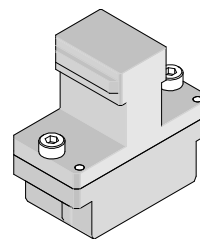


**IMPEL
Backplane Module
Installation
Press-In Tool**



**Application Tooling
Specification Sheet**



Order No. 62201-8969

FEATURES

- Polarized tool prevents product damage
- Tool provides uniform distribution of press force across entire pin array
- May be used as a stand-alone tool or mounted in an optional holder with other Molex press-in tools

SCOPE

Products: IMPEL 3mm pitch Backplane Assembly, (6-Pair by 8 Column Assemblies).
See Product List below for specific part numbers.

Product List

The following is a partial list of the product order numbers and their specifications this tool is designed to run. Updates to this list are available on www.molex.com.

Series	Column	Guide Style	Backplane Header Order No.					
			171755	8	Unguided	171755-1804	171755-1805	171755-1807
		Left	171755-3804	171755-3805	171755-3807	171755-3808	171755-3814	171755-3815
			171755-3817	171755-3818	171755-3824	171755-3825	171755-3827	171755-3828
			171755-3834	171755-3835	171755-3837	171755-3838	171755-3844	171755-3845
			171755-3847	171755-3848	171755-3854	171755-3855	171755-3857	171755-3858
			171755-3864	171755-3865	171755-3867	171755-3868	171755-3874	171755-3875
			171755-3877	171755-3878	171755-3884	171755-3885	171755-3887	171755-3888
		Right	171755-5804	171755-5805	171755-5807	171755-5808	171755-5814	171755-5815
			171755-5817	171755-5818	171755-5824	171755-5825	171755-5827	171755-5828
			171755-5834	171755-5835	171755-5837	171755-5838	171755-5844	171755-5845
			171755-5847	171755-5848	171755-5854	171755-5855	171755-5857	171755-5858
			171755-5864	171755-5865	171755-5867	171755-5868	171755-5874	171755-5875
			171755-5877	171755-5878	171755-5884	171755-5885	171755-5887	171755-5888

Tool Setup

Depending on the number of connectors to be installed and/or the press used, this tool can be used alone or with a group of press-in tools, mounted in a 62201-95XX rail (ordered separately). See Figure 1.

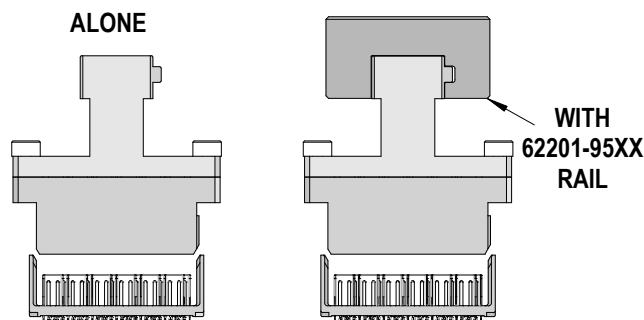


Figure 1

Tool Installation

The 62201-95XX rail is available in a variety of lengths to accommodate multiple press-in tools.

Rail Part Number	Rail Overall Length
62201-9501	24mm (0.94 in)
62201-9502	72mm (2.83 in)
62201-9503	156mm (6.14 in)
62201-9504	216mm (8.50 in)
62201-9509	254mm (10.0 in)
62201-9511	305mm (12.0 in)

Reference: This Press-In Tool is 23.8mm (0.94 in.) long.

Printed Circuit Board (PCB) Support

The IMPEL connectors require up to 3.6kg (8 lb) of force per pin to press into the PCB. To prevent excessive PCB flexure and/or damage to the PCB, a support plate is strongly recommended directly beneath the connector hole pattern.

Due to the custom nature of every application, Molex does not offer any PCB support plate. The customer must furnish their own support plate.

When creating the PCB support plate, remember to allow clearance for the connector pins as they pass through the PCB thickness.

Press Equipment Recommendations

Many types of presses can be used to install IMPEL connectors, but to assure consistent connector installation Molex recommends the following press criteria:

1. The capability to detect force variations as low as 4.5kg (10 lb) during the press-in cycle; excessive force measurements should stop the press-in cycle.
2. The rate of pressing can be regulated as low as 0.13mm (0.005 in) per second.
3. Press stroke control to within 0.25mm (0.010 in).
4. Total press stroke must be at least 19mm (0.75 in).
5. For statistical purposes, automatic collection of force and distance data.

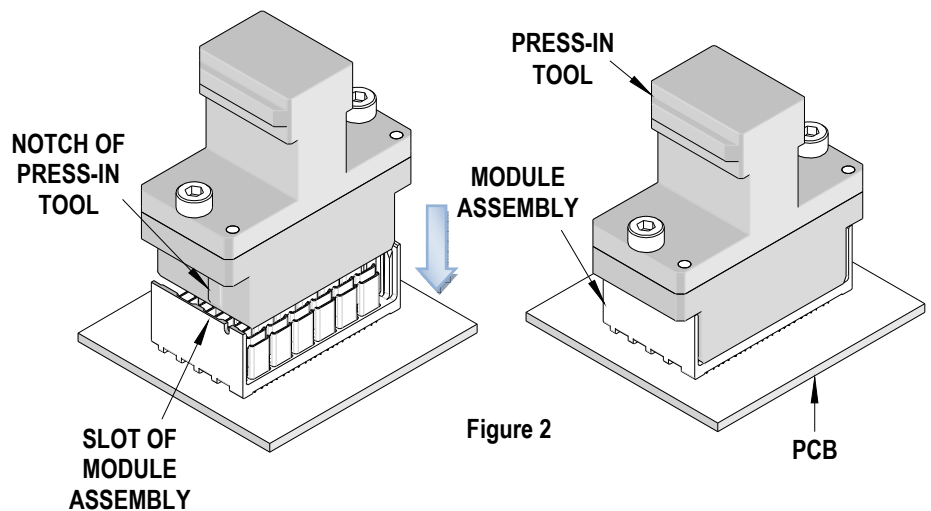


Figure 2

Tool Operation

1. Insert by hand the backplane signal module assembly (s) carefully into the PCB hole pattern. Make sure the connector(s) are oriented properly by confirming the location of the #1 circuit notch with respect to the PCB layout.
2. Insert the Press-In Tool making sure that the notch in this tool is inserted into the slot on top of the connector housing of the backplane signal module assembly. See Figure 2.
3. Using the application tool and an appropriate press, seat the header assembly until there is less than 0.10mm (.004 in) clearance between the bottom of the plastic housing and the surface of the PCB. See Figure 3.

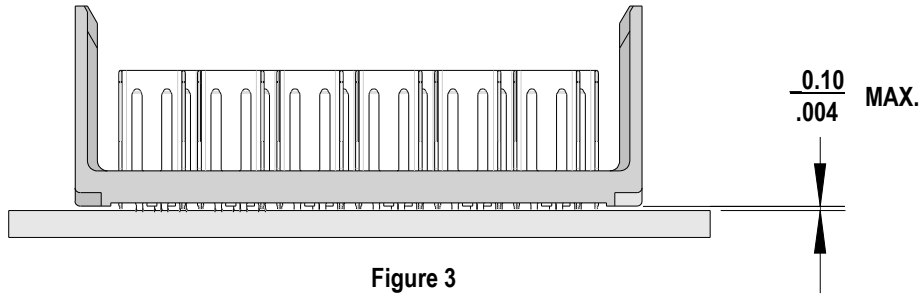


Figure 3

There should be no broken stand-offs along the perimeter of the part (an indication of over-pressing).

CAUTION: To prevent injury, never operate any press without the guards in place. Refer to the press manufacturer's instruction manual.

CAUTION: Molex application tooling specifications are valid only when used with Molex connectors and tooling.

Contact Information

For more information on Molex application tooling please contact Molex at 1-800-786-6539.

Visit our Web site at <http://www.molex.com>