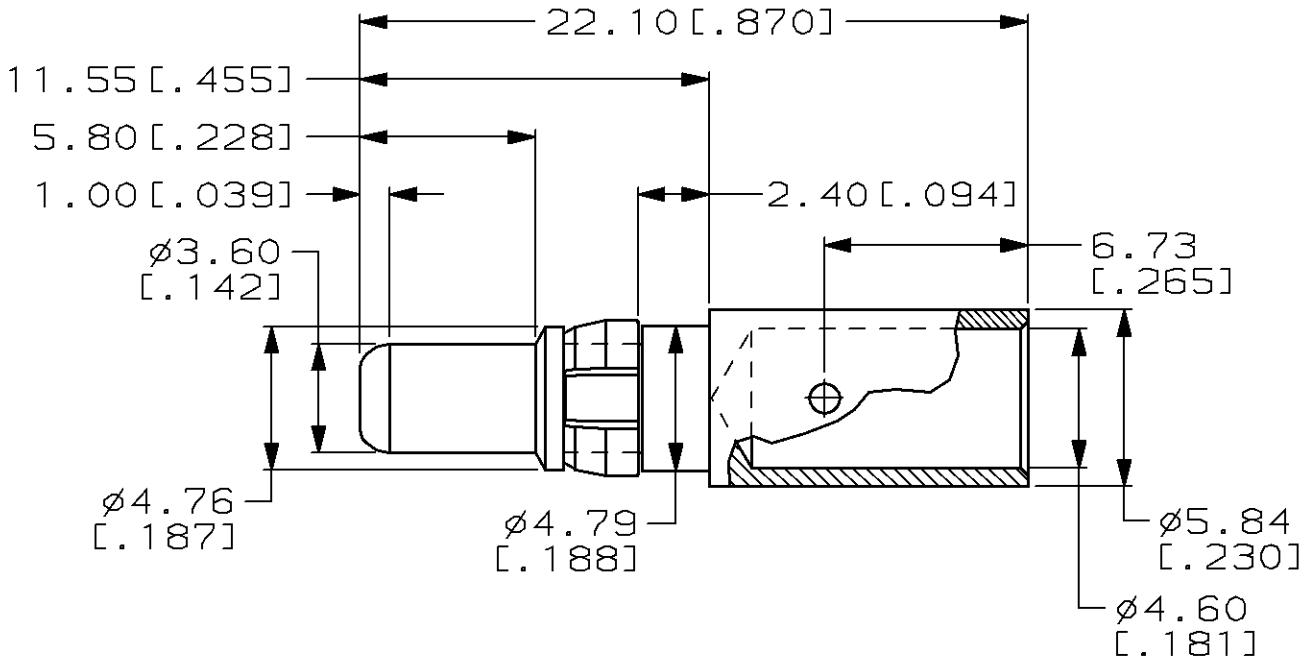


LOC AD	DIST 25	REVISIONS				
P	LTR	DESCRIPTION	DATE	DWN	APVD	
	0	DRAWN	-	-	-	

1. WIRE BARREL WILL ACCEPT 8 AWG WIRE.
2. MATES WITH PART NUMBER 148432-1.
3. RECOMMENDED CRIMPING TOOL: DANIELS TOOL #M300-BT, POSITIONER PART NUMBER SP689, SETTING #7, STRIP LENGTH 8.13 [.320].



RELEASED FOR PUBLICATION

THIS DRAWING IS UNPUBLISHED.

ALL RIGHTS RESERVED. BY AMP INCORPORATED. COPYRIGHT 19

0.00076 [.000030] GOLD	CONTACT; BERYLLIUM COPPER RETAINING RING; BERYLLIUM COPPER	148430-1
FINISH	MATERIAL	PART NUMBER

DIMENSIONS: mm	DWN L. BRINER	9/23/98	MATERIAL	-	FINISH	-
	CHK R. PATTERSON	9/23/98	AMP Incorporated Harrisburg, PA 17105-3608			
TOLERANCES UNLESS OTHERWISE SPECIFIED:	APVD R. PATTERSON	9/23/98				
0 PLC ±-	PRODUCT SPEC	-	NAME POWER CONTACT, MALE CRIMP, AWG 8, (40 AMP)			
1 PLC ±-	APPLICATION SPEC	-	SIZE	CAGE CODE	DRAWING NO	RESTRICTED TO
2 PLC ±0.13 [.005]	-	-	A4	00779	C- 148430	-
3 PLC ±-	WEIGHT	-	CUSTOMER DRAWING			
4 PLC ±-	-	-	SCALE	4:1	SHEET	1 OF 1
ANGLES ±-			REV 0			