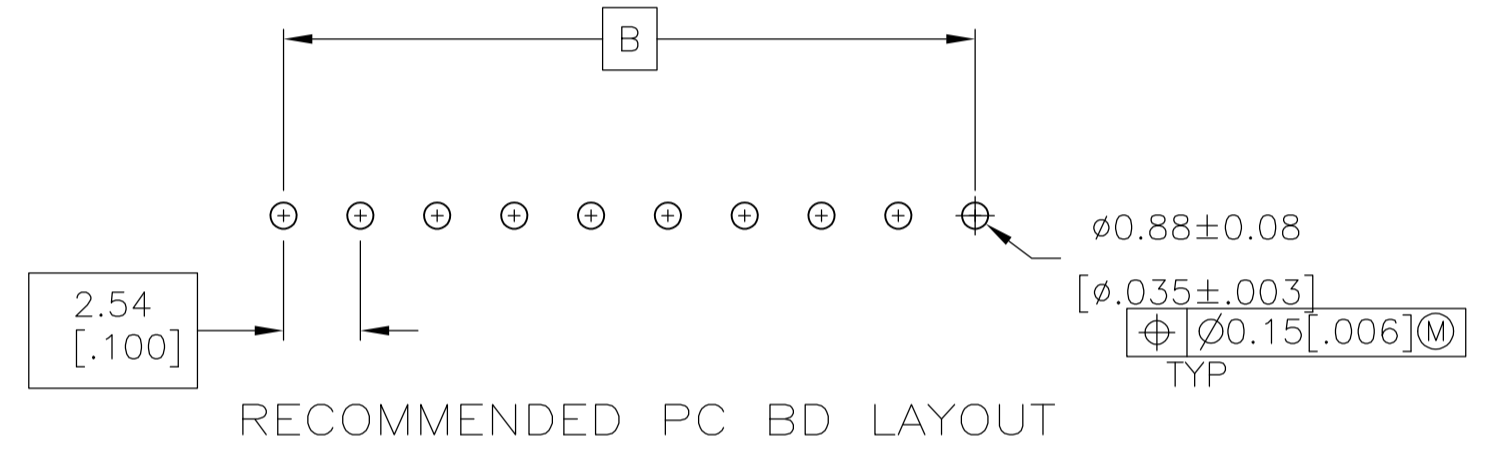
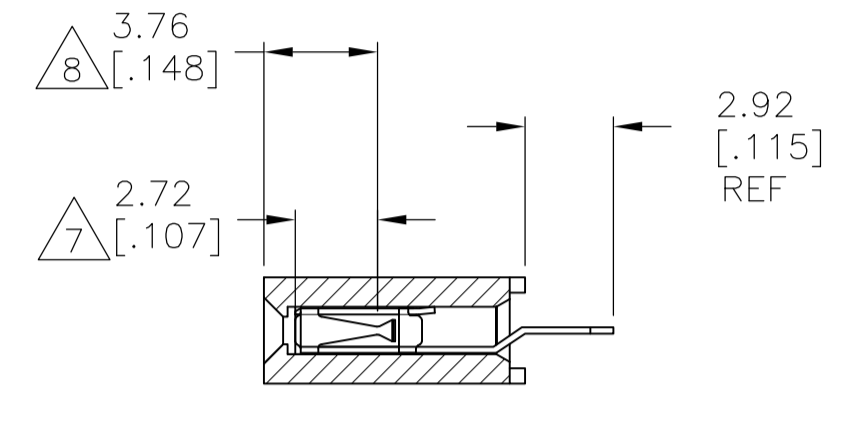
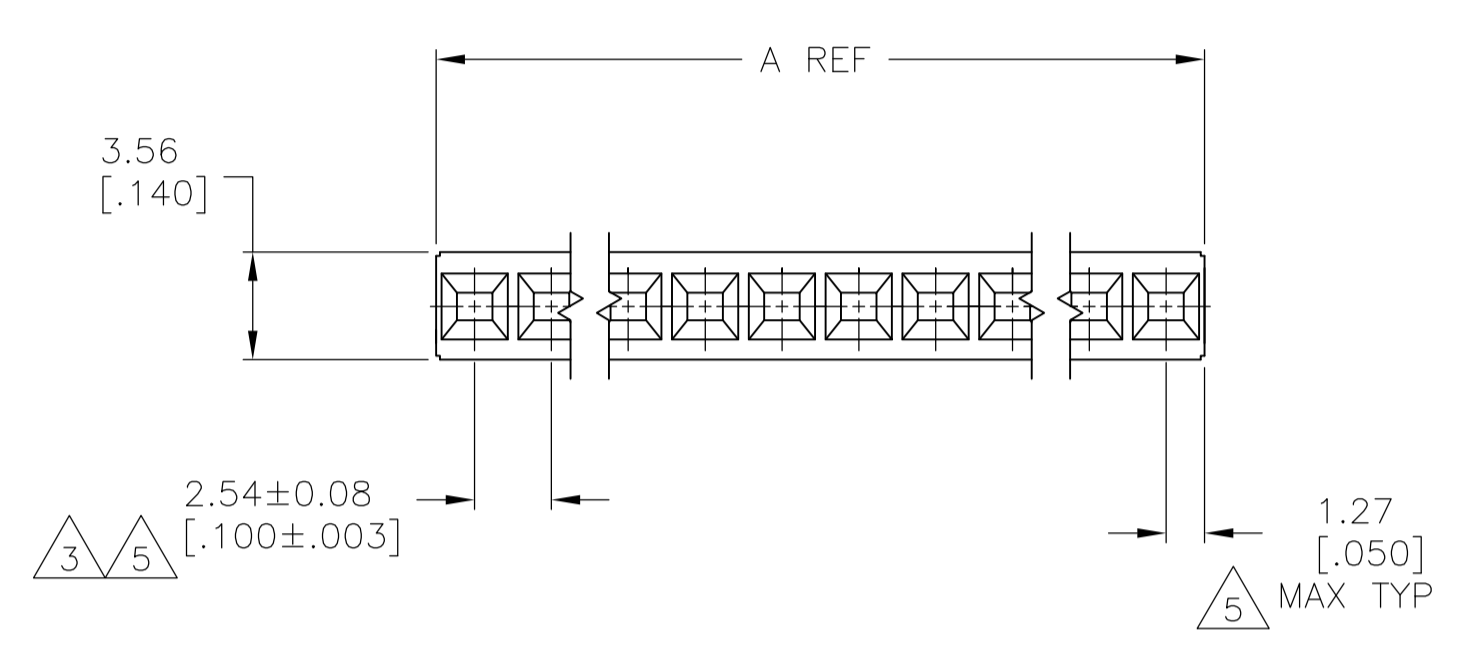
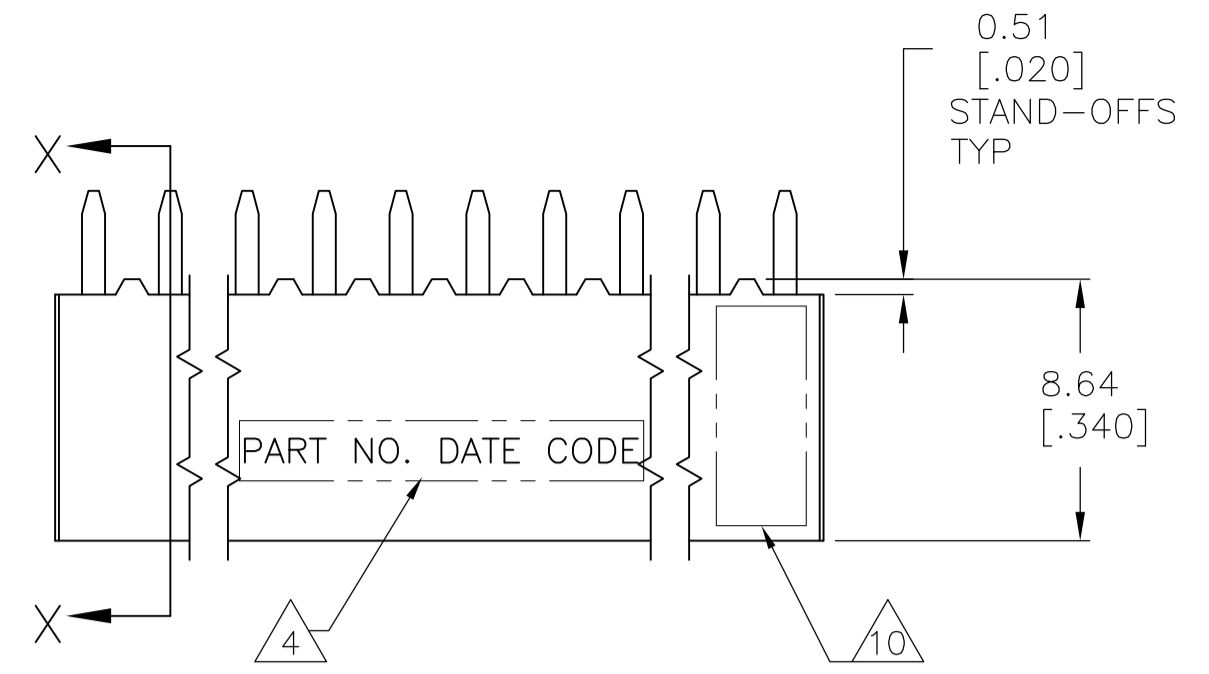


LOC	DIST	REVISIONS					
AD	00	P	LTR	DESCRIPTION	DATE	DMN	APVD
		K5	REVISED PER	ECO-13-005565	29MAR13	KH	JO



- 1 HOUSING: FLAME RETARDANT, GLASS FILLED, POLYESTER, COLOR: BLACK.
CONTACT: PHOSPHOR BRONZE
- 2 CONTACT: DUPLEX PLATED 0.25μm[.000010] MIN GOLD IN CONTACT
AREA, 3.81-7.62μm[.000150-.000300] BRIGHT TIN-LEAD ON LEADS
ALL OVER 1.27μm[.000050] MIN NICKEL
- 3 THESE DIMENSIONS PERTAIN TO CAVITY CENTERLINES ONLY - NOT TO
CONTACT LOCATIONS
- 4 MARK PART NUMBER AND DATE CODE IN APPROXIMATE LOCATION SHOWN, EITHER SIDE.
- 5 TOLERANCE IS NON-CUMULATIVE.
- 6 2 POSITION DATE CODE IS MARKED OPPOSITE SIDE OF TE LOGO.
- 7 POINT-OF-MEASUREMENT DIMENSION FOR PLATING
THICKNESS (INSIDE CONTACT BEAM).
- 8 POINT-OF-CONTACT DIMENSION.
- 9 NO PART NUMBER MARKING REQUIRED FOR THIS PART.
- 10 TE LOGO AND CSA LOGO ARE MOLDED INTO HOUSING.
- 11 CONTACT: DUPLEX PLATED 0.25μm[.000010] MIN GOLD IN CONTACT
AREA, 3.81-7.62μm[.000150-.000300] MATTE TIN ON LEADS
ALL OVER 1.27μm[.000050] MIN NICKEL
- 12 ROHS 2002/95/EC COMPLIANT

OBSOLETE	OBSOLETE	-2.54	[.100]	5.08	[.200]	2		8-146386-9
		99.06	[3.900]	101.60	[4.000]	40		8-146386-8
		96.52	[3.800]	99.06	[3.900]	39		8-146386-7
		93.98	[3.700]	96.52	[3.800]	38		8-146386-6
		91.44	[3.600]	93.98	[3.700]	37		8-146386-5
		86.36	[3.400]	88.90	[3.500]	35		8-146386-4
		83.82	[3.300]	86.36	[3.400]	34		8-146386-3
		78.74	[3.100]	81.28	[3.200]	32		8-146386-2
		71.12	[2.800]	73.66	[2.900]	29		8-146386-1
		68.58	[2.700]	71.12	[2.800]	28		8-146386-0
		66.04	[2.600]	68.58	[2.700]	27		7-146386-9
		60.96	[2.400]	63.50	[2.500]	25		7-146386-8
		58.42	[2.300]	60.96	[2.400]	24		7-146386-7
		55.88	[2.200]	58.42	[2.300]	23		7-146386-6
		50.80	[2.000]	53.34	[2.100]	21		7-146386-5
		45.72	[1.800]	48.26	[1.900]	19		7-146386-4
		43.18	[1.700]	45.72	[1.800]	18		7-146386-3
		40.64	[1.600]	43.18	[1.700]	17		7-146386-2
		38.10	[1.500]	40.64	[1.600]	16		7-146386-1
		35.56	[1.400]	38.10	[1.500]	15		7-146386-0
		7.62	[.300]	10.16	[.400]	4		6-146386-9
		73.66	[2.900]	76.20	[3.000]	30		6-146386-8
		88.90	[3.500]	91.44	[3.600]	36		6-146386-7
		81.28	[3.200]	83.82	[3.300]	33		6-146386-6
		76.20	[3.000]	78.74	[3.100]	31		6-146386-5
		63.50	[2.500]	66.04	[2.600]	26		6-146386-4
		53.34	[2.100]	55.88	[2.200]	22		6-146386-3
		48.26	[1.900]	50.80	[2.000]	20		6-146386-2
		33.02	[1.300]	35.56	[1.400]	14		6-146386-1
		30.48	[1.200]	33.02	[1.300]	13		6-146386-0
		27.94	[1.100]	30.48	[1.200]	12		5-146386-9
		25.40	[1.000]	27.94	[1.100]	11		5-146386-8
		22.86	[.900]	25.40	[1.000]	10		5-146386-7
		20.32	[.800]	22.86	[.900]	9		5-146386-6
		17.78	[.700]	20.32	[.800]	8		5-146386-5
		15.24	[.600]	17.78	[.700]	7		5-146386-4
		12.70	[.500]	15.24	[.600]	6		5-146386-3
		10.16	[.400]	12.70	[.500]	5		5-146386-2
		5.08	[.200]	7.62	[.300]	3		5-146386-1

SUPERSEDED 7-146386-8

SUPERSEDED 5-146386-3

SUPERSEDED 5-146386-1

OBSOLETE	-2.54	[.100]	5.08	[.200]	2	6	3-146386-9
	99.06	[3.900]	101.60	[4.000]	40		3-146386-8
	96.52	[3.800]	99.06	[3.900]	39		3-146386-7
	93.98	[3.700]	96.52	[3.800]	38		3-146386-6
	91.44	[3.600]	93.98	[3.700]	37		3-146386-5
	86.36	[3.400]	88.90	[3.500]	35		3-146386-4
	83.82	[3.300]	86.36	[3.400]	34		3-146386-3
	78.74	[3.100]	81.28	[3.200]	32		3-146386-2
	71.12	[2.800]	73.66	[2.900]	29		3-146386-1
	68.58	[2.700]	71.12	[2.800]	28		3-146386-0
	66.04	[2.600]	68.58	[2.700]	27		2-146386-9
	60.96	[2.400]	63.50	[2.500]	25		2-146386-8
	58.42	[2.300]	60.96	[2.400]	24		2-146386-7
	55.88	[2.200]	58.42	[2.300]	23		2-146386-6
	50.80	[2.000]	53.34	[2.100]	21		2-146386-5
	45.72	[1.800]	48.26	[1.900]	19		2-146386-4
	43.18	[1.700]	45.72	[1.800]	18		2-146386-3
	40.64	[1.600]	43.18	[1.700]	17		2-146386-2
	38.10	[1.500]	40.64	[1.600]	16		2-146386-1
	35.56	[1.400]	38.10	[1.500]	15		2-146386-0
	7.62	[.300]	10.16	[.400]	4		1-146386-9
	73.66	[2.900]	76.20	[3.000]	30		1-146386-8
	88.90	[3.500]	91.44	[3.600]	36		1-146386-7
	81.28	[3.200]	83.82	[3.300]	33		1-146386-6
	76.20	[3.000]	78.74	[3.100]	31		1-146386-5
	63.50	[2.500]	66.04	[2.600]	26		1-146386-4
	53.34	[2.100]	55.88	[2.200]	22		1-146386-3
	48.26	[1.900]	50.80	[2.000]	20		1-146386-2
	33.02	[1.300]	35.56	[1.400]	14		1-146386-1
	30.48	[1.200]	33.02	[1.300]	13		1-146386-0
	27.94	[1.100]	30.48	[1.200]	12		146386-9
	25.40	[1.000]	27.94	[1.100]	11		146386-8
	22.86	[.900]	25.40	[1.000]	10		146386-7
	20.32	[.800]	22.86	[.900]	9		146386-6
	17.78	[.700]	20.32	[.800]	8		146386-5
	15.24	[.600]	17.78	[.700]	7		146386-4
	12.70	[.500]	15.24	[.600]	6		146386-3
	10.16	[.400]	12.70	[.500]	5		146386-2
	5.08	[.200]	7.62	[.300]	3		146386-1

THIS DRAWING IS A CONTROLLED DOCUMENT.			DIN	M. BINNER	OSNOV02
DIMENSIONS: mm [NCHES]			CHK	J. OLSON	OSNOV02
TOLERANCES UNLESS OTHERWISE SPECIFIED:			APVD	J. OLSON	OSNOV02
0 PLC ± -			NAME		
1 PLC ± -			RECT.ASSY. MOD IV, SINGLE ROW, .100CL,		
2 PLC ± 0.25(.010)			108-25022		
3 PLC ± 0.13(.005)			APPLICATION SPEC		
4 PLC ± -			SIZE	CAGE CODE	DRAWING NO
ANGLES ± -			A1	00779	146386
MATERIAL			WEIGHT		
FINISH			RESTRICTED TO		
SEE TABLE			CUSTOMER DRAWING		
SCALE: 4:1			SHEET 1 of 1		
REV: K5			REV: K5		

ST TE Connectivity