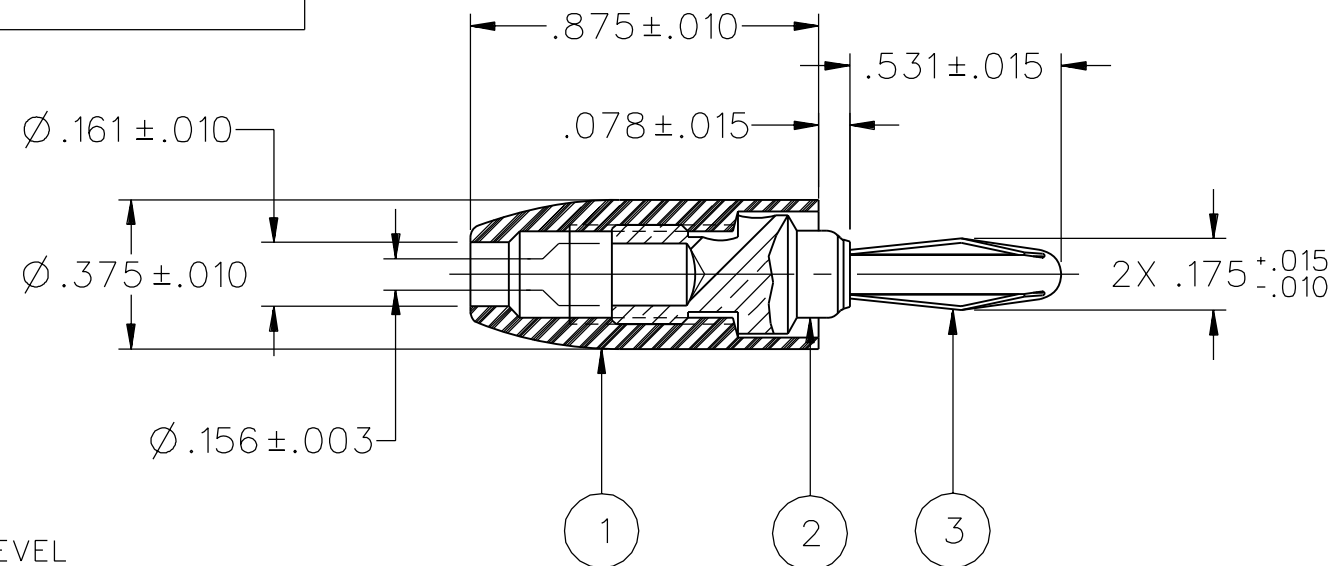


PART NUMBER	ITEM ① HANDLE	COLOR	ITEM ② BODY	ITEM ③ CONTACT SPRING
108-0301-001	NYLON	WHITE	BRASS NICKEL PL .0001 MIN	NICKEL SILVER NICKEL PL .0001 MIN
108-0302-001		RED		
108-0303-001		BLACK		
108-0304-001		GREEN		
108-0305-001				
108-0306-001		ORANGE		
108-0307-001		YELLOW		
108-0308-001		BROWN		
108-0309-001				
108-0310-001		BLUE		
108-0311-001				
108-0312-001		VIOLET		
108-0313-001		GRAY		
108-0314-001				
108-0315-001				
108-0316-001				
108-0317-001				
108-0318-001				
108-0319-001				
108-0320-001				



NOTES:

1. SPECIFICATIONS:

ELECTRICAL:

CURRENT RATING: 15 AMPS DC MINIMUM
 DIELECTRIC WITHSTANDING VOLTAGE: 3500 VRMS MIN AT SEA LEVEL
 RECOMMENDED WORKING VOLTAGE: 1750 VRMS MAX AT SEA LEVEL
 INSULATION RESISTANCE: 5000 MEGOHMS MIN
 CONTACT RESISTANCE: 10 MILLIOHMS MAXIMUM

MECHANICAL:

INSERTION/WITHDRAWL FORCE: 1.0 - 12.0 POUNDS
 CONTACT SPRING RETENTION FORCE: 15 LBS MINIMUM
 WIRE ACCEPTABILITY: 16 AWG OR SMALLER
 WIRE ATTACHMENT: SOLDER OR SOLDERLESS, SCREW DOWN HANDLE
 MATING BANANA JACK DIAMETER: .166 NOMINAL
 DURABILITY: 1000 CYCLES MINIMUM

ENVIRONMENTAL:

(MEETS OR EXCEEDS THE APPLICABLE PARAGRAPH OF MIL-C-28901)
 OPERATING TEMPERATURE: -55 DEG C TO 85 DEG C.
 TEMPERATURE RISE AT RATED CURRENT: 10 DEG C MAXIMUM
 CORROSION: MIL-STD-1344, METHOD 1001, CONDITION B
 SHOCK: MIL-STD-1344, METHOD 2004, CONDITION G
 VIBRATION: MIL-STD-1344, METHOD 2005, CONDITION I
 HUMIDITY: MIL-STD-1344, METHOD 1002, CONDITION B

DRAWING NO. B-108-0301/0320-001

0	REVISIONS	
ENGINEERING RELEASE		
12a	9-10-94	R H S W T R P 9-23-94 H C K J B A ECN 42647
CHANGED: 15 LBS RETENTION FORCE WAS 25 LBS		
12b	10-22-96	R H R J B A ECN 44343
CHANGED: DIA .161+- .010 WAS DIA .161+- .005		
***** * REVISION NUMBER FOLLOWED BY AN ALPHA * * CHARACTER INDICATES DRAWING CLARIFI- * * CATION OR PART NUMBER ADDITION ONLY. * *****		
12c	11-4-99	R H R J B A ECN 46830

CUSTOMER DRAWING

THIS DRAWING TO BE INTERPRETED PER ASME Y 14.5M - 1994

"μSTATION"

COMPANY CONFIDENTIAL

TOLERANCE UNLESS OTHERWISE SPECIFIED	DRAWN BY SWC	DATE 4-4-94
DECIMALS	CHECKED BY TAK	DATE 9-19-94
.XX	APPROVED BY RJB	DATE 9-20-94
.XXX	RELEASE DATE	9-23-94
MATL	U/M	INCH
FINISH	SCALE	2:1



Cinch Connectivity Solutions
 P.O. Box 1732
 Waseca, MN 56093
 1-800-247-8256

TITLE
 ASSEMBLY, BANANA PLUG
 INSULATED HANDLE, ROUND BODY,
 SOLDER OR SOLDERLESS BACKHOLE

SHEET 2 OF 2
 DRAWING NO. B-108-0301/0320-001