

DETAILS

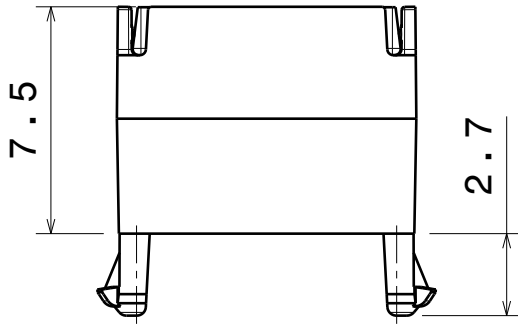
Product Number	CP12947_LARISA-WW-CLIP16
Family	Larisa
Type	Assembly
Color	black
Diameter	10x10 mm
Height	7,5 mm
Style	square
Optic Material	PMMA
Holder Material	
Fastening	glue, clips
Status	production ready
ROHS Compliant	Yes
Date Updated	3/02/2017



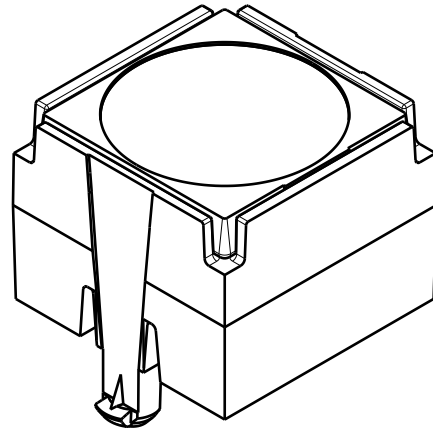
OPTICAL PROPERTIES

LED	Viewing Angle	Light Beam	Efficiency	cd/lm	Connector
XB-D	57 deg	Very Wide	84 %	0.900	-
LUXEON Rebel	62 deg	Very Wide	88 %	0.900	-
LUXEON A	70 deg	Very Wide	85 %	0.700	-
LUXEON Rebel ES	60 deg	Very Wide	86 %	0.900	-
NCSxx19A	52 deg	Very Wide	83 %	1.000	-
NVSxx19A	57 deg	Very Wide	82 %	0.900	-
Oslon SSL 80	66 deg	Very Wide	84 %	0.900	-
Duris S5 (2 chip)	50 deg	Very Wide	86 %	1.200	-

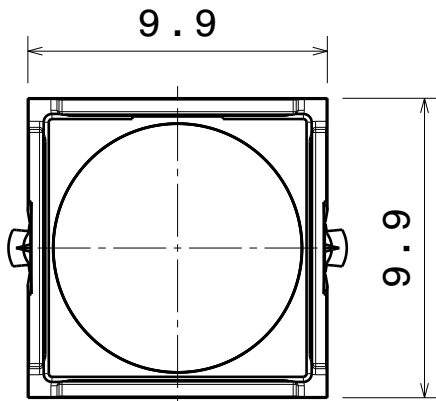
Designed for the following pin hole dimensions:
 Hole diameter 1.95mm
 Hole distance 8.6mm
 PCB thickness 1.6mm



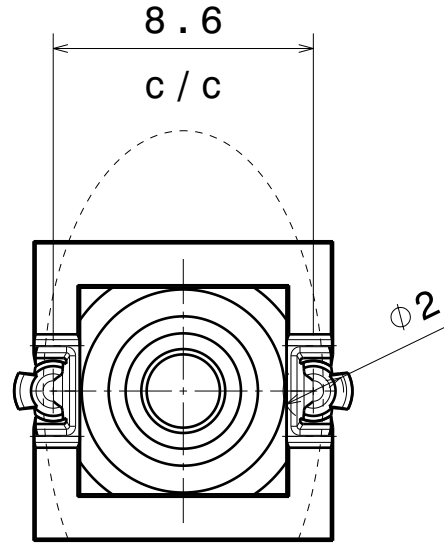
Front view



Isometric view
 Scale: 4:1



Top view



Bottom view

Oval beam direction

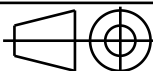
INDEX	PART NO	DESCRIPTION	MATERIAL	COLOUR
1	-	LARISA lens	PMMA	
2	C12908	LARISA-HOLDER-CLIP16	PC	black

Tolerances if not otherwise shown
 According to DIN ISO 2768-1
 Linear measures:
 Up to 30mm class M, otherwise class C.
 According to DIN ISO 2768-2
 Form and position: class L

LEDiL

Ledil Oy
 Salorankatu 10
 FIN 24240 SALO
 Finland

THIRD ANGLE PROJECTION:



DRAWING TITLE

LARISA-CLIP16 series

This drawing is the property of LEDiL Oy. It may not be reproduced, copied or communicated without a written agreement with LEDiL Oy.

SIZE PART NUMBER

A4

-

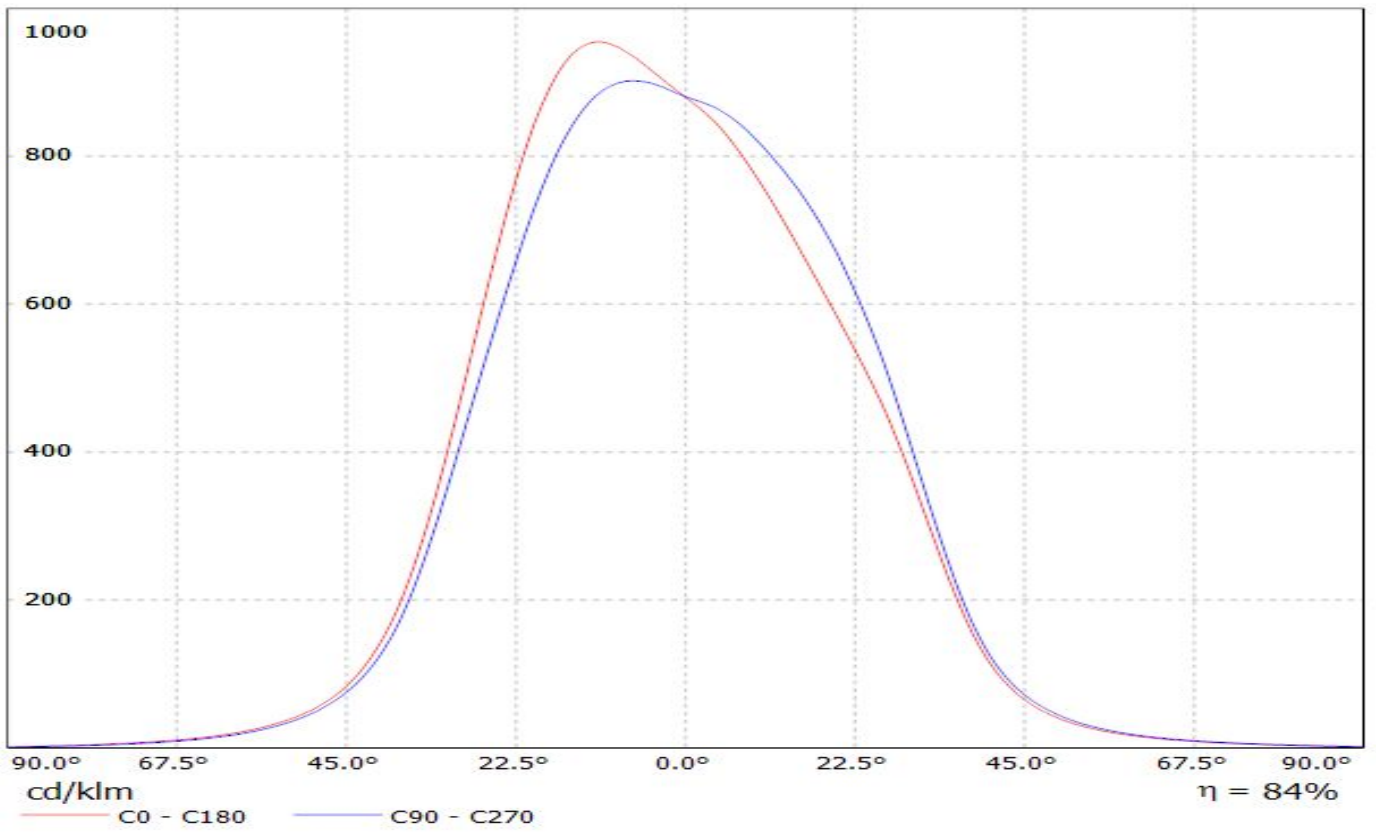
SCALE 4:1 WEIGHT 0,6 g SHEET 1/1

D

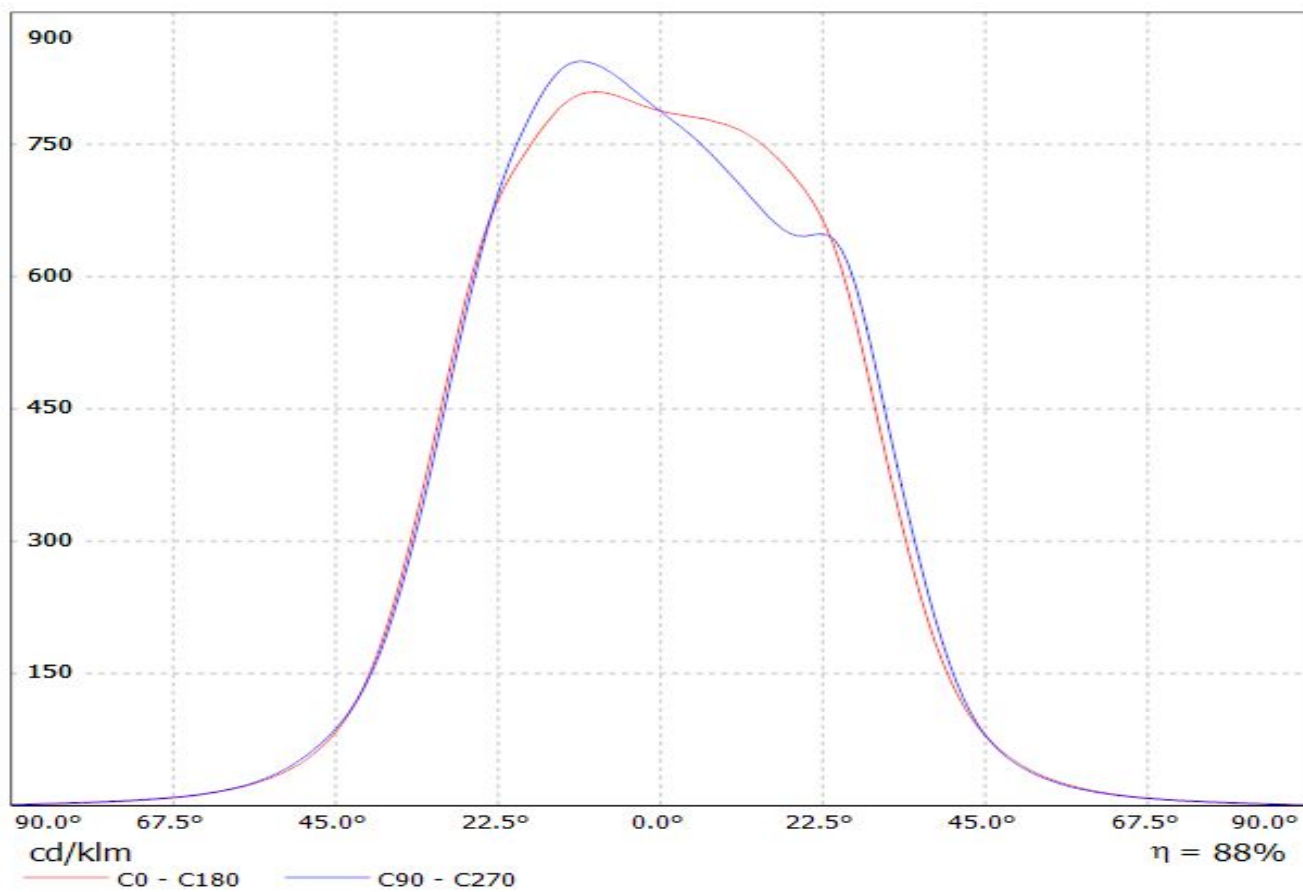
A

LEDiL Oy C12913_LARISA-WW_(XB-D) Eff.84.3% / LDC (Linear)

Luminaire: LEDiL Oy C12913_LARISA-WW_(XB-D) Eff.84.3%
Lamps: 1 x CREE XB-D (92.2lm@250mA)



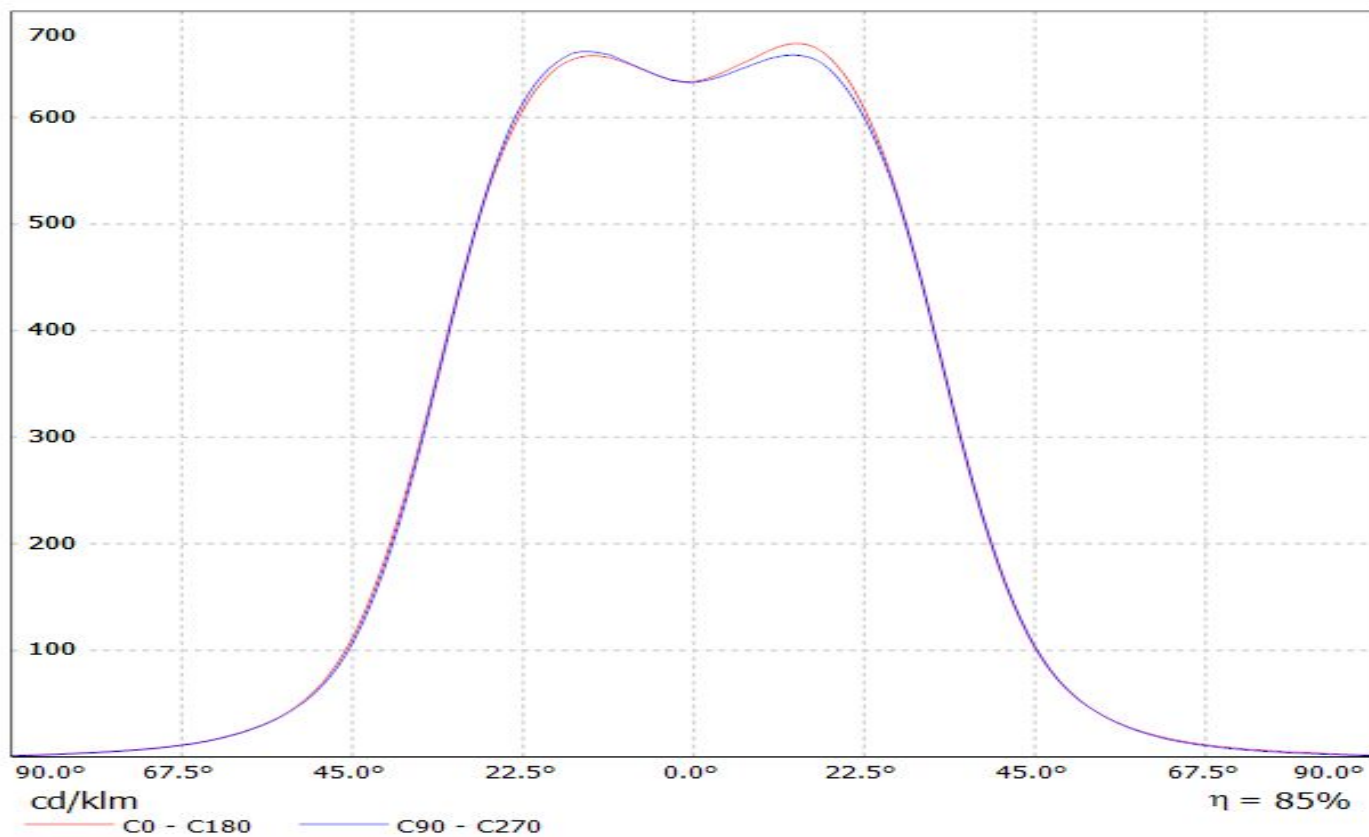
Luminaire: LEDiL Oy LARISA-WW_Rebel_(CLIP8&CLIP16) Eff.87.5%
Lamps: 1 x Rebel (80.8775lm@250mA)



LEDiL Oy C12913_LARISA-WW_(Luxeon_A) Eff.85.5% / LDC (Linear)

Luminaire: LEDiL Oy C12913_LARISA-WW_(Luxeon_A) Eff.85.5%

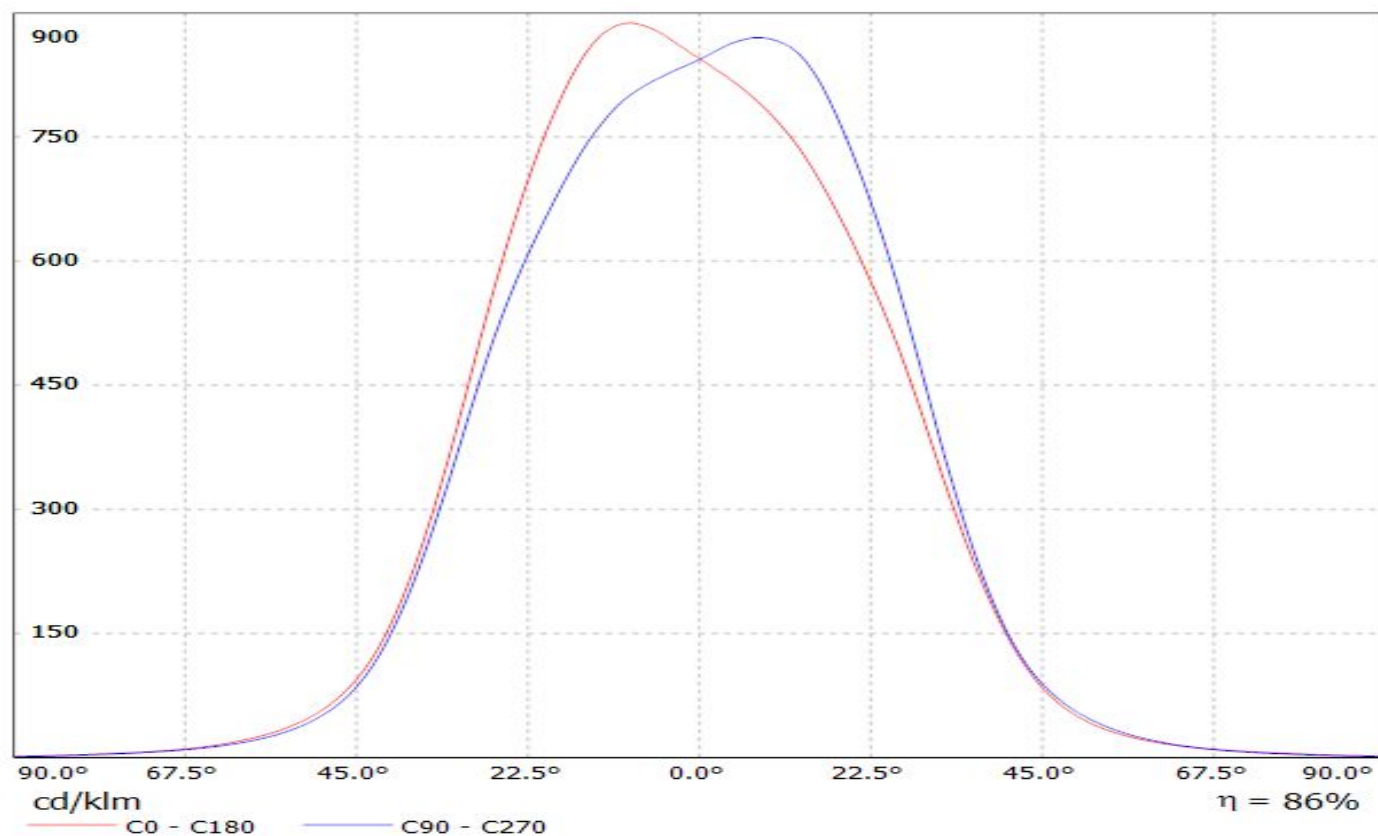
Lamps: 1 x Luxeon_A (66.4lm@250mA)



LEDiL Oy C12913_LARISA-WW_(Rebel_ES) Eff.86.4% / LDC (Linear)

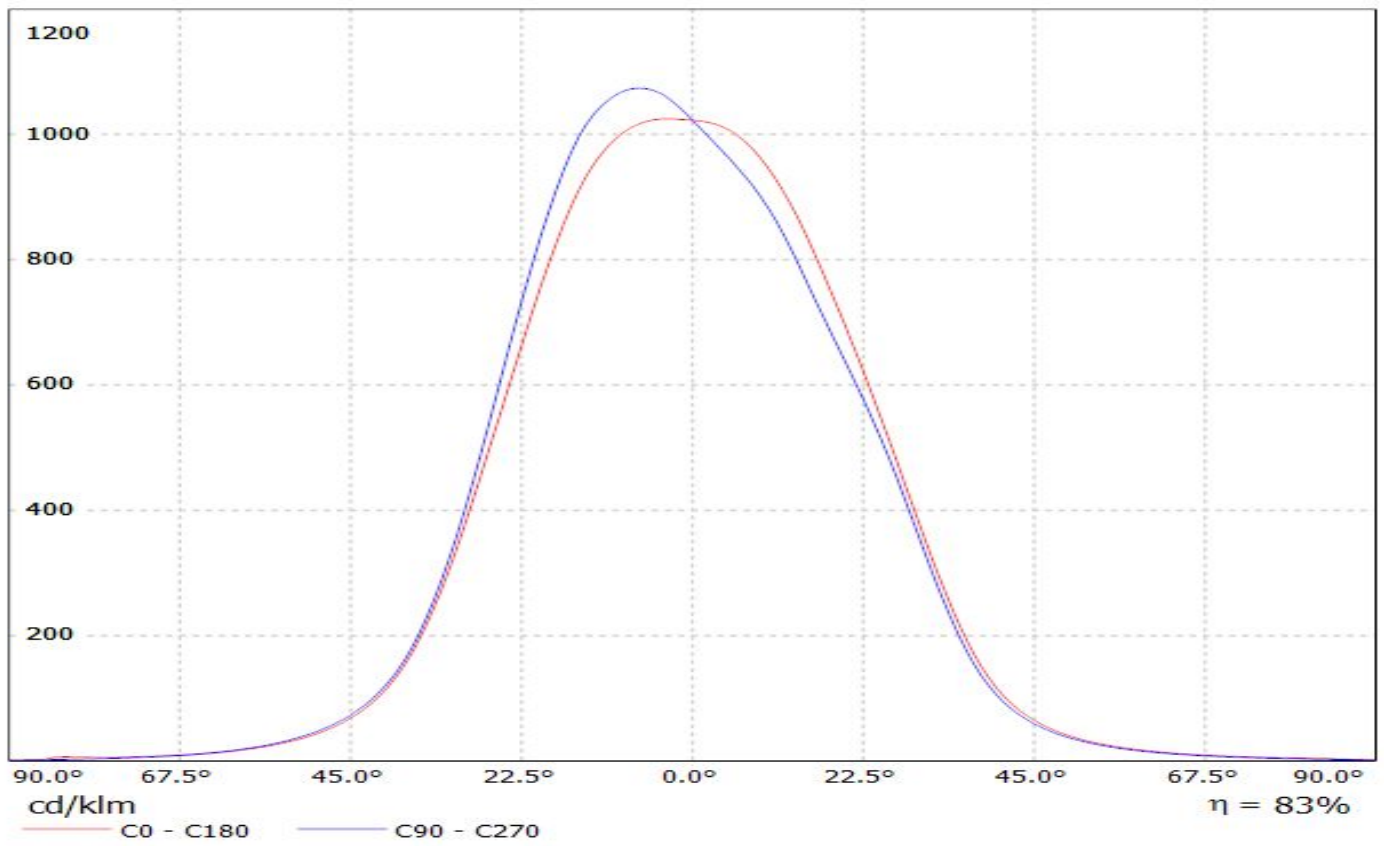
Luminaire: LEDiL Oy C12913_LARISA-WW_(Rebel_ES) Eff.86.4%

Lamps: 1 x Rebel ES (91.8116lm@250mA)



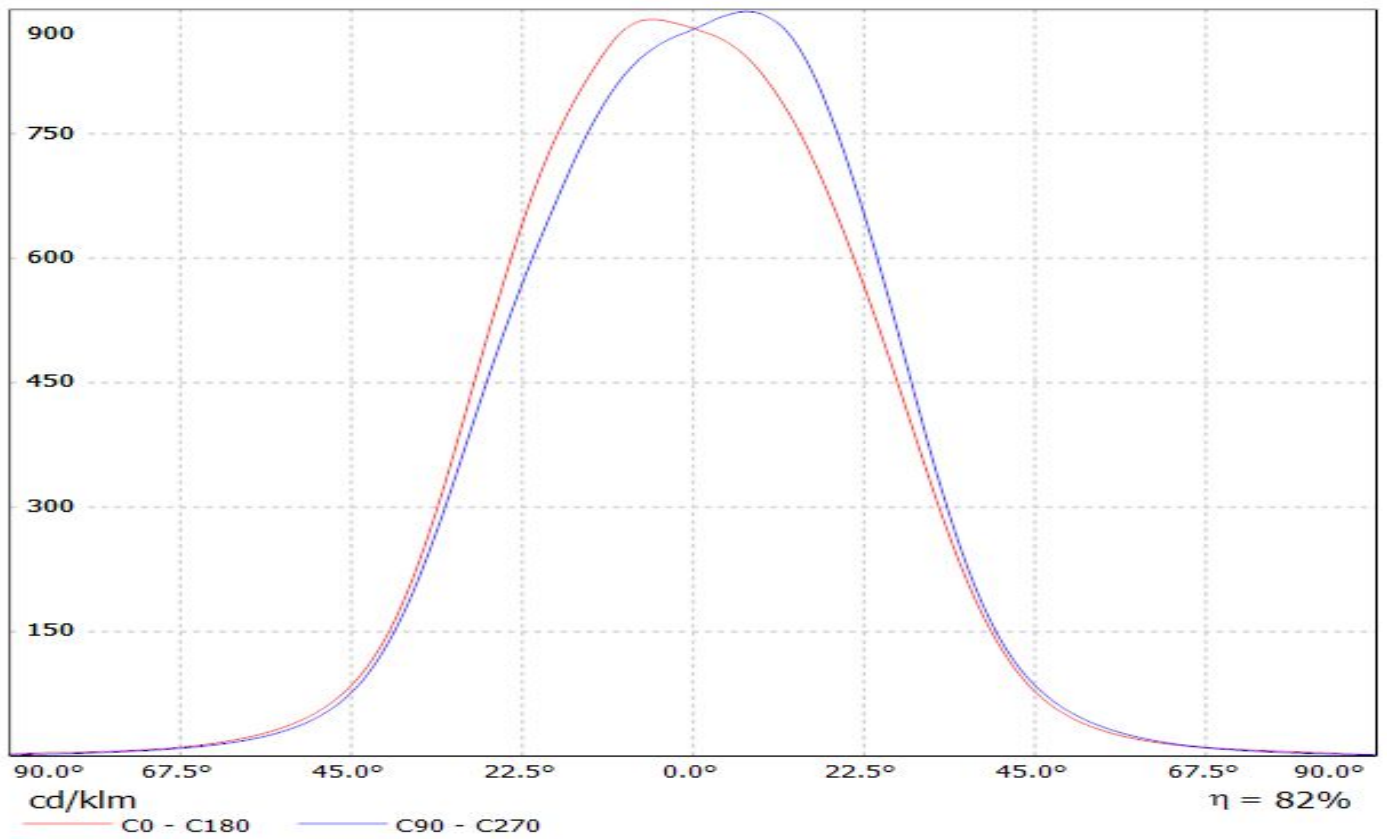
LEDiL Oy C12913_LARISA-WW_(NCS19) Eff.83.4% / LDC (Linear)

Luminaire: LEDiL Oy C12913_LARISA-WW_(NCS19) Eff.83.4%
Lamps: 1 x Nichia NCS19 (88lm@250mA)



LEDiL Oy C12913_LARISA-WW_(NVS19) Eff.82.3% / LDC (Linear)

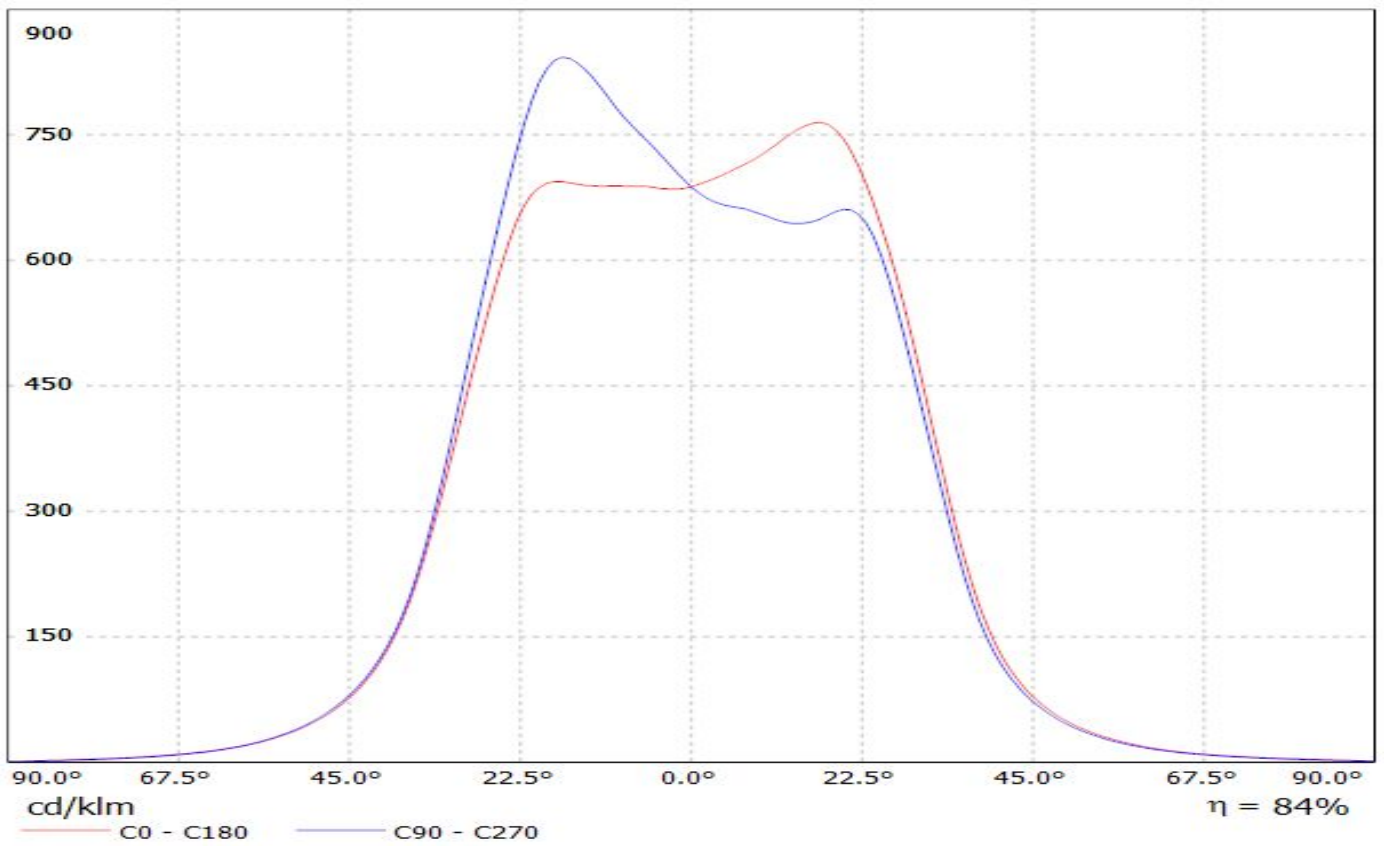
Luminaire: LEDiL Oy C12913_LARISA-WW_(NVS19) Eff.82.3%
Lamps: 1 x Nichia NVS19 (97.5lm@250mA)



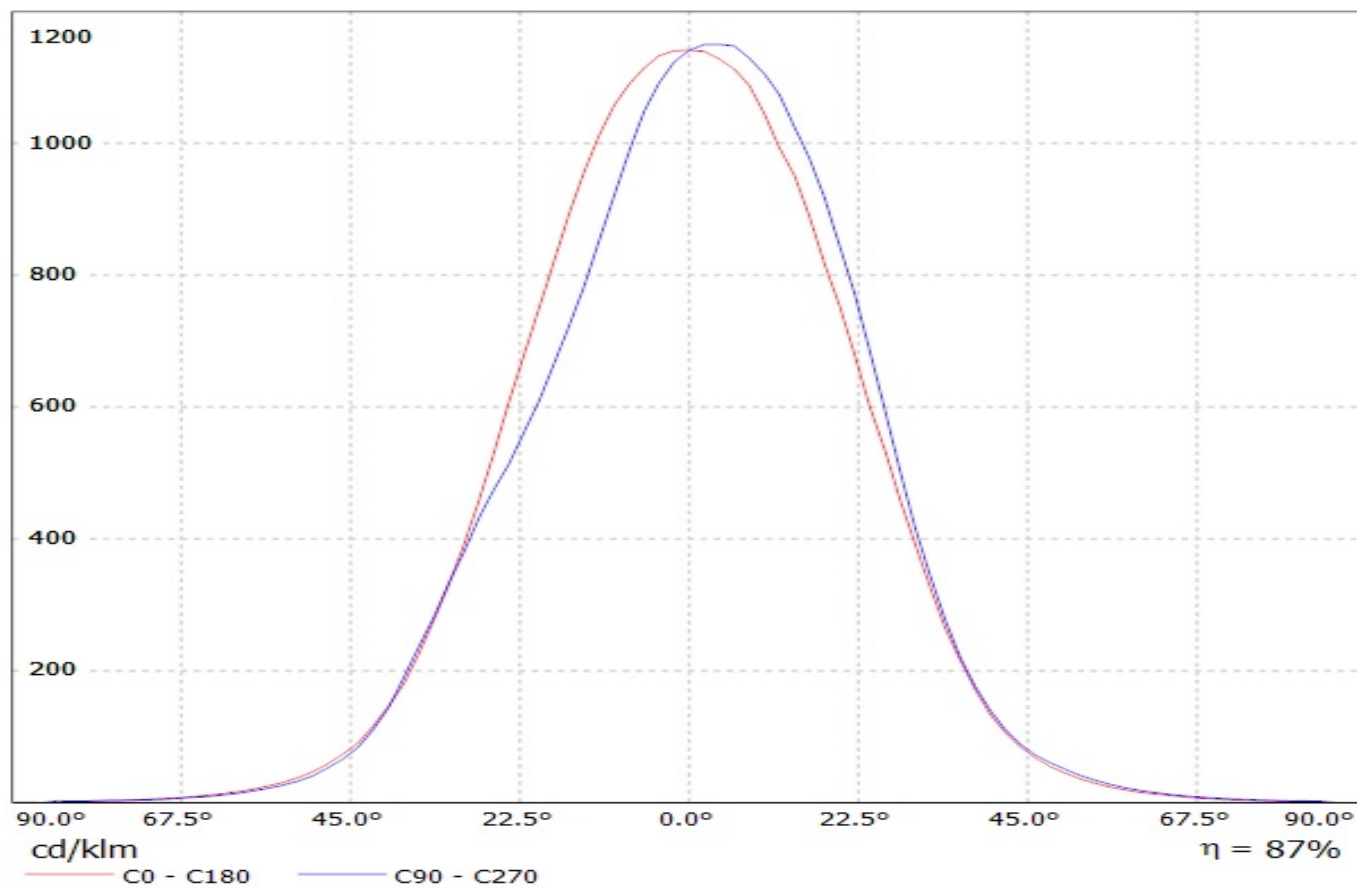
LEDiL Oy C12913_LARISA-WW_(SSL80) Eff.84.2% / LDC (Linear)

Luminaire: LEDiL Oy C12913_LARISA-WW_(SSL80) Eff.84.2%

Lamps: 1 x Osram SSL80 (81.3lm@250mA)



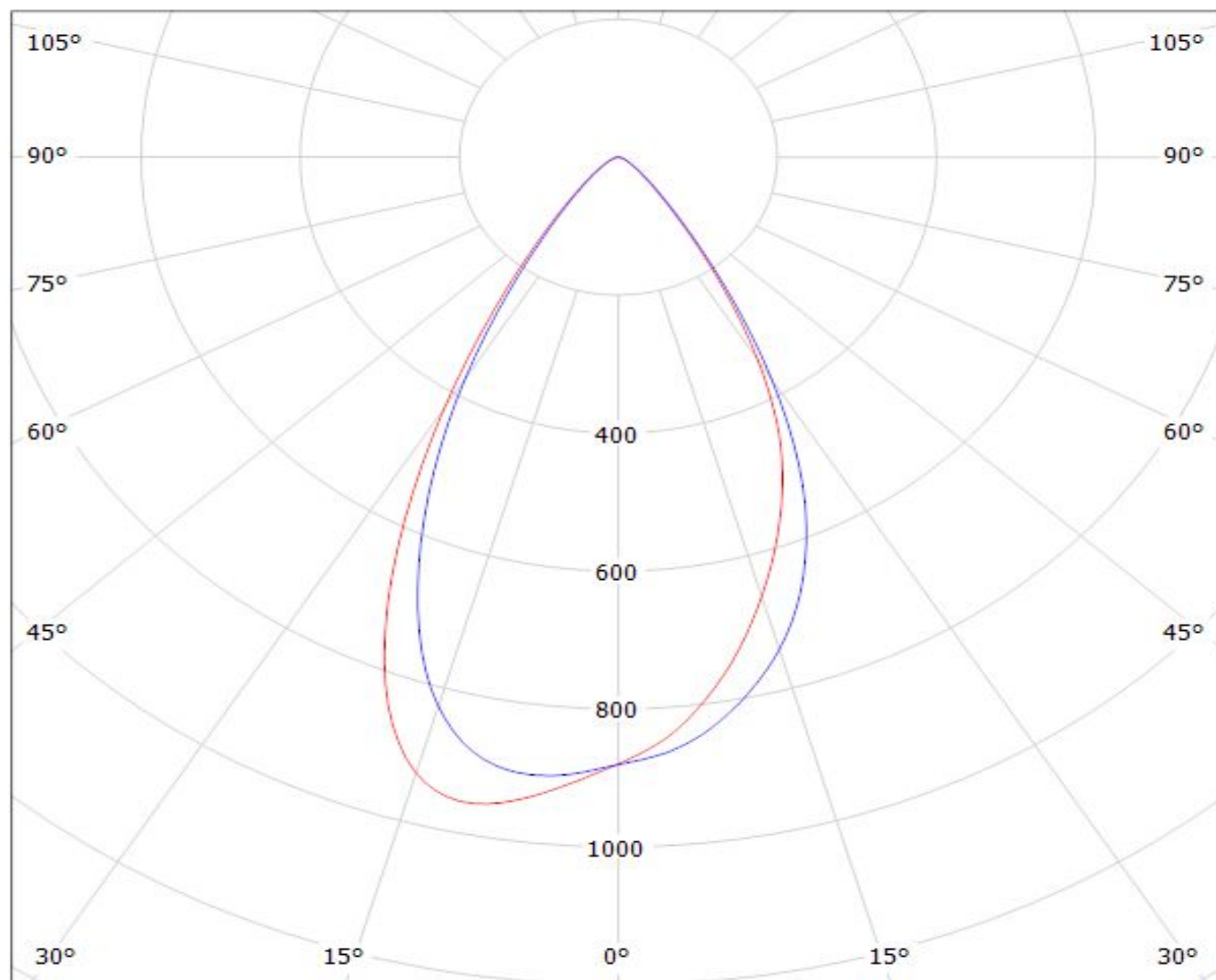
Luminaire: LEDil Oy CP12947_LARISA-WW-CLIP16_(Duris_S5) Efficiency=86%
Lamps: 1 x Osram Duris S5 (GW PSLPS1.EC) 102lm @ 150mA CCT=6300K P=1.0W I=150mA



LEDiL Oy C12913_LARISA-WW_(XB-D) Eff.84.3% / LDC (Polar)

Luminaire: LEDiL Oy C12913_LARISA-WW_(XB-D) Eff.84.3%

Lamps: 1 x CREE XB-D (92.2lm@250mA)



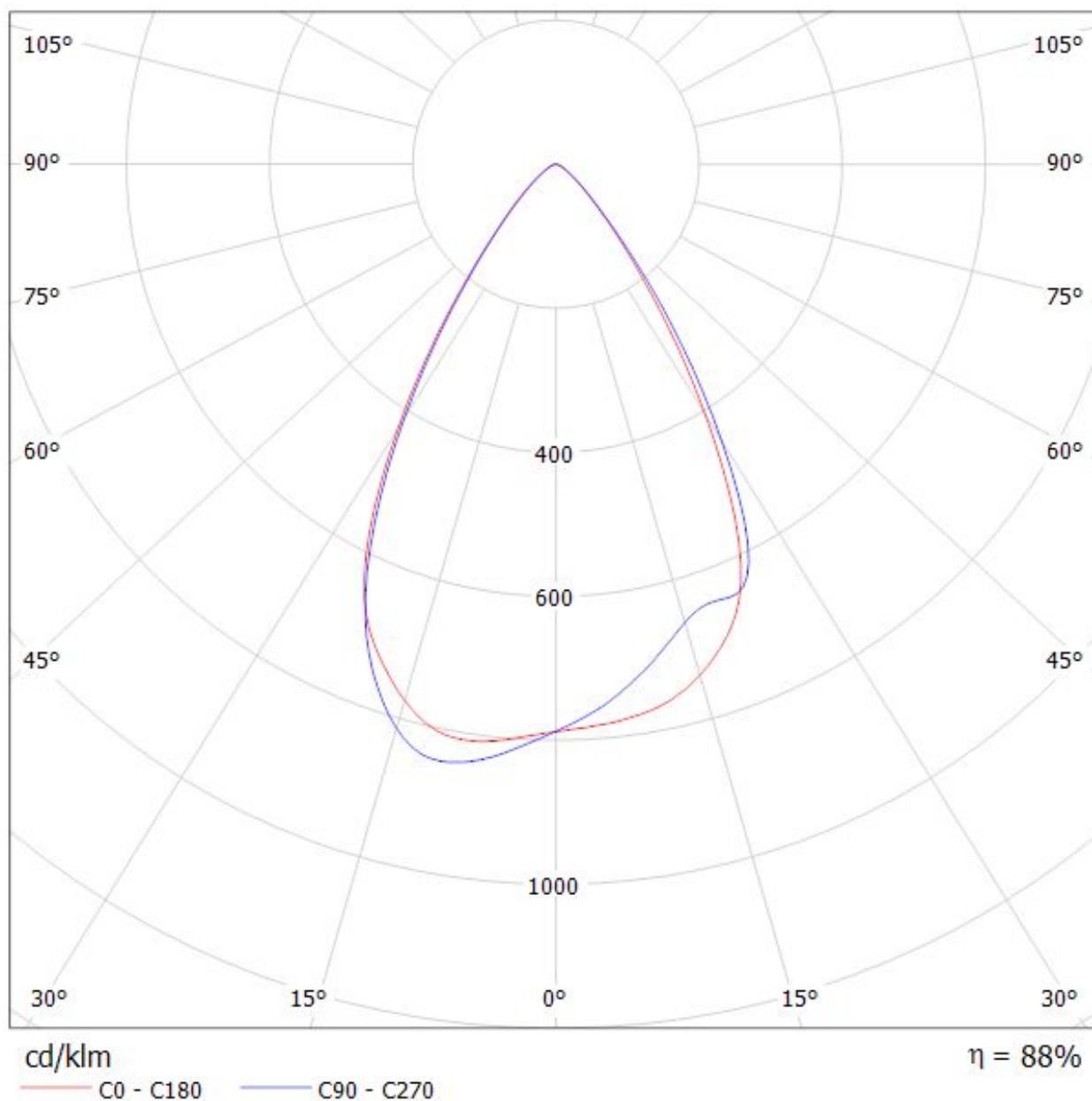
cd/klm

— C0 - C180

— C90 - C270

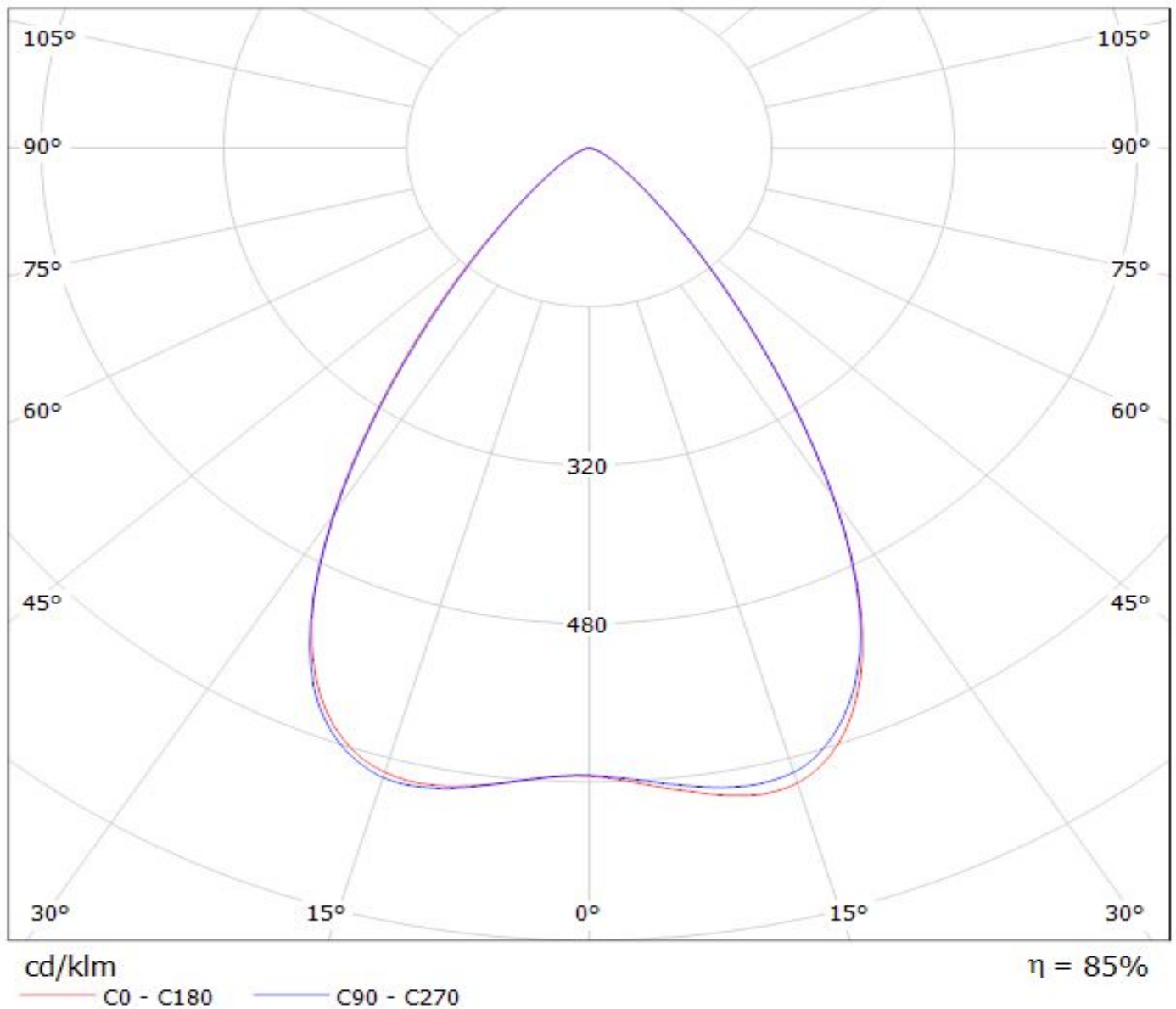
$\eta = 84\%$

Luminaire: LEDiL Oy LARISA-WW_Rebel_(CLIP8&CLIP16) Eff.87.5%
Lamps: 1 x Rebel (80.8775lm@250mA)



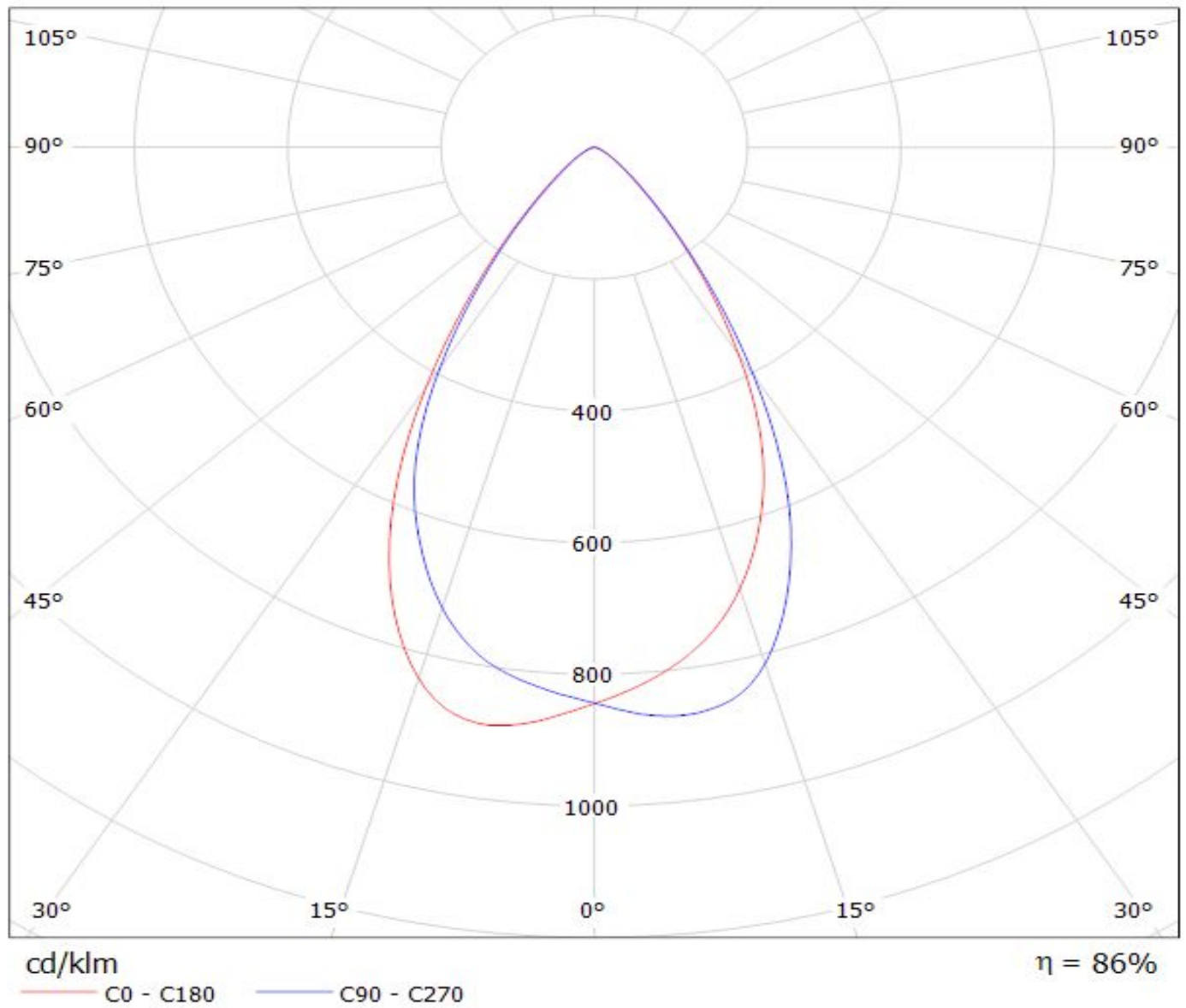
LEDiL Oy C12913_LARISA-WW_(Luxeon_A) Eff.85.5% / LDC (Polar)

Luminaire: LEDiL Oy C12913_LARISA-WW_(Luxeon_A) Eff.85.5%
Lamps: 1 x Luxeon_A (66.4lm@250mA)



LEDiL Oy C12913_LARISA-WW_(Rebel_ES) Eff.86.4% / LDC (Polar)

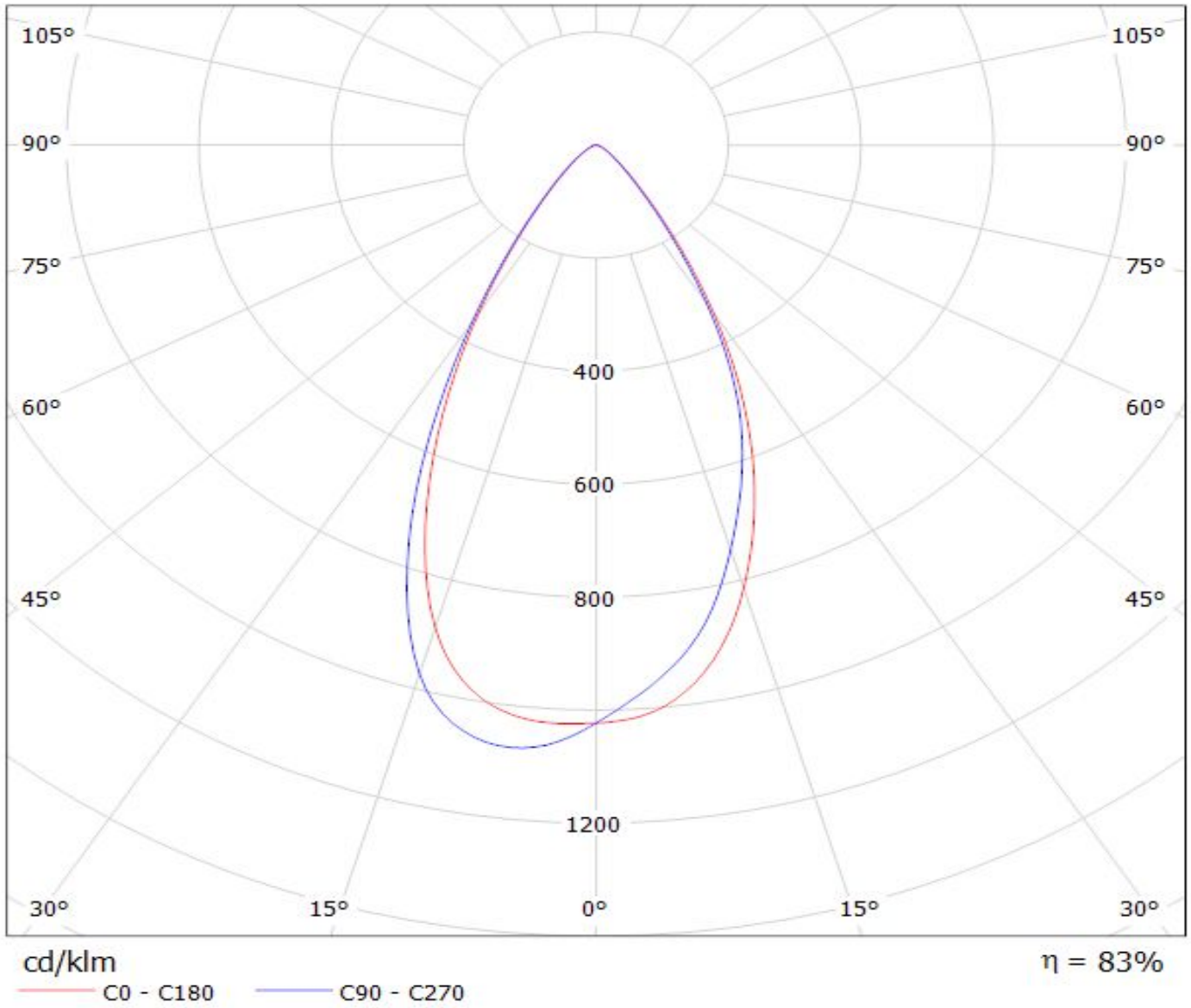
Luminaire: LEDiL Oy C12913_LARISA-WW_(Rebel_ES) Eff.86.4%
Lamps: 1 x Rebel ES (91.8116lm@250mA)



LEDiL Oy C12913_LARISA-WW_(NCS19) Eff.83.4% / LDC (Polar)

Luminaire: LEDiL Oy C12913_LARISA-WW_(NCS19) Eff.83.4%

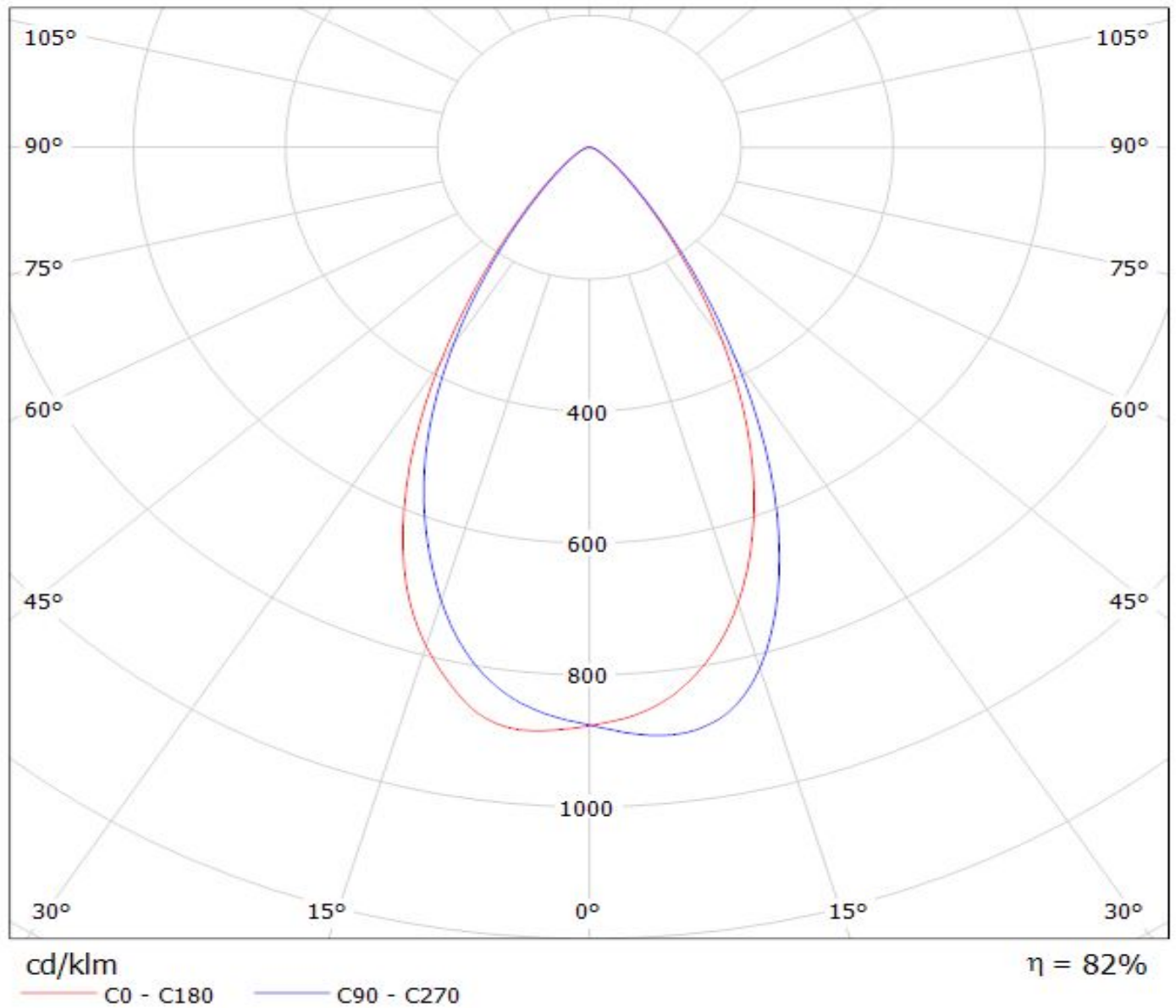
Lamps: 1 x Nichia NCS19 (88lm@250mA)



LEDiL Oy C12913_LARISA-WW_(NVS19) Eff.82.3% / LDC (Polar)

Luminaire: LEDiL Oy C12913_LARISA-WW_(NVS19) Eff.82.3%

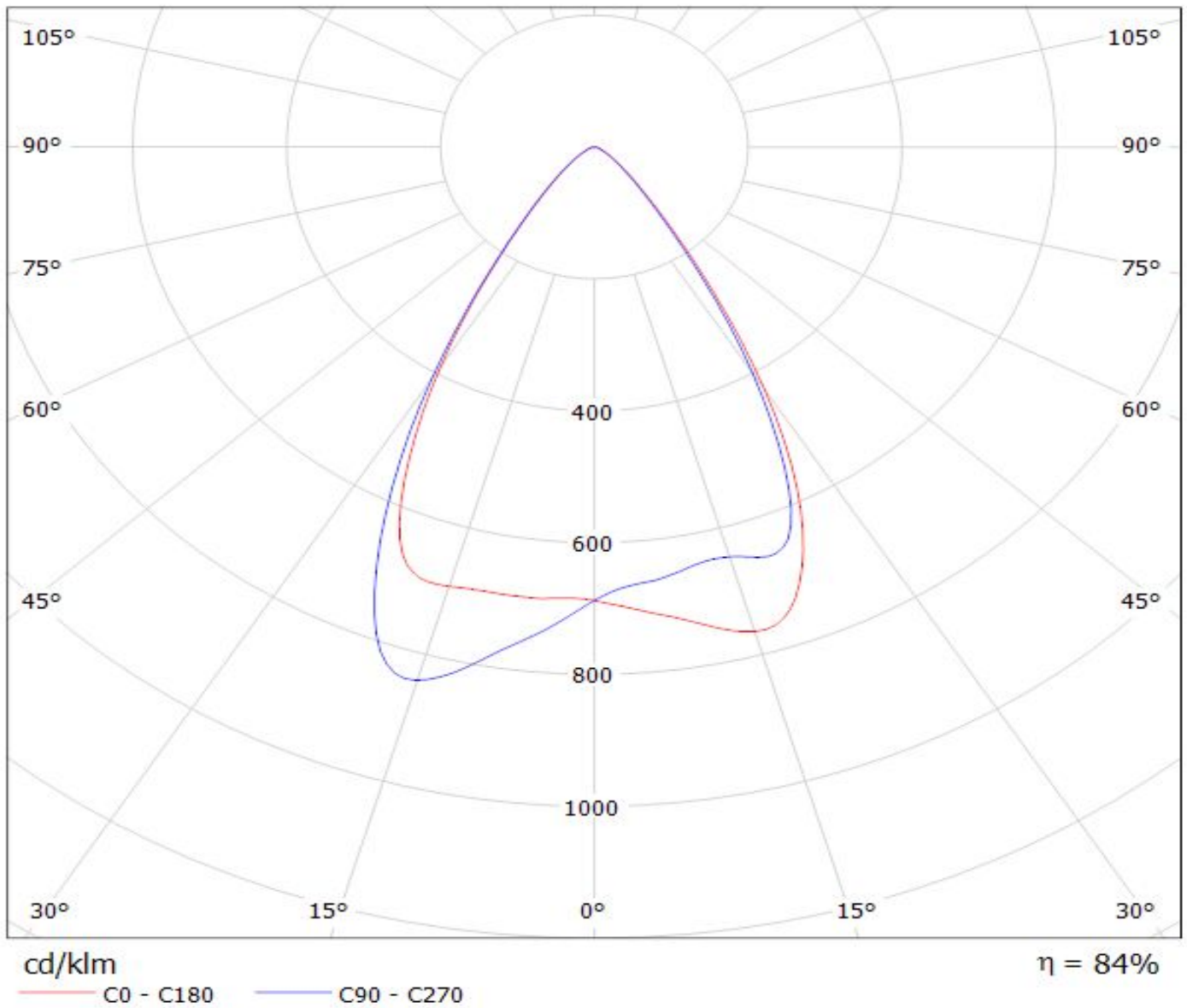
Lamps: 1 x Nichia NVS19 (97.5lm@250mA)



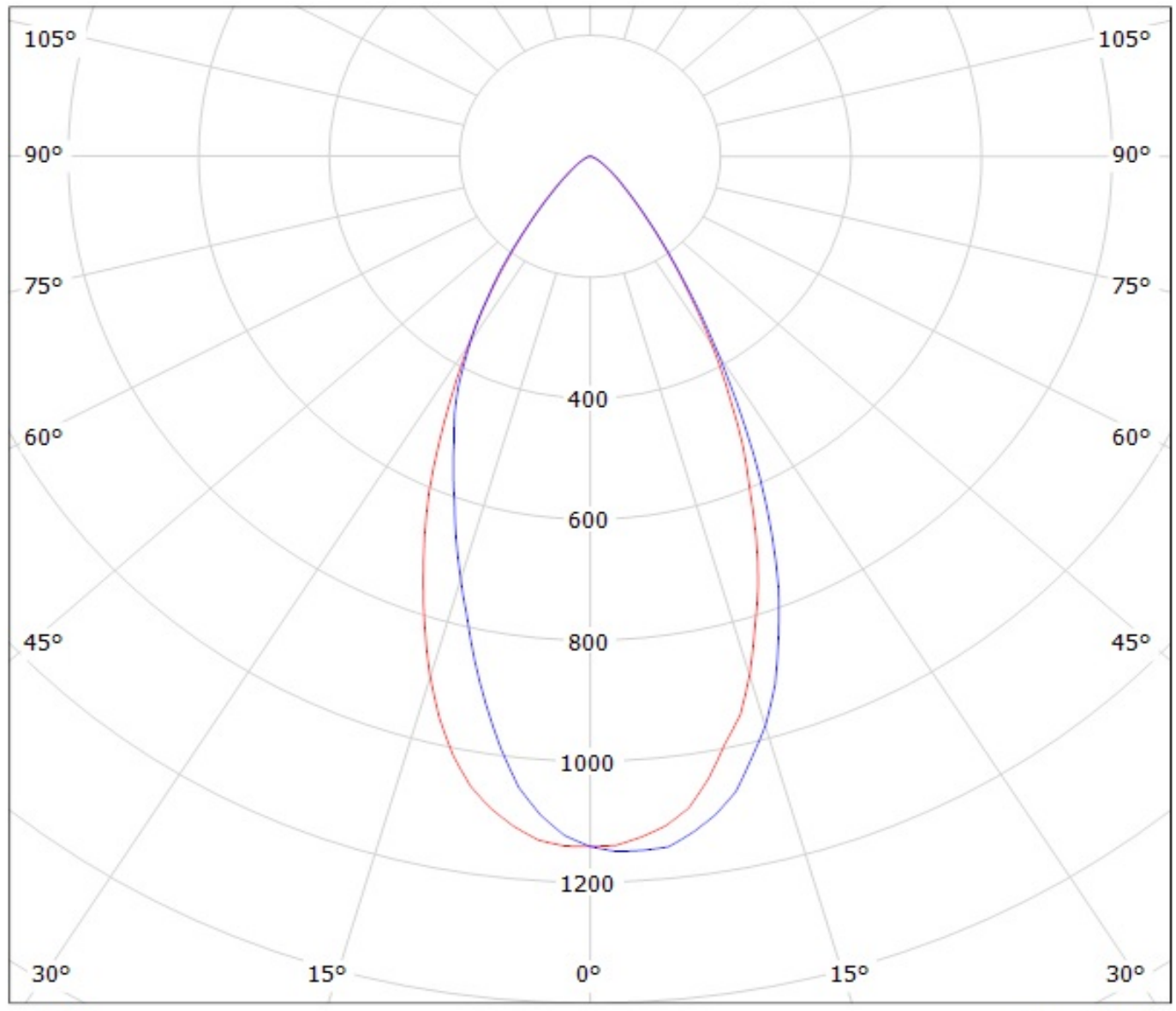
LEDiL Oy C12913_LARISA-WW_(SSL80) Eff.84.2% / LDC (Polar)

Luminaire: LEDiL Oy C12913_LARISA-WW_(SSL80) Eff.84.2%

Lamps: 1 x Osram SSL80 (81.3lm@250mA)



Luminaire: LEDil Oy CP12947_LARISA-WW-CLIP16_(Duris_S5) Efficiency=86%
Lamps: 1 x Osram Duris S5 (GW PSLPS1.EC) 102lm @ 150mA CCT=6300K P=1.0W I=150mA



cd/klm

— C0 - C180 — C90 - C270

$\eta = 87\%$

NOTE: The typical divergence will be changed by different color, chip size and chip position tolerance. The typical total divergence is the full angle measured where the luminous intensity is half of the peak value.