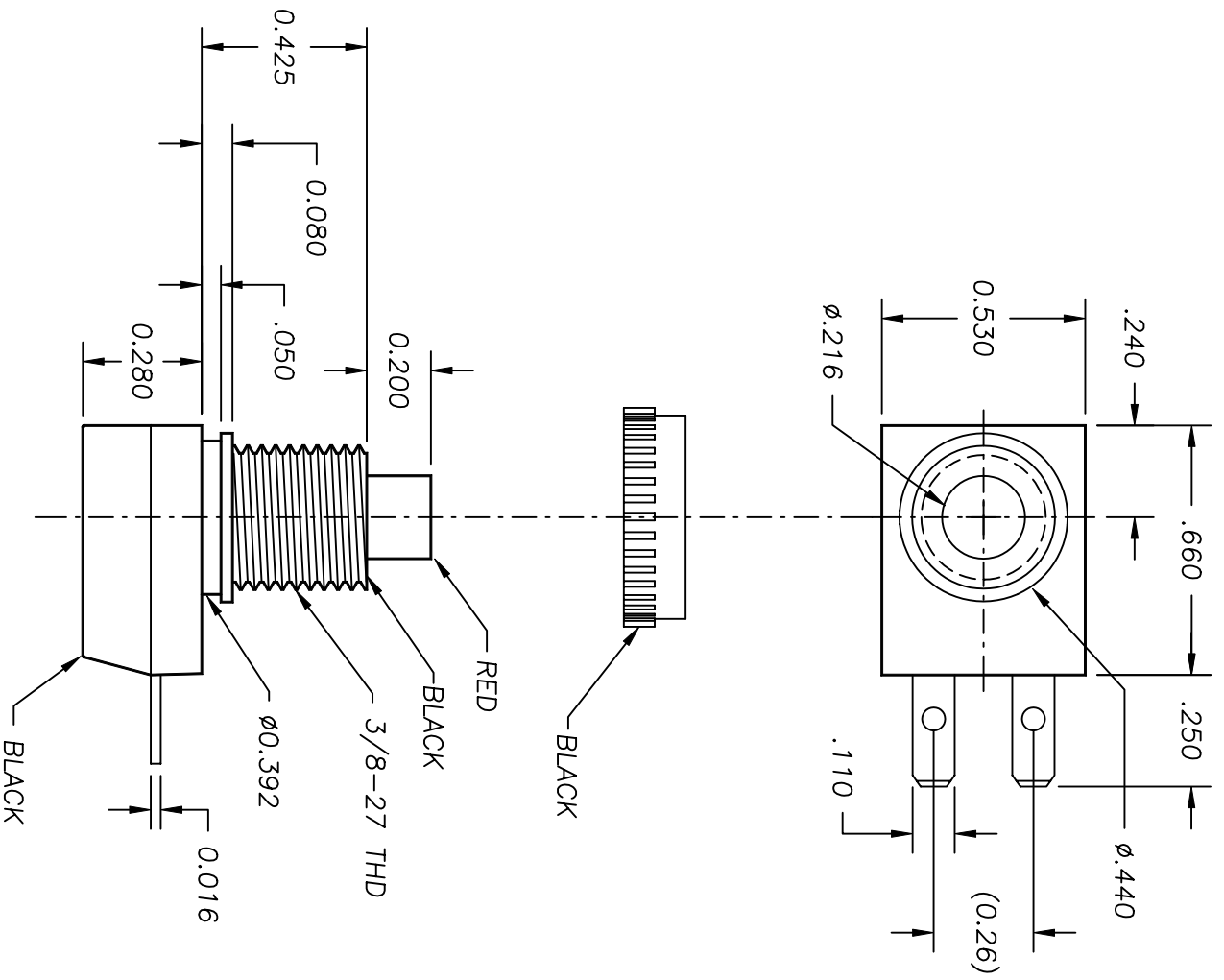


LTR	EN	DESCRIPTION	APPR	BY	DATE
A	-	INITIAL RELEASE	RB	EM	2-03-04



JUDCO INVENTORY NO. 40-1673-01  
 SWITCH TYPE: MOMENTARY, NORMALLY OPEN  
 NUTS PACKED SEPARATELY

CUSTOMER: DIGI KEY  
 CUST. PN: 502 PB-ND  
 APPROVED BY: \_\_\_\_\_  
 DATE: \_\_\_\_\_

DIMENSIONS IN INCHES DIMENSIONS ARE REFERENCE		
DRAWN: EM	02-03-04	
APPR: KJ	02-03-04	DWG. NO. 1415-560
1415U560A.DWG		SHEET 1 OF 1

This document embodies a product, component, and/or design proprietary to JUDCO MANUFACTURING INC., and which is protected either as a trade secret, by U.S. Patent, or by copyright. It may not be used in any way without written express consent of JUDCO MANUFACTURING INC.