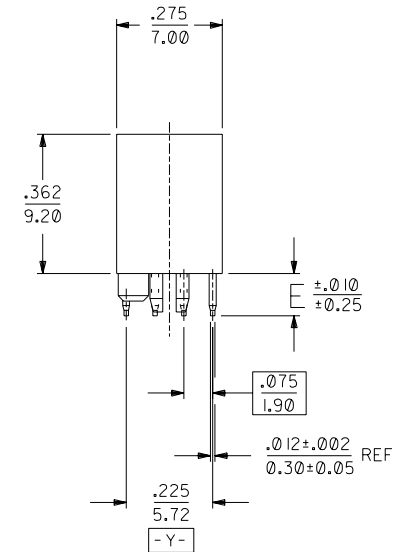
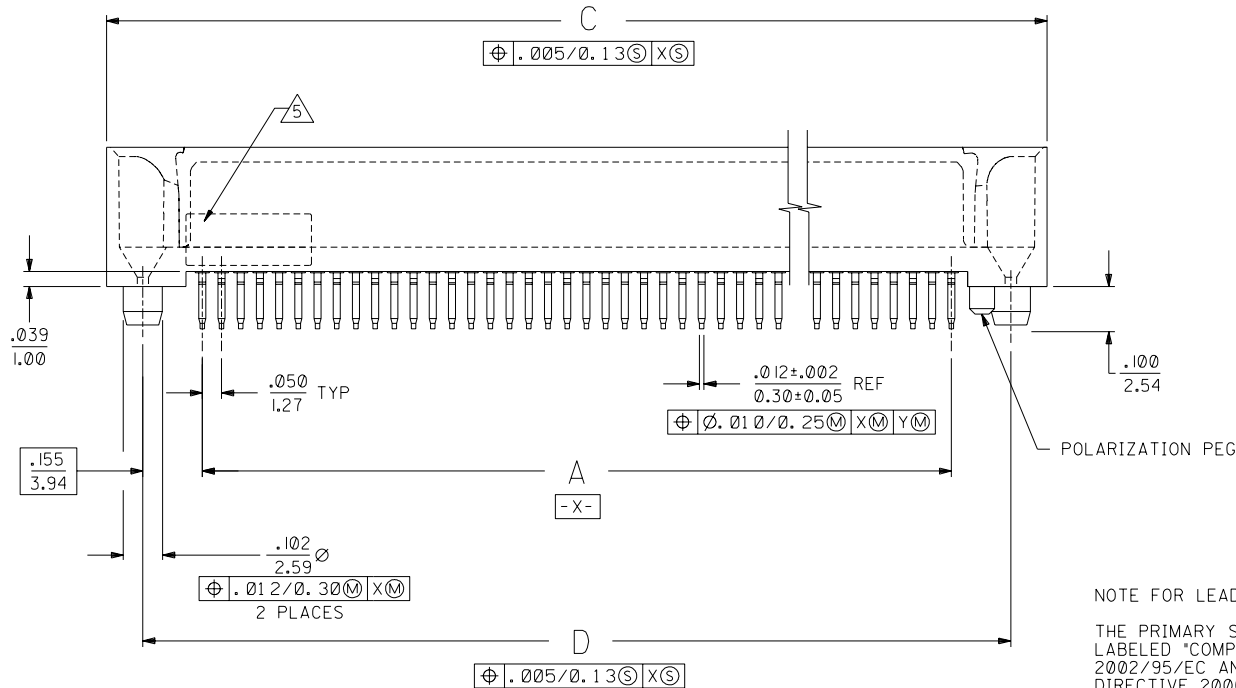
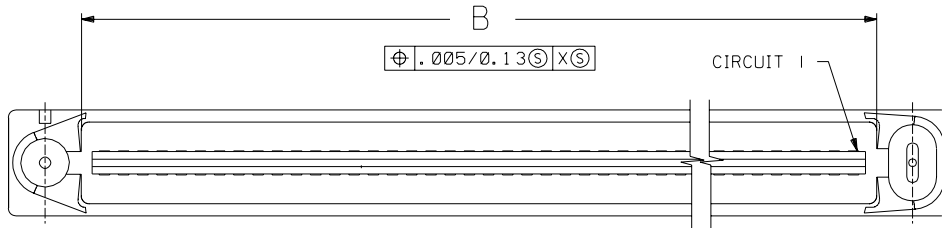


**NOTES:**

- 1) MATERIALS:  
HOUSING - LIQUID CRYSTAL POLYMER (LCP), GLASS FILLED,  
UL94V-0, COLOR: BLACK  
TERMINALS - COPPER ALLOY
- 2) TERMINAL FINISH:  
30 MICROINCH/0.76 MICROMETER MINIMUM GOLD IN CONTACT AREA AND  
50 MICROINCH/1.27 MICROMETER MINIMUM TIN IN TAIL AREA OVER  
NICKEL UNDERPLATE OVERALL.
- 3) ASSEMBLY MATES WITH MOLEX PART NUMBER 71660-7\*\*\*.  
CONFORMS TO PRODUCT SPECIFICATION PS-71660.
- 4) RECOMMENDED P.C. BOARD THICKNESS IS .062/1.6 MILLIMETER.
- 5) FOUR DIGIT DATE CODE TO BE LOCATED ON SURFACE  
AS SHOWN.
- 6) PRODUCT PACKAGED PER SPECIFICATION PK-71660.



**NOTE FOR LEAD FREE CONVERSION:**

THE PRIMARY SHIPPING CARTON WILL BE LABELED "COMPLIANT TO ROHS DIRECTIVE 2002/95/EC AND ELV ANNEX II OF DIRECTIVE 2000/53/EC". CARTONS WITHOUT THIS LABEL MAY CONTAIN PRODUCT WITH LEAD.

|      |     |      |                  |
|------|-----|------|------------------|
| 2    | A   | A    | RELEASE          |
| 1    | A   | A    | ECR UCP2005-0053 |
|      |     |      | RKADAMS 04/8/20  |
| MFG. | SH. | REV. | LTR.             |
|      |     |      | REVISIONS        |

|  |               |   |                         |
|--|---------------|---|-------------------------|
| DIMENSIONS SHOWN (METRIC) INCH                         |               | UNLESS OTHERWISE SPECIFIED TOLERANCES: ANGULAR $\pm 1/2^\circ$  |                         |
| 3 PLACE  | $\pm .005$    | INCH  | METRIC                  |
| 2 PLACE  | $\pm .01$     |   |                         |
| 1 PLACE  | ---           |   |                         |
| DRAWING WHERE APPLICABLE MUST REMAIN WITHIN DIMENSIONS |               |   |                         |
| DRWG. BY: RKA  | CHK'D. BY: BB | FILE NAME: ST1661DK1  | DRWG. NO.: SD-71661-010 |
| APP'D. BY: SM  | SCALE: 4:1    | THIS DRAWING CONTAINS INFORMATION THAT IS PROPRIETARY TO MOLEX INC. AND SHOULD NOT BE USED WITHOUT WRITTEN PERMISSION |                         |

71661

A

