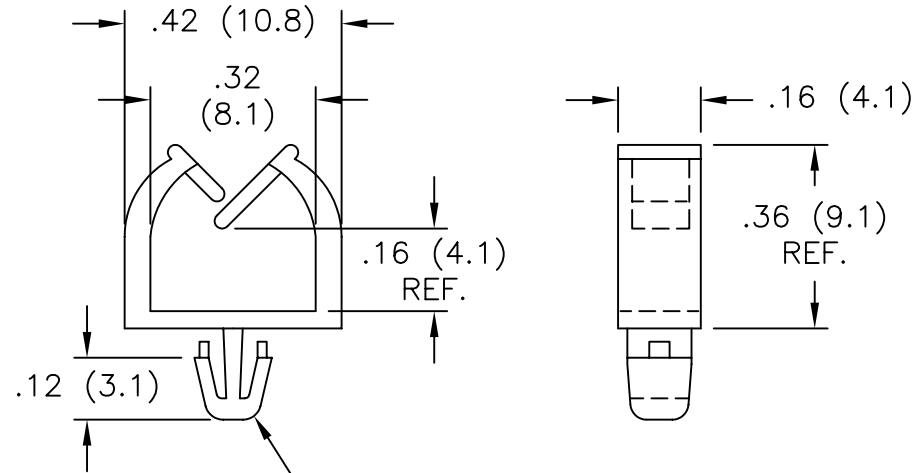


MAT'L: NYLON 6/6 (RMS-01) COLOR: NATURAL PART NO.	MAT'L: FLAME RETARDANT NYLON 6/6 (RMS-19) COLOR: NATURAL PART NO.
MWSEA3-2-01	MWSEA3-2-19



TO SNAP-LOCK IN A $.138 \pm .002$
(3.5 ± 0.05) DIA. HOLE, IN A
.063 (1.6) THICK BOARD

REV		DESCRIPTION	ENGR	DATE	TITLE: MICRO WIRE SADDLES			DWG IN IN (MM)	
TOLERANCES UNLESS NOTED .XX= $\pm .010$.XXX= $\pm .015$ FRAC= $\pm 1/64$ ANG= $\pm 1^\circ$					FILE # MWSEA3	DWN: S.M.	APP:	FINAL	
					MAT'L: SEE TABLE	DT: 12/04/01	DT:	PART #	PRINT TYPE
					RE: RICHCO, INC.	RICHCO INC. PO BOX 804238, CHICAGO, 60680 (773) 539-4060		SEE TABLE	CA