

DETAILS

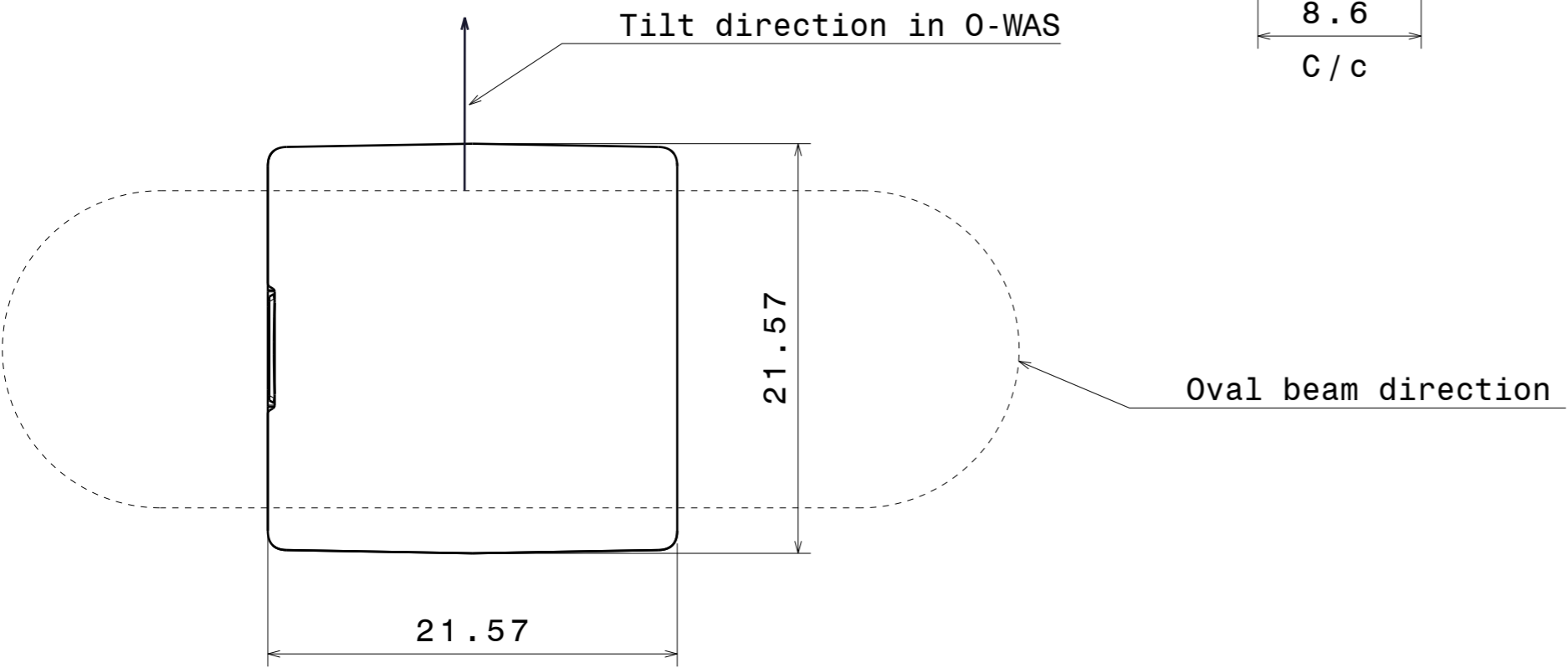
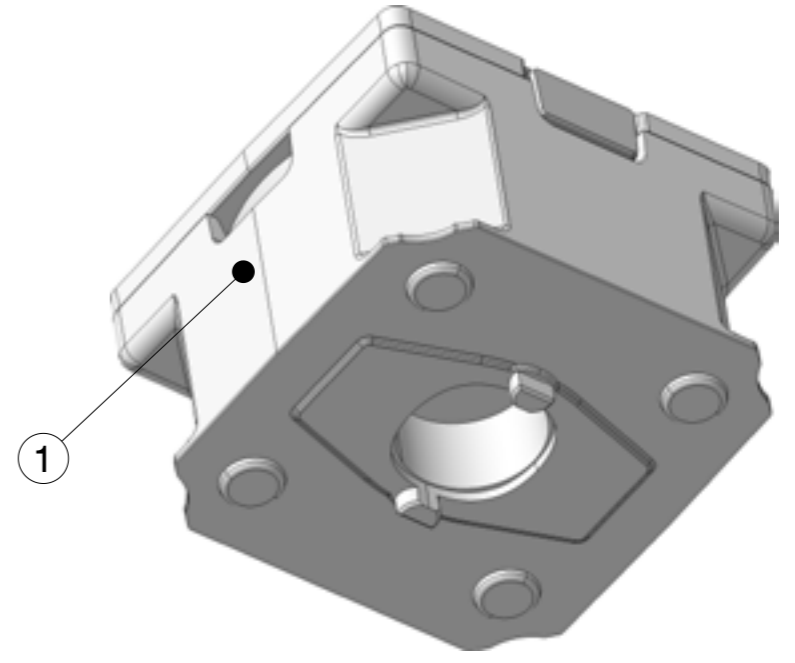
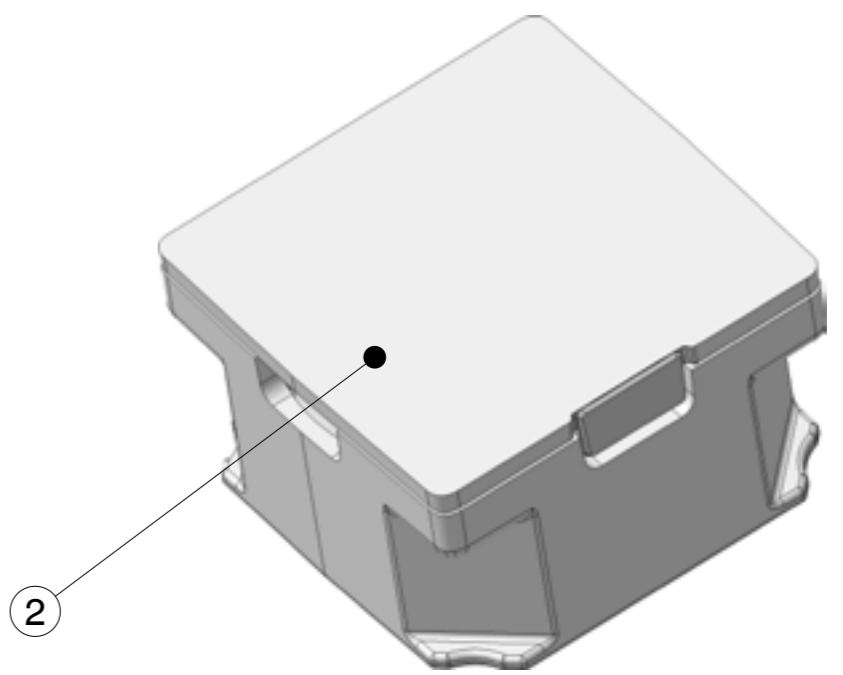
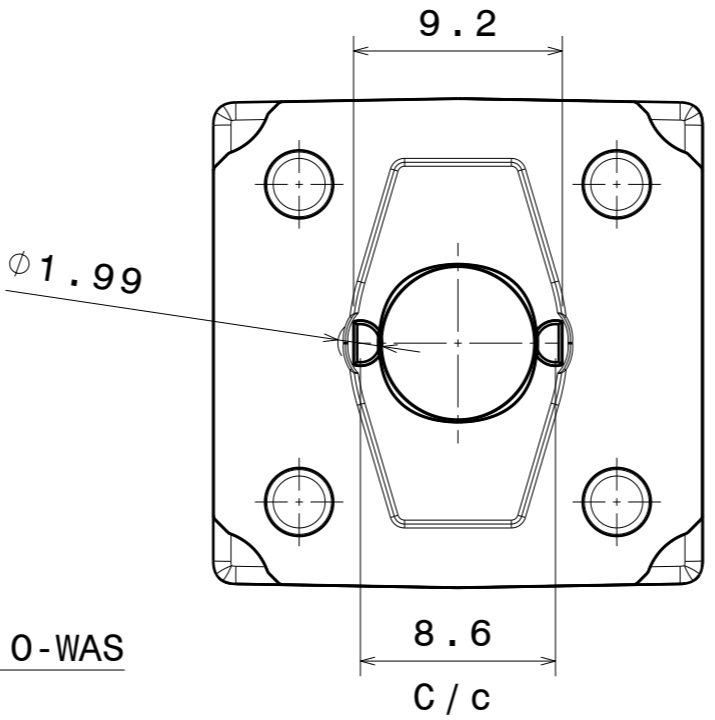
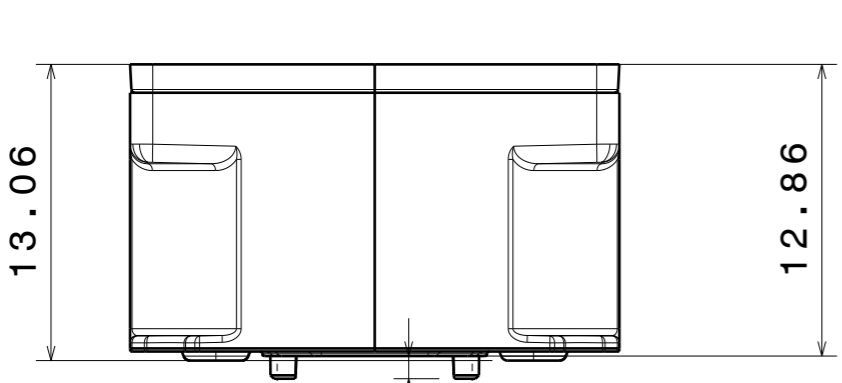
Product Number	CP12633_LAURA-M-PG
Family	Laura
Type	Assembly
Color	white
Diameter	21,6 x 21,6 mm
Height	13,1 mm
Style	square
Optic Material	PMMA,PC
Holder Material	
Fastening	pin, glue
Status	production ready
ROHS Compliant	Yes
Date Updated	27/04/2016



OPTICAL PROPERTIES

LED	Viewing Angle	Light Beam	Efficiency	cd/lm	Connector
XP-G	32 deg	Medium	91 %	2.600	-
XP-E-HEW	27 deg	Medium	85 %	2.600	-
XT-E	29 deg	Medium	92 %	3.200	-
LUXEON Rebel	27 deg	Medium	88 %	2.900	-
LUXEON A	30 deg	Medium	93 %	2.700	-
NVSxx19A	28 deg	Medium	91 %	3.000	-
Oslon Square EC	28 deg	Medium	90 %	2.700	-

H G F E D C B A



INDEX	PART NO	DESCRIPTION
1	C12467	LAURA-HLD-PIN
2	-	LAURA-Lens

This drawing applies to:

CP12631_LAURA-RS-PG
CP12632_LAURA-D-PG
CP12633_LAURA-M-PG
CP12634_LAURA-SS-PG
CP12635_LAURA-O-PG
CP12636_LAURA-W-PG
CP12637_LAURA-WW-PG
CP13308_LAURA-O-WAS-PG
CP13311_LAURA-SS-WAS-PG

Tolerances if not otherwise shown
 According to DIN ISO 2768-1
 Linear measures:
 Up to 30mm class M, otherwise class C.
 According to DIN ISO 2768-2
 Form and position: class L

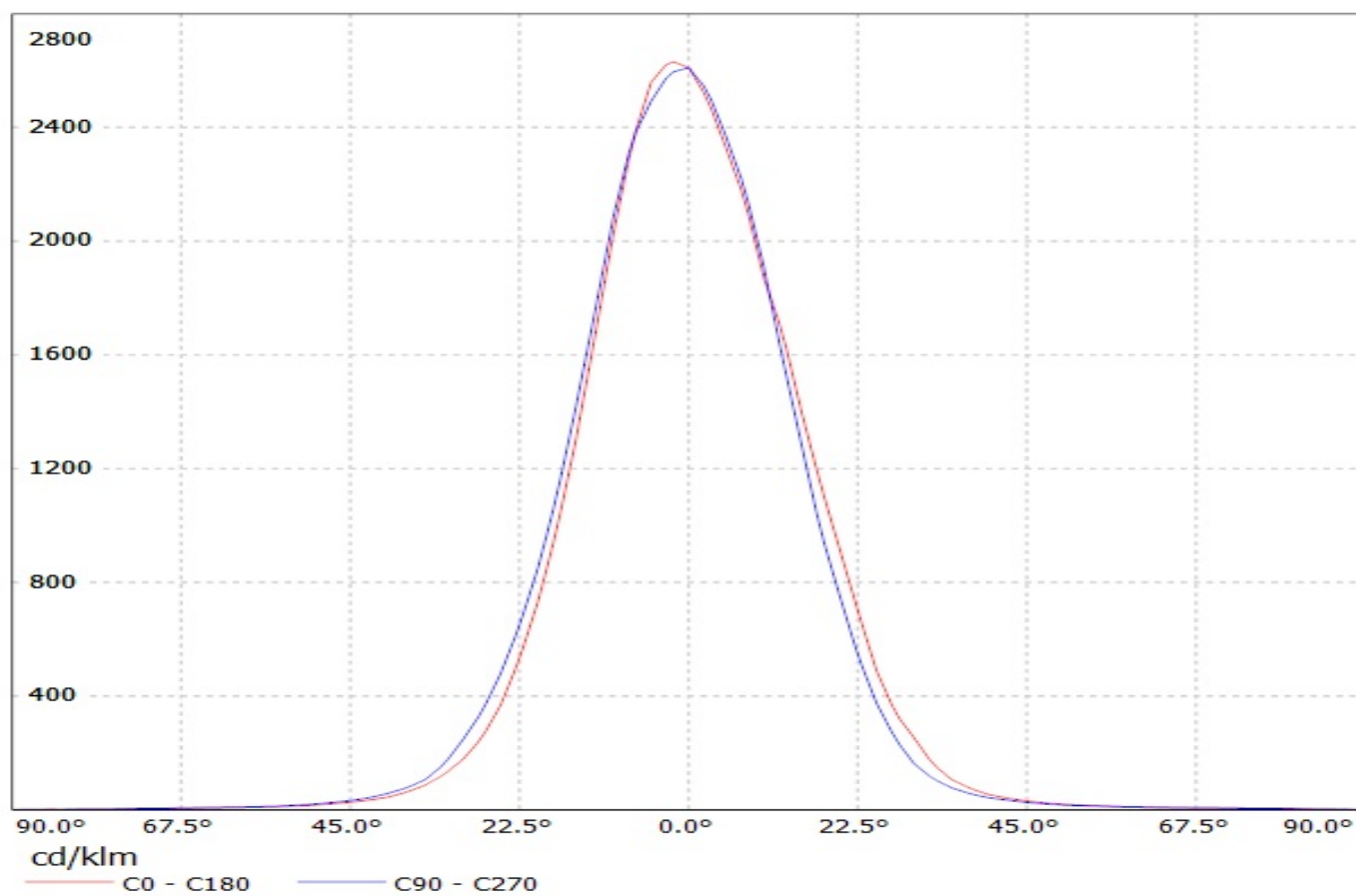
THIRD ANGLE PROJECTION:

This drawing is the property of LEDiL Oy. It may not be reproduced, copied or communicated without a written agreement with LEDiL Oy."

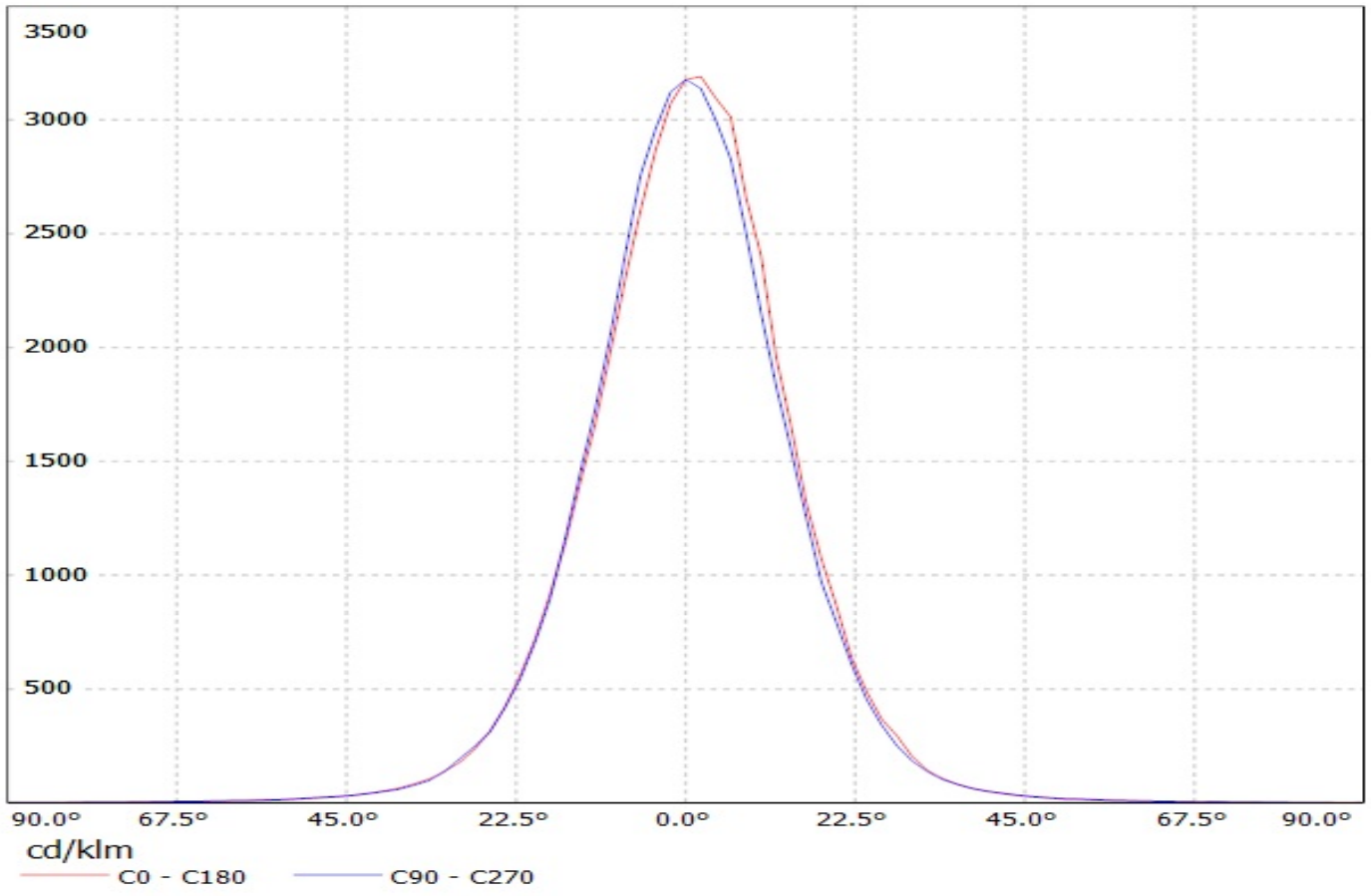
	Ledil Oy Salorankatu 10 FIN 24240 SALO Finland		
	DRAWING TITLE Datasheet_LAURA-PG		
SIZE	PART NUMBER		
A3	Assembly		
SCALE	3:1	WEIGHT (g)	SHEET 1/1

H G B A

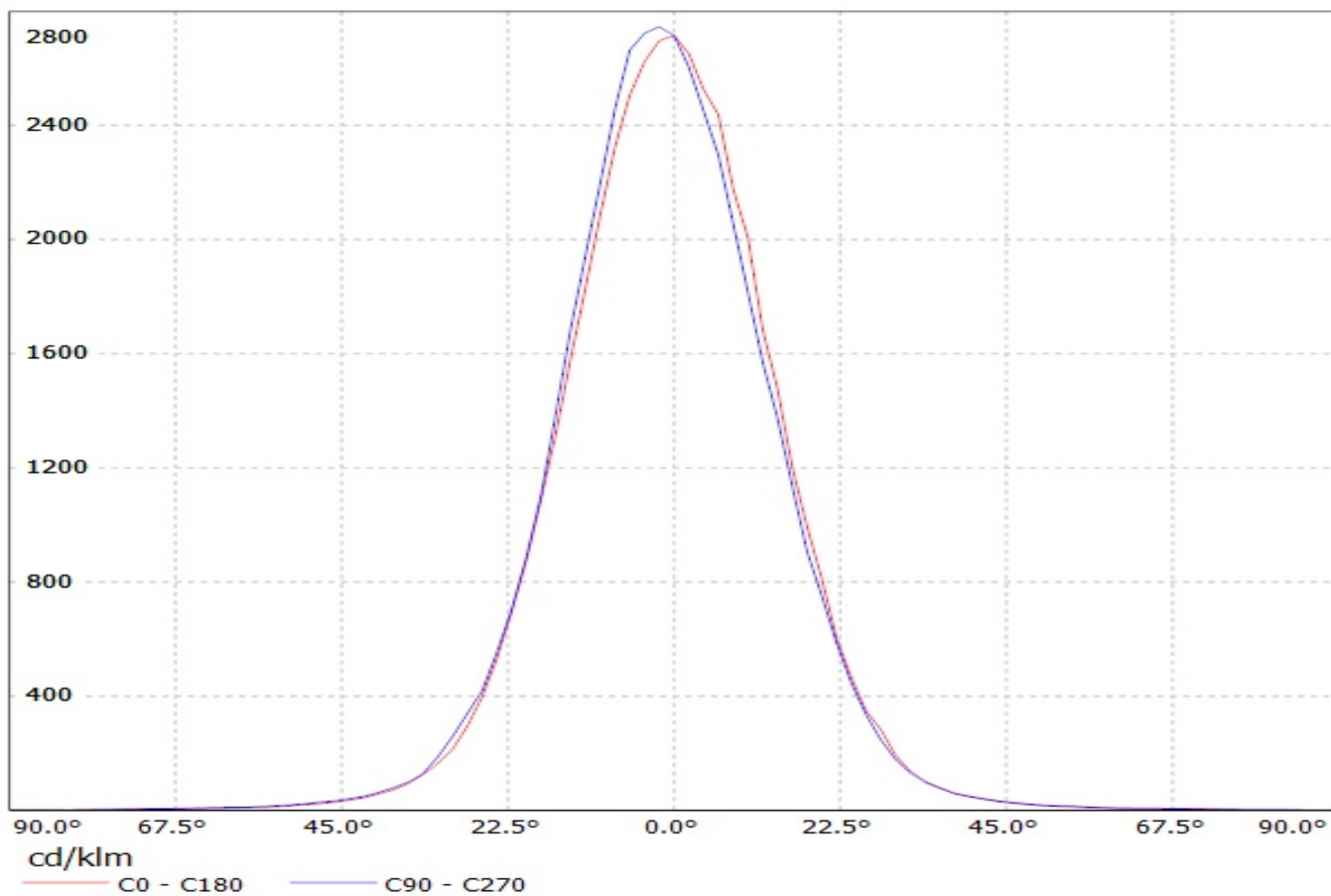
Luminaire: Ledil Oy CP12633_LAURA-M-PG (Cree XP-G 89lm @ 250mA) Efficiency=91%
Lamps: 1 x Cree XP-G 89lm @ 250mA



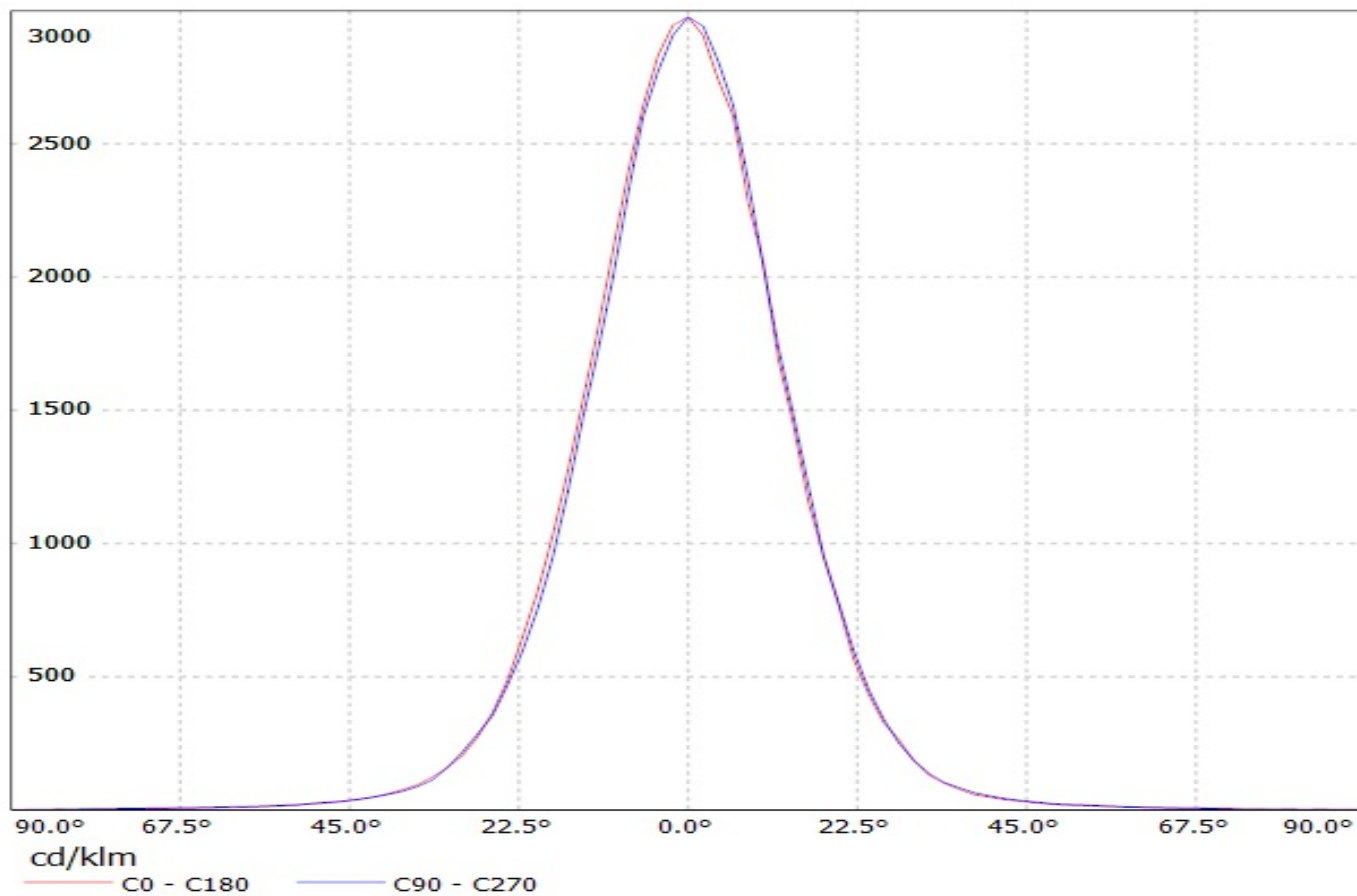
Luminaire: Ledil Oy CP12633_LAURA-M-PG (Cree XT-E 113lm @ 250mA) Efficiency=92%
Lamps: 1 x Cree XT-E 113lm @ 250mA



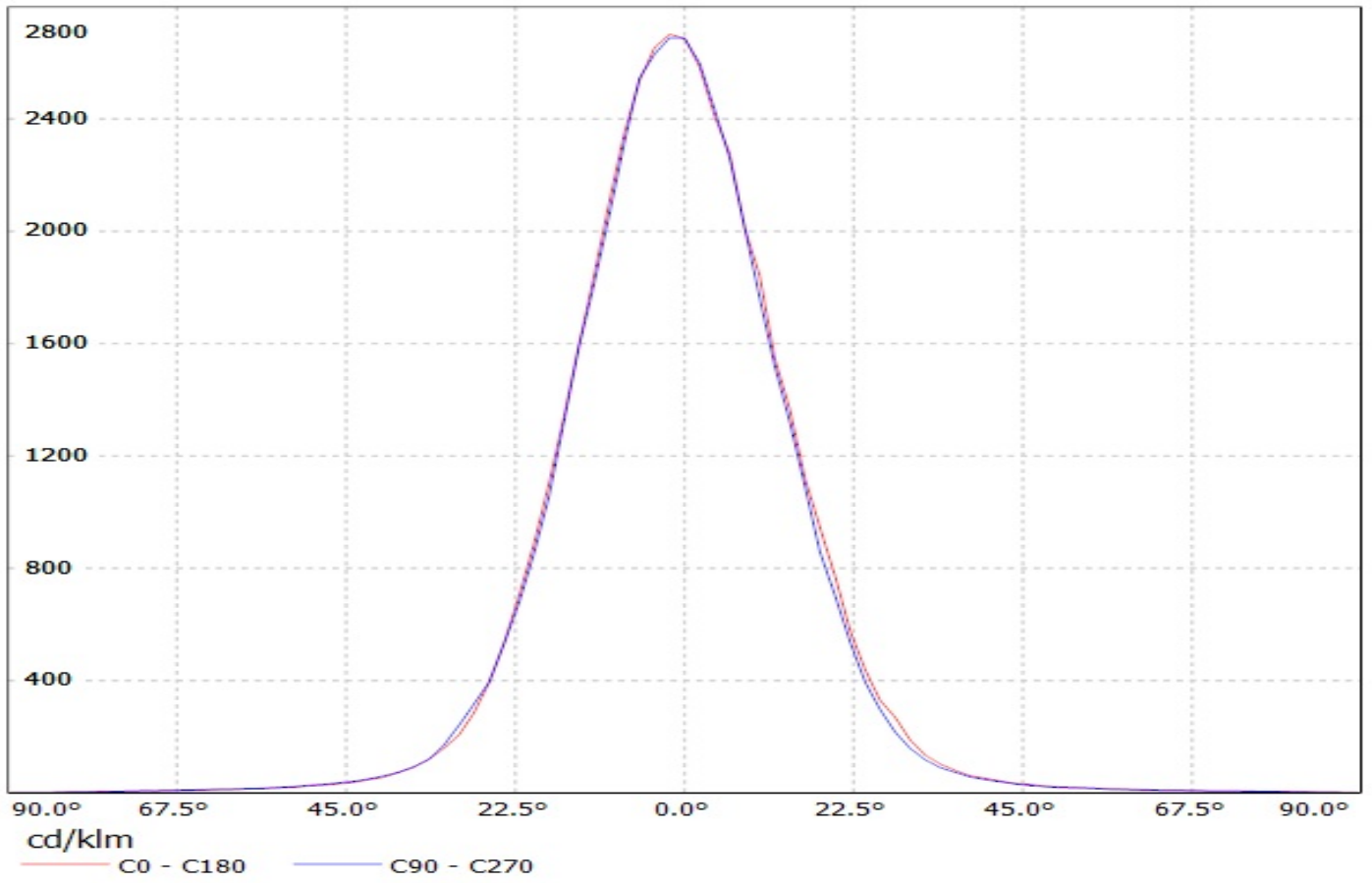
Luminaire: Ledil Oy CP12633_LAURA-M-PG (Luxeon A 70lm @ 250mA) Efficiency=93%
Lamps: 1 x Luxeon A 70lm @ 250mA



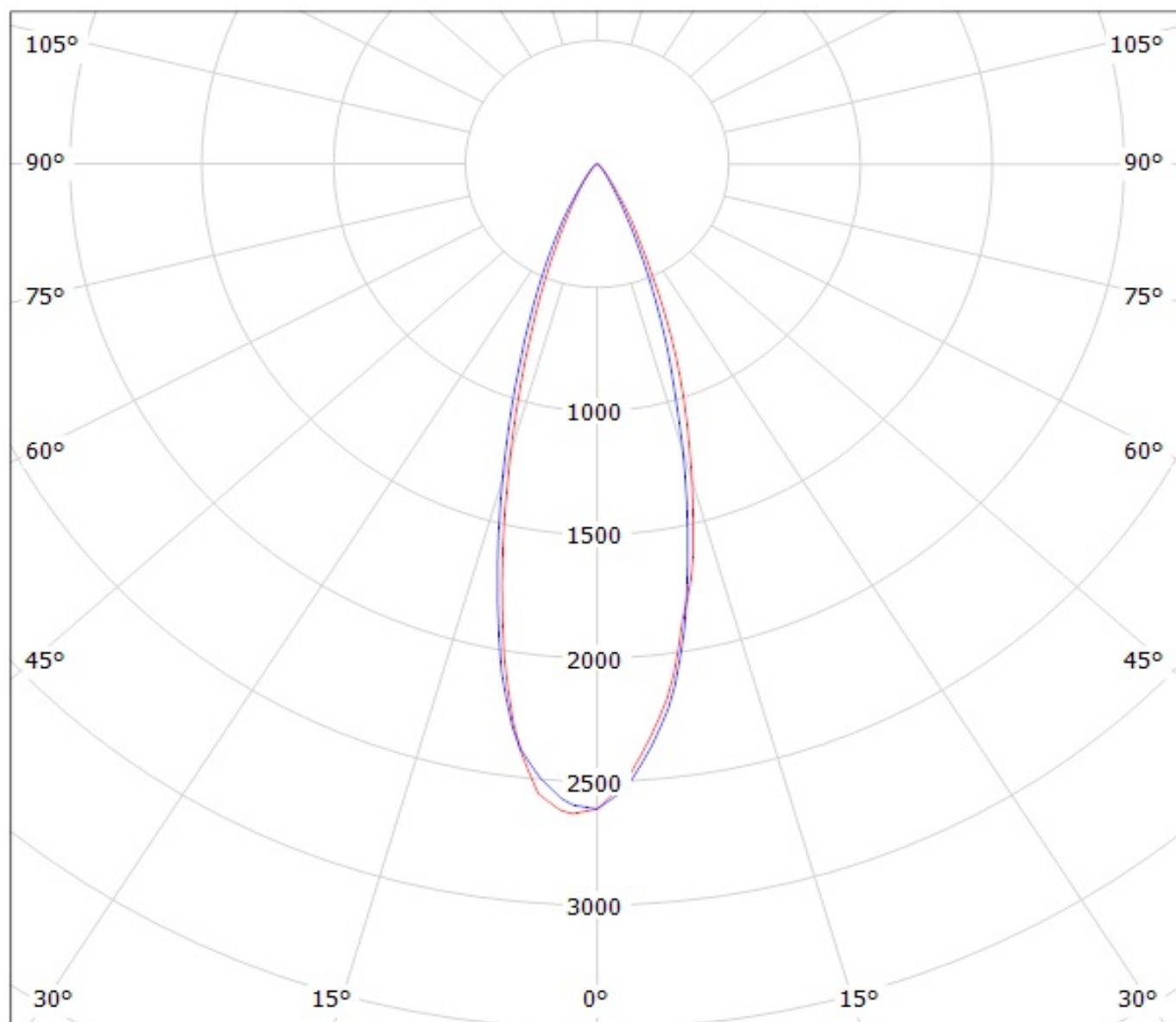
Luminaire: Ledil Oy CP12633_LAURA-M-PG (Nichia NVS19 98lm @ 250mA) Efficiency=91%
Lamps: 1 x Nichia NVS19 98lm @ 250mA



Luminaire: Ledil Oy CP12633_LAURA-M-PG (Osram Square 78lm @ 250mA) Efficiency=90%
Lamps: 1 x Osram Square 78lm @ 250mA



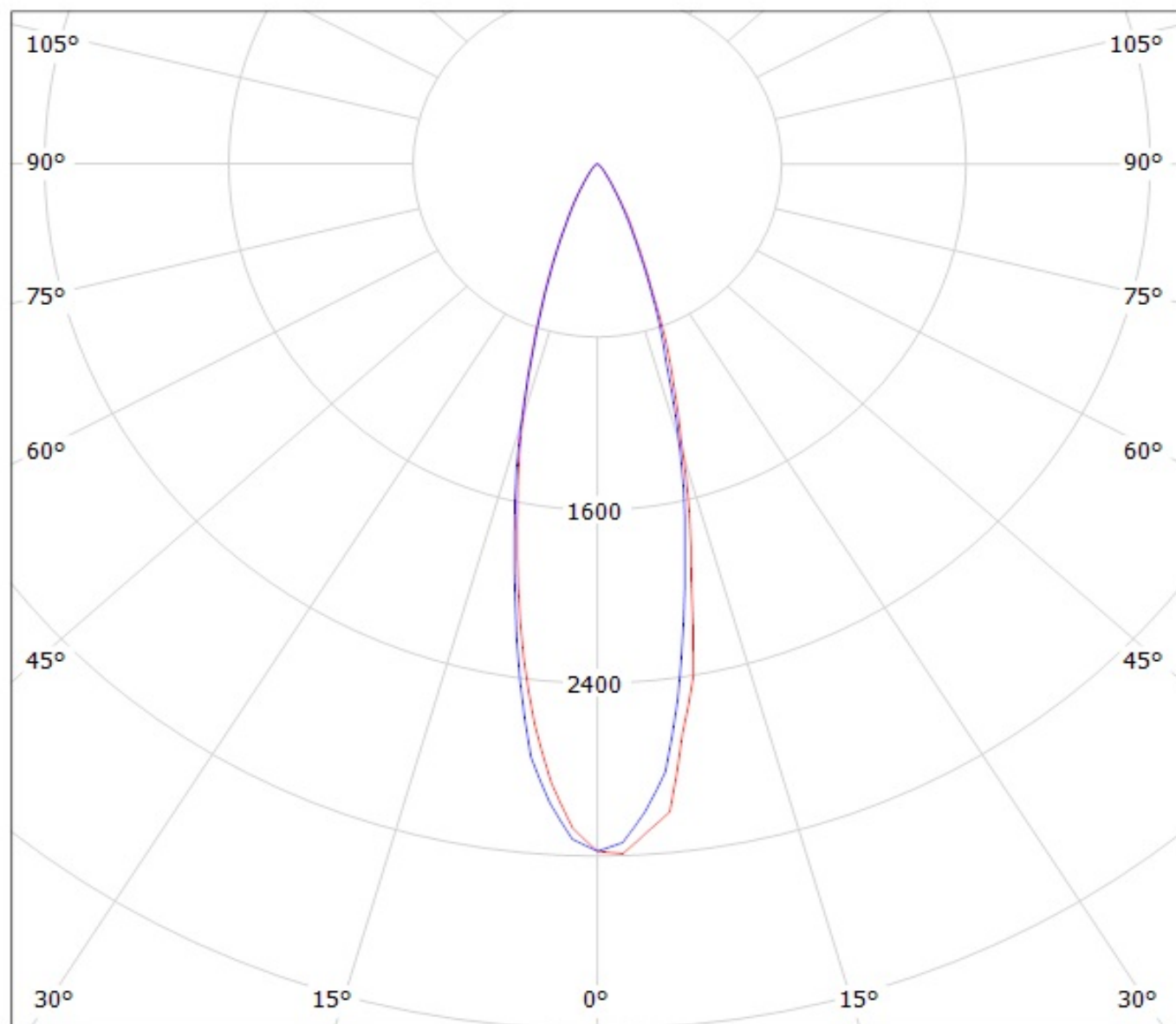
Luminaire: Ledil Oy CP12633_LAURA-M-PG (Cree XP-G 89lm @ 250mA) Efficiency=91%
Lamps: 1 x Cree XP-G 89lm @ 250mA



cd/klm

— C0 - C180 — C90 - C270

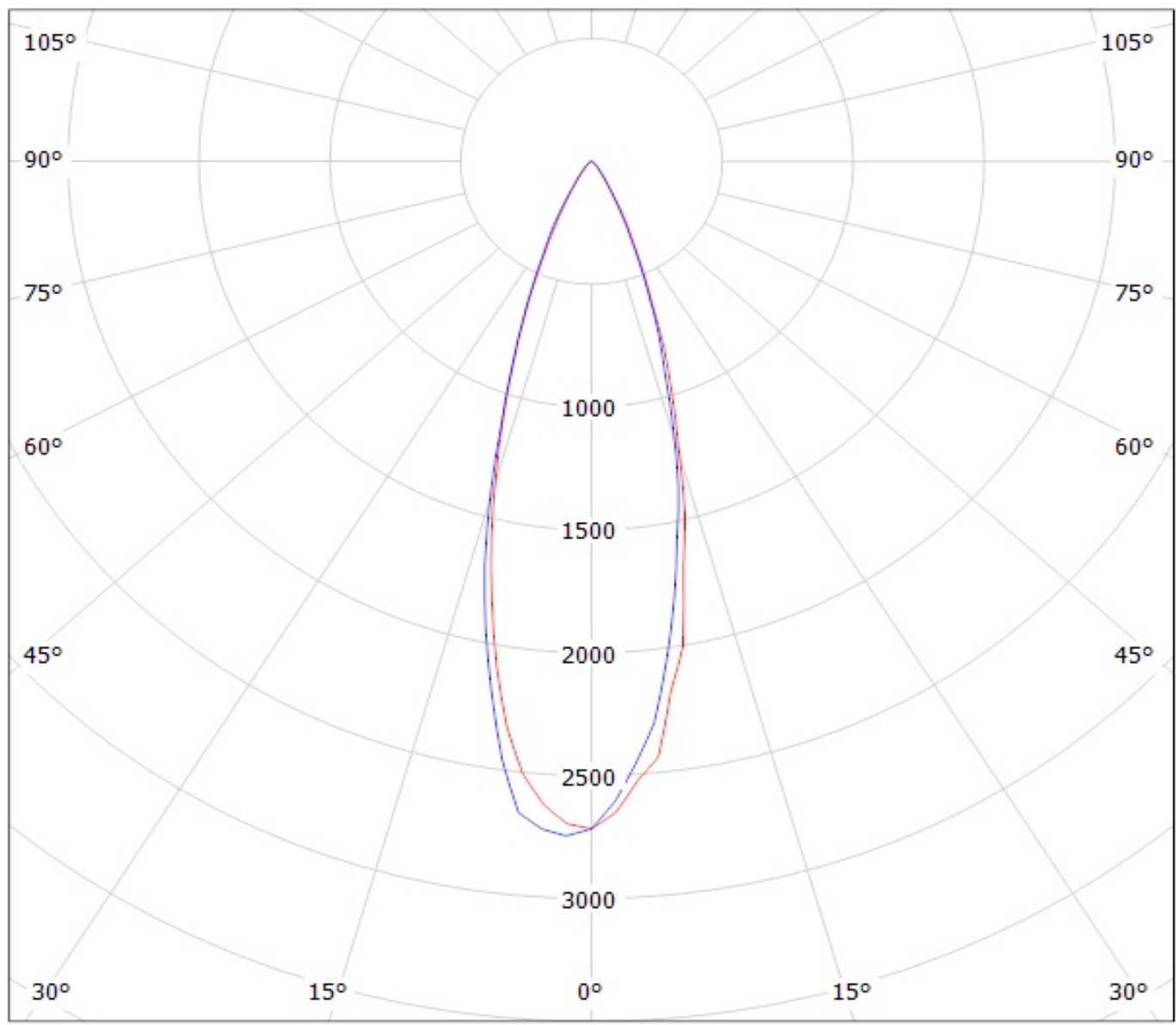
Luminaire: Ledil Oy CP12633_LAURA-M-PG (Cree XT-E 113lm @ 250mA) Efficiency=92%
Lamps: 1 x Cree XT-E 113lm @ 250mA



cd/klm

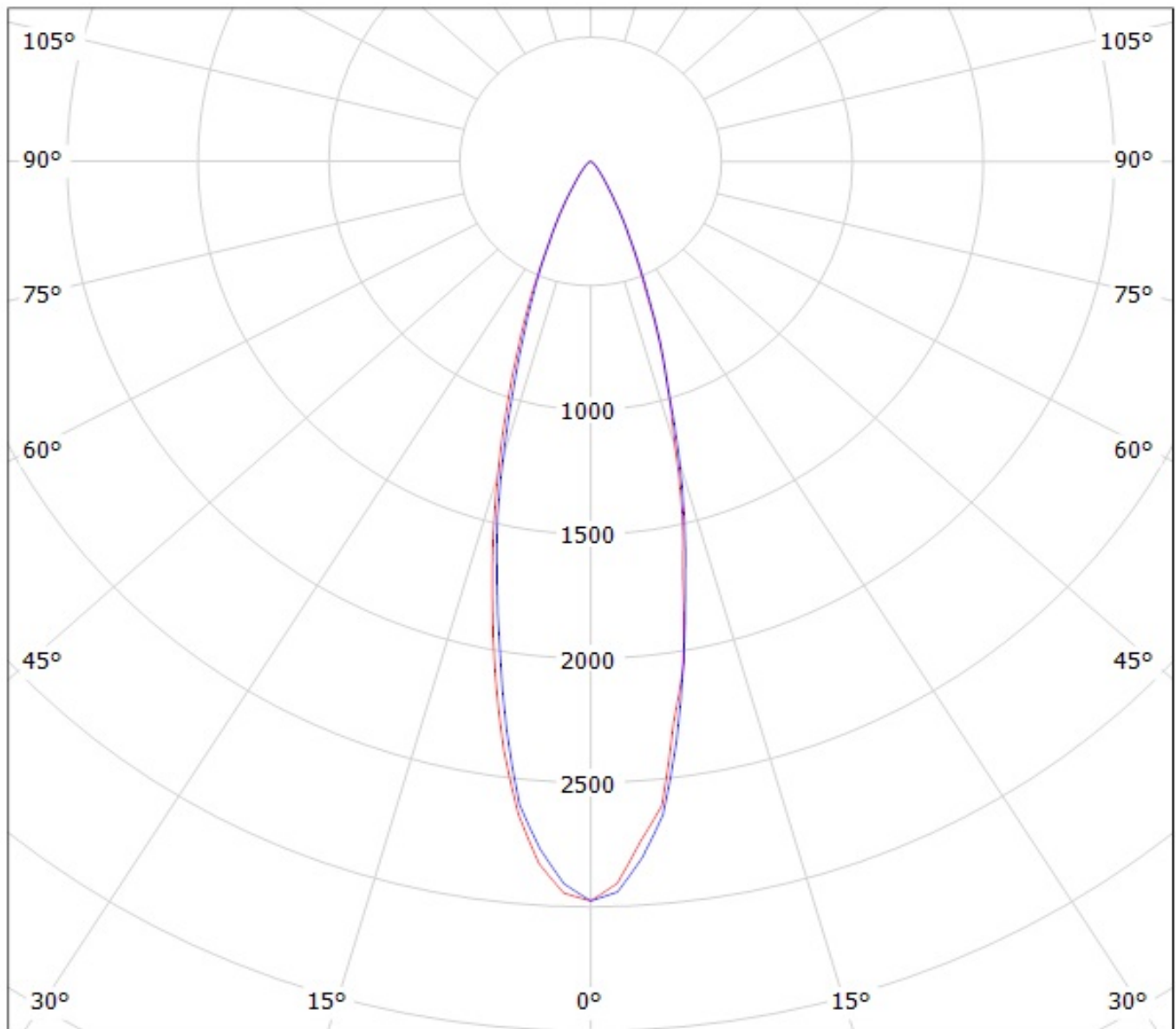
— C0 - C180 — C90 - C270

Luminaire: Ledil Oy CP12633_LAURA-M-PG (Luxeon A 70lm @ 250mA) Efficiency=93%
Lamps: 1 x Luxeon A 70lm @ 250mA



cd/klm
— C0 - C180 — C90 - C270

Luminaire: Ledil Oy CP12633_LAURA-M-PG (Nichia NVS19 98lm @ 250mA) Efficiency=91%
Lamps: 1 x Nichia NVS19 98lm @ 250mA

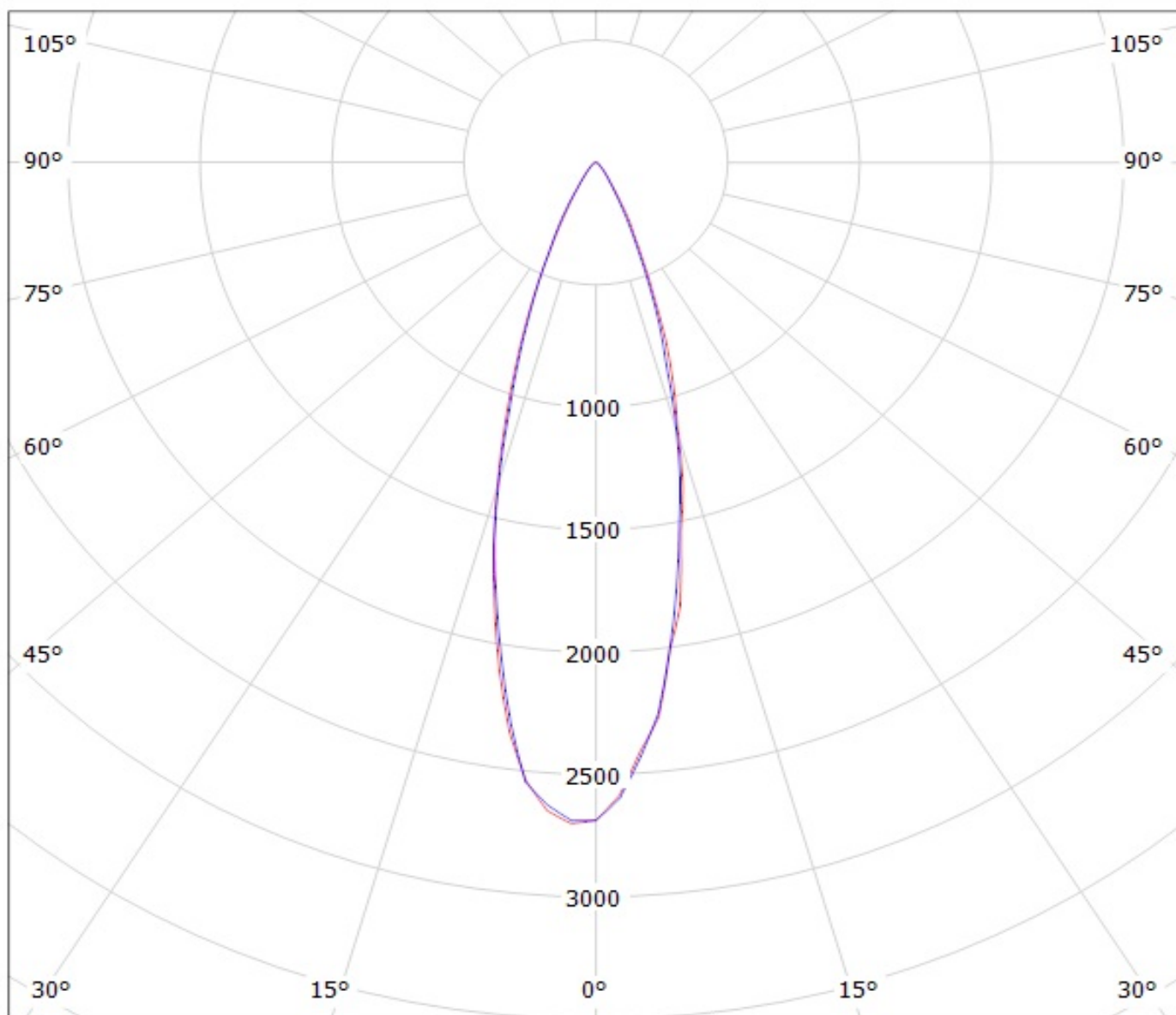


cd/klm

— C0 - C180

— C90 - C270

Luminaire: Ledil Oy CP12633_LAURA-M-PG (Osram Square 78lm @ 250mA) Efficiency=90%
Lamps: 1 x Osram Square 78lm @ 250mA



cd/klm

— C0 - C180

— C90 - C270

NOTE: The typical divergence will be changed by different color, chip size and chip position tolerance. The typical total divergence is the full angle measured where the luminous intensity is half of the peak value.