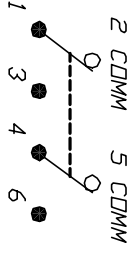


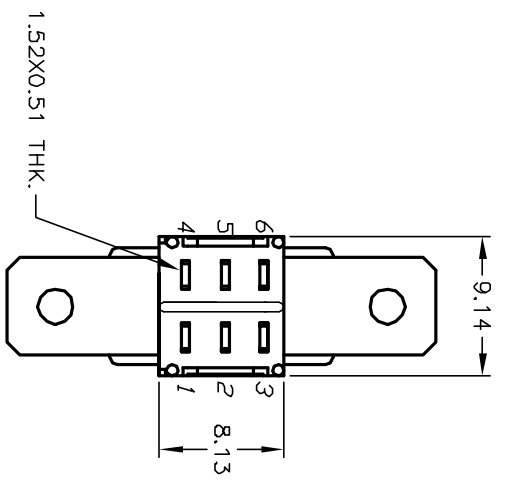
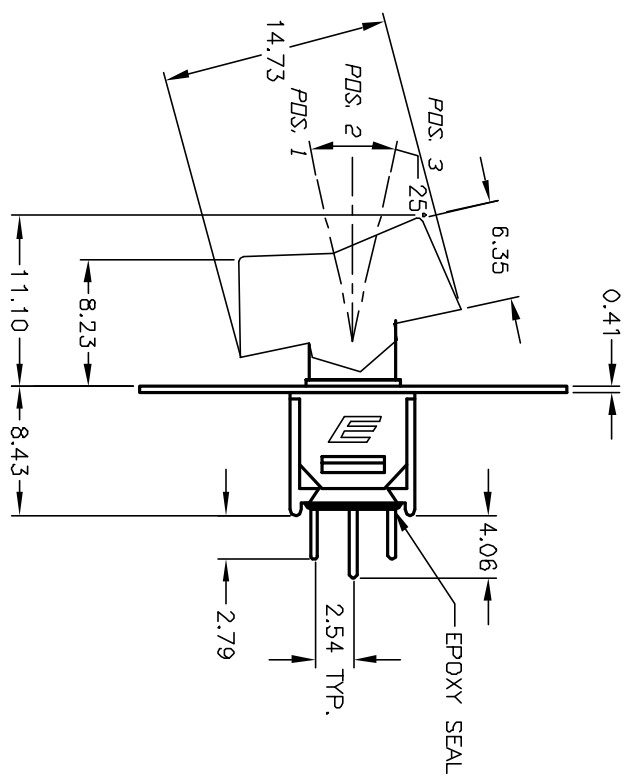
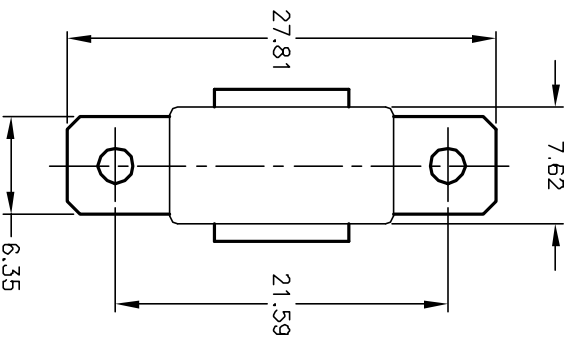
RECOMMEND PANEL MOUNTING



CIRCUIT: DPDT

CONTACT CONFIGURATION

SWITCH FUNCTION		
POS. 1	POS. 2	POS. 3
DN	OFF	DN
2-3,5-6	OPEN	2-1,5-4



- NOTES:
1. ALL DIMENSIONS IN MM
  2. GENERAL TOLERANCE: X.X=±0.4  
X.XX=±0.25
  3. TERM. NOS. FOR REFERENCE ONLY.
  4. RATING: 3 Amps @120 VAC or 28 VDC; 1 Amp @250 VAC.

REV.	ECN No.	DESCRIPTION	DATE	CHKD
A	12972	RELEASED FOR PRODUCTION	3/28/03	AR

TITLE		SCALE	DATE	DR	DWG	REV
400MDP3R1WHTM1QF		2:1	3/28/03	AR	T427000	A

**E-SWITCH®**

THE INFORMATION CONTAINED IN THIS DOCUMENT IS PROPRIETARY TO E-SWITCH AND IS NOT TO BE COPIED OR TRANSFERRED