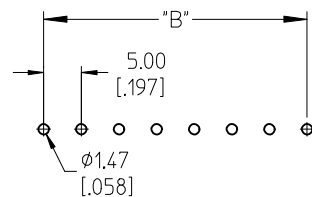


AUXILIARY VIEWS  
SCALE 1:1

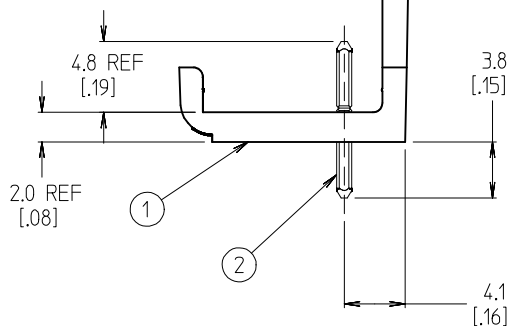
NOTES:

1. MATERIAL: SEE TABLE
2. FINISHES: SEE TABLE
3. MATES WITH: 99 SERIES PLUG
4. INCH DIMENSIONS ARE SHOWN IN BRACKETS [XXX].
5. "XX" REFERS TO QTY OF CIRCUITS
6. ALL COMPONENTS ARE ROHS COMPLIANT.

5-18 CIRCUIT TYPICAL  
(6 CIRCUIT SHOWN)



RECOMMENDED PTH PATTERN  
SCALE 2:1



(F)

ASSEMBLY MATERIAL NO. (STANDARD)	NUMBER OF CIRCUITS "XX"	DIM. ± 0.25 "A" [± .10]	DIM. "B"	DIM. "C"
399900402	02	10.59 [417]	5.00 [197]	N/A
399900403	03	15.60 [614]	10.00 [394]	5.00 [197]
399900404	04	20.60 [811]	15.00 [591]	5.00 [197]
399900405	05	25.60 [1008]	20.00 [787]	5.00 [197]
399900406	06	30.61 [1205]	25.00 [984]	10.00 [394]
399900407	07	35.61 [1402]	30.00 [1181]	10.00 [394]
399900408	08	40.61 [1599]	35.00 [1378]	15.00 [591]
399900409	09	45.62 [1796]	40.00 [1575]	15.00 [591]
399900410	10	50.62 [1993]	45.00 [1772]	20.00 [787]
399900411	11	55.63 [2190]	50.00 [1968]	20.00 [787]
399900412	12	60.63 [2387]	55.00 [2165]	25.00 [984]
399900413	13	65.63 [2584]	60.00 [2362]	25.00 [984]
399900414	14	70.64 [2781]	65.00 [2559]	30.00 [1181]
399900415	15	75.64 [2978]	70.00 [2756]	30.00 [1181]
399900416	16	80.65 [3175]	75.00 [2953]	35.00 [1378]
399900417	17	85.65 [3372]	80.00 [3150]	35.00 [1378]
399900418	18	90.65 [3569]	85.00 [3346]	40.00 [1575]

ITEM	QTY	DESCRIPTION	MATERIAL	FINISH
2	XX	HEADER PIN (STANDARD)	BRASS	TIN
1	1	MOLDING	NYLON	BLACK

REMOVED GOLD OPT EC NO: IPG2016-1388 TIDRWHRSTONE 2016/04/13 CHKD:MZILEL INSK1 2016/04/20 APPR:BRUPERT 2016/04/22	QUALITY SYMBOLS ▽=0 ▽=0	GENERAL TOLERANCES (UNLESS SPECIFIED)		DIMENSION STYLE		SCALE	DESIGN UNITS	THIRD ANGLE PROJECTION			
				MM/IN			INCH				
				DRAWN BY DATE		TITLE		5.00/.197 SINGLE ROW EUROSTYLE HEADER ASSEMBLY			
				C. YORK 2003/08/12		P. WALTZ 2003/12/04					
		CHECKED BY DATE		APPROVED BY DATE		MATERIAL NO.		DOCUMENT NO.			
		P. WALTZ 2003/12/04		G. ROBERTSON 2003/12/08		SD-39990-002		SHEET NO.			
		ANGULAR ± 2 °		DRAFT WHERE APPLICABLE MUST REMAIN WITHIN DIMENSIONS		SEE CHART		1 OF 1			
		SIZE B		THIS DRAWING CONTAINS INFORMATION THAT IS PROPRIETARY TO MOLEX INCORPORATED AND SHOULD NOT BE USED WITHOUT WRITTEN PERMISSION							