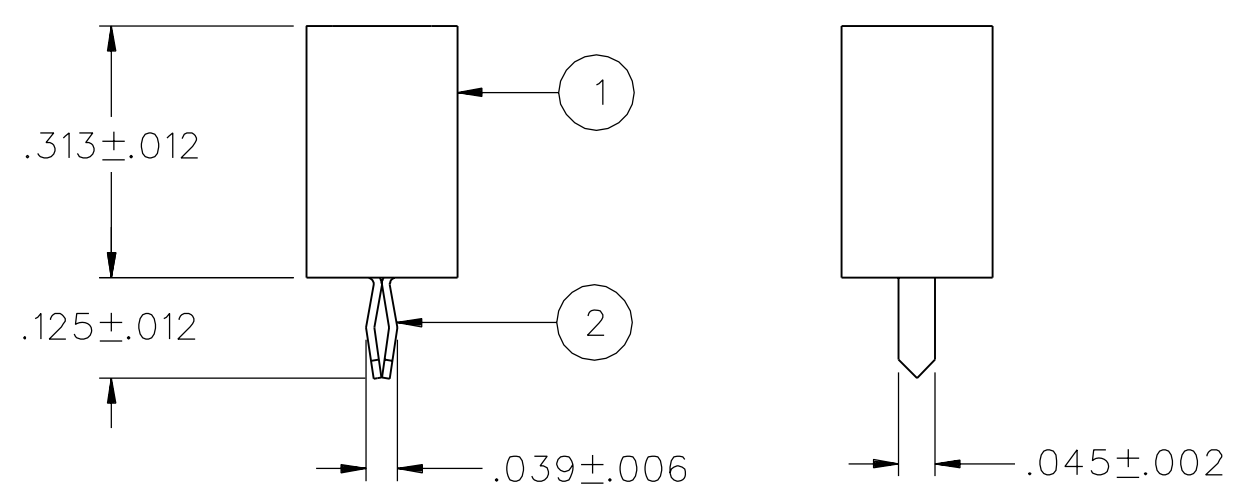
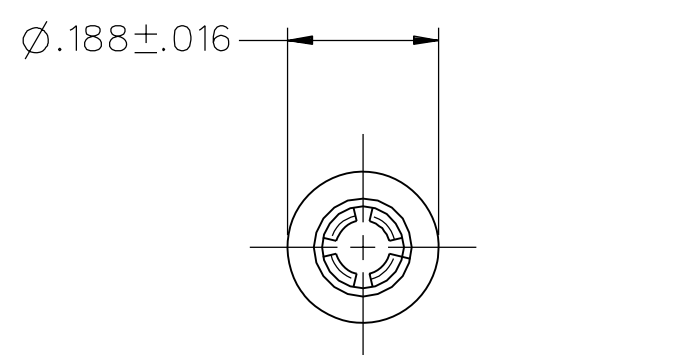


PART NUMBER	ITEM ① SLEEVE	COLOR	ITEM ② CONTACT
105-2201-201	NYLON	WHITE	BERYLLIUM COPPER SILVER PL .0001 MIN
105-2202-201		RED	
105-2203-201		BLACK	
105-2204-201		GREEN	
105-2205-201			
105-2206-201		ORANGE	
105-2207-201		YELLOW	
105-2208-201		BROWN	
105-2209-201			
105-2210-201		BLUE	
105-2211-201			
105-2212-201		VIOLET	
105-2213-201		GRAY	
105-2214-201			
105-2215-201			
105-2216-201			
105-2217-201			
105-2218-201			
105-2219-201			
105-2220-201			




NOTES:
SPECIFICATIONS:
ELECTRICAL:
CURRENT RATING: 5 AMPS DC MINIMUM
DIELECTRIC WITHSTANDING VOLTAGE: 5000 VDC MIN AT SEA LEVEL
INSULATION RESISTANCE: 5000 MEGOHMS MIN
CONTACT RESISTANCE: 10 MILLIOHMS MAXIMUM
CAPACITANCE: 1 PF NOMINAL
MECHANICAL:
INSERTION/WITHDRAWAL FORCE: .5 - 5.0 POUNDS
CONTACT RETENTION IN INSULATOR FORCE: 7 LBS MIN
CONTACT RETENTION IN INSULATOR TORQUE: NOT APPLICABLE
INSULATOR RETENTION IN .062 PANEL FORCE: NOT APPLICABLE
MOUNTING THREAD STRIPPING TORQUE: NOT APPLICABLE
RESISTANCE TO TEST PROBE DAMAGE TORQUE: 2 IN LB MIN
MATING TIP PLUG DIAMETER: .080
DURABILITY: 1000 CYCLES MINIMUM
ENVIRONMENTAL:
(MEETS OR EXCEEDS THE APPLICABLE PARAGRAPH OF MIL-C-39024)
OPERATING TEMPERATURE: -55 DEG C TO 85 DEG C
TEMPERATURE RISE AT RATED CURRENT: 10 DEG C MAXIMUM
CORROSION: MIL-STD-1344, METHOD 1001, CONDITION B
SHOCK: MIL-STD-1344, METHOD 2004, CONDITION G
VIBRATION: MIL-STD-1344, METHOD 2005, CONDITION I
HUMIDITY: MIL-STD-1344, METHOD 1002, CONDITION B

DRAWING NO.
B - 105-2201/2220-201
0 REVISIONS
ENGINEERING RELEASE

* REVISION NUMBER FOLLOWED BY AN ALPHA *
* CHARACTER INDICATES DRAWING CLARIFI- *
* CATION OR PART NUMBER ADDITION ONLY. *

16a 10-6-93 R H R J B ECO 42095

CUSTOMER DRAWING
THIS DRAWING TO BE INTERPRETED
PER ASME Y 14.5M - 1994
"μSTATION"
COMPANY CONFIDENTIAL

TOLERANCE UNLESS OTHERWISE SPECIFIED		DRAWN BY	DATE	 Cinch CONNECTIVITY SOLUTIONS a bel group	Cinch Connectivity Solutions P.O. Box 1732 Waseca, MN 56093 1-800-247-8256	
DECIMALS	mm	RJB	9-21-93		TITLE	TIP JACK, VERTICAL PC MOUNT FOR .080 DIA PLUG
.XX	_____	CHECKED BY	DATE	SHEET	DRAWING NO.	
.XXX	_____	APPROVED BY	DATE	2 OF 2	B - 105-2201/2220-201	
MATL	_____	RJB	10-6-93			
FINISH	_____	RELEASE DATE	(7-11-91)			
		U/M	INCH	SCALE	4:1	