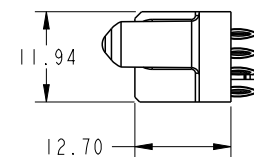
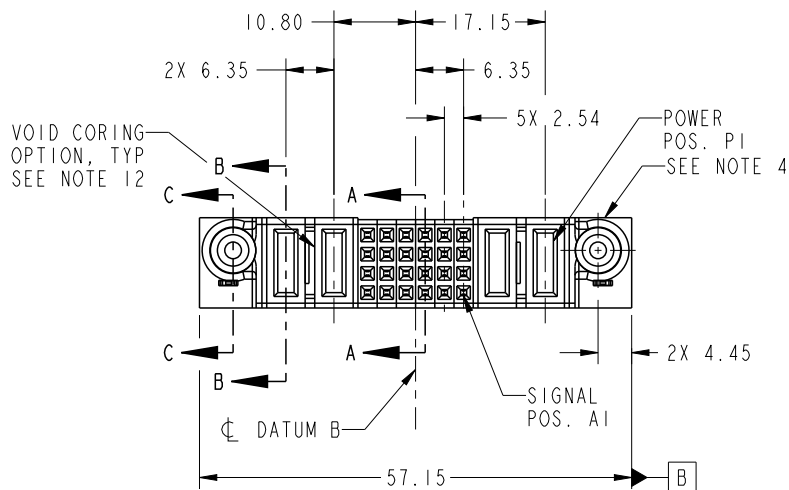


PRODUCT NO.	ROWS	POWER		SIGNAL							POWER				
		E2	P4	P3	6	5	4	3	2	1	P2	P1	E1		
51750-118-- NOTE: 3	D C B A		PC	PF	F	F	F	F	F	F	F	F	PC	PF	

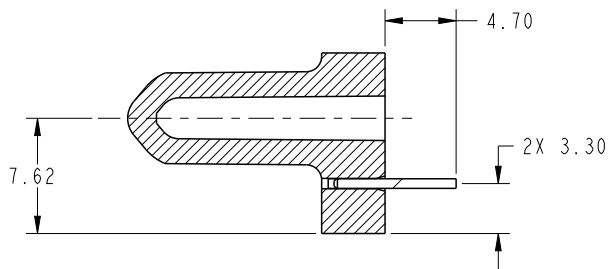
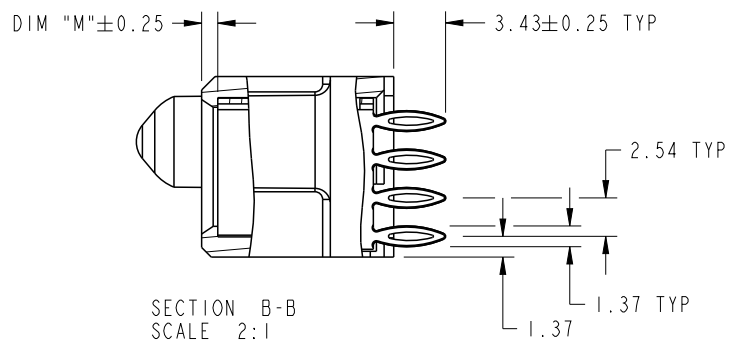
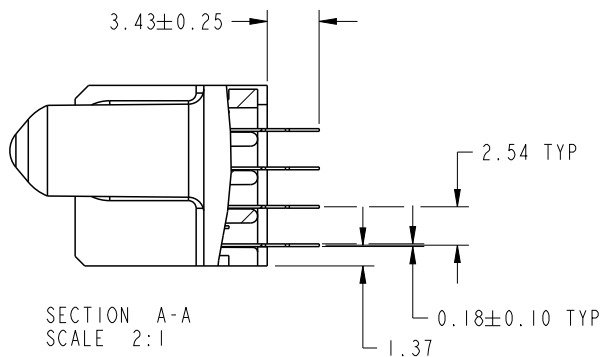


CODE	DIM "M" MATING LENGTH	CONTACT TYPE
PF	[2.34]	POWER
F	[N/A]	SIGNAL
HA	[N/A]	HOLD-DOWN
PC	[1.07]	POWER

spec ref	SEE NOTE			dr	Guang, Shi	2012/02/06	projection 	MM ←→	size	A4	scale	1:1	
tolerance std	TOLERANCES UNLESS OTHERWISE SPECIFIED			eng	Luo Weller	2012/09/19			ecn no	-			
see notes				chr	-	-							
surface	linear	0.X	±0.50	appr	Pei-Ming Zheng	2012/09/19	product family	PwrBlade	rel level	Released			
		0.XX	±0.25				title	2P + 24S + 2P		dwg no	51750-118	rev	A
		0.XXX	±0.10				www.fci.com	cat. no.	Product - Customer Drw				
	angular	0°	±2°										

PRODUCT NUMBER

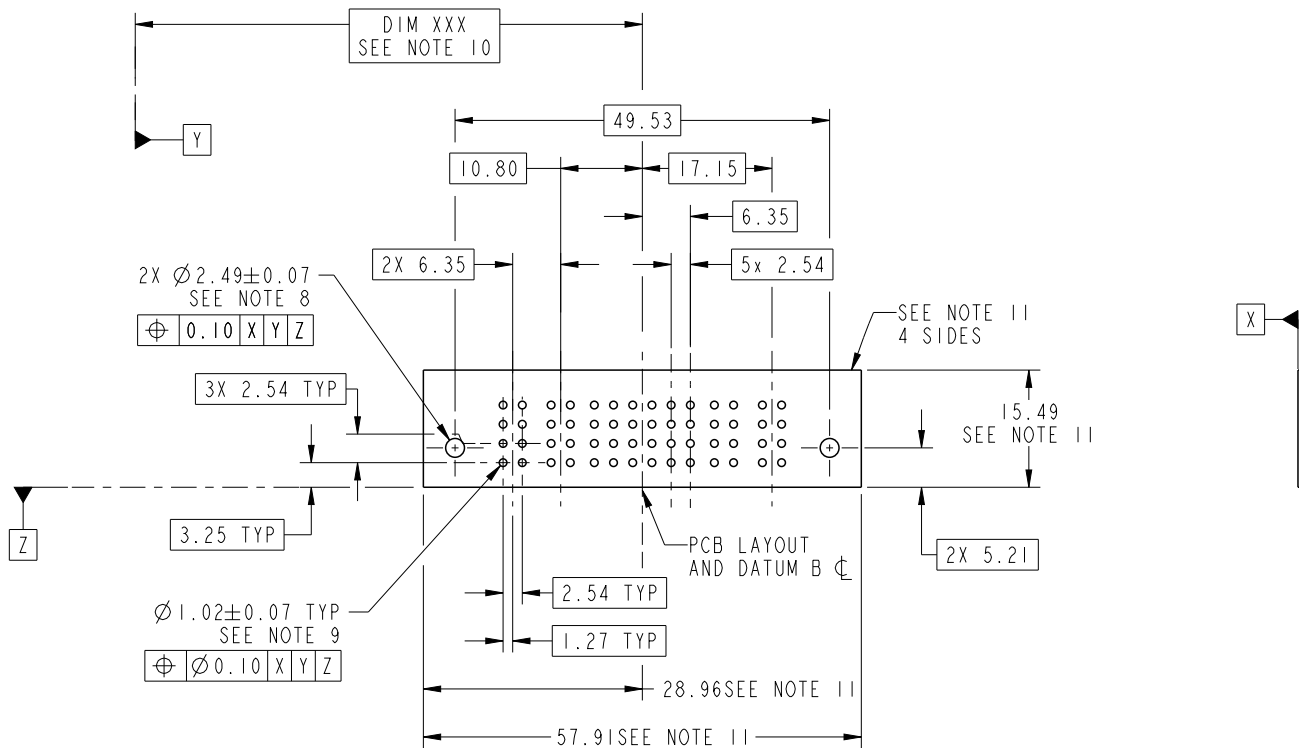
51750-118:--
NOTE: 3



dr	Guang, Shi	2012/02/06	projection 	MM 	size	A4	scale	1:1
eng	Luo Weller	2012/09/19			ecn no	-		
chr	-	-			rel level	Released		
appr	Pei-Ming Zheng	2012/09/19	product family	PwrBlade	rev	A		
		title 2P + 24S + 2P VERTICAL PF RECEPT	dwg no 51750-118	www.fci.com	cat. no.	Product - Customer Drw	sheet 2 of 4	

PRODUCT NUMBER

51750-118:--
NOTE: 3



RECOMMENDED PCB LAYOUT

dr	Guang, Shi	2012/02/06	projection 	MM 	size	A4	scale	1:1
eng	Luo Weller	2012/09/19			ecn no	-		
chr	-	-			rel level	Released		
appr	Pei-Ming Zheng	2012/09/19	product family	PwrBlade	rev	A		
	title	2P + 24S + 2P VERTICAL PF RECEPT		dwg no	51750-118			
www.fci.com	cat. no.	Product - Customer Drw			sheet 3 of 4			



PRODUCT NUMBER

51750-118:--
NOTE: 3

NOTES:

1. DIMENSIONS AND TOLERANCES ARE IN ACCORDANCE WITH ASME Y14.5M, 1994 UNLESS OTHERWISE SPECIFIED.

CONNECTOR NOTES:

- ② HOUSING MATERIAL: UL 94 V-0 GLASS FILLED HIGH-TEMP THERMOPLASTIC
POWER CONTACT MATERIAL: COPPER ALLOY
SIGNAL PIN MATERIAL: COPPER ALLOY
- 3. SEE ITEM 7& 8 IN PRINT 10064183 FOR PLATING SPEC OF 51750-118 AND 51750-118LF RESPECTIVELY.
- ④ MANUFACTURER'S NAME, DATE CODE AND OPTIONAL P/N TO APPEAR ON THIS SURFACE. THE P/N CAN BE OMITTED IF THERE IS NOT ENOUGH SPACE ON THIS SURFACE.
- 5. PRODUCT SPECIFICATION GS-12-149.
APPLICATION SPECIFICATION BUS-20-067.
- 6. PACKAGED IN TRAYS.
- PCB NOTES:
- 7. ALL HOLE DIAMETERS ARE FINISHED HOLE SIZE.
- ⑧ MOUNTING HOLES, WHERE APPLICABLE, ARE UNPLATED.
- ⑨ $\varnothing 1.151 \pm 0.025$ DRILLED HOLES PLATED WITH
0.008 MIN SnPb OR Sn OVER 0.03
TO 0.08 Cu PLATING TO ACHIEVE
 $\varnothing 1.02 \pm 0.07$ HOLE.
- ⑩ "DIM XXX" TO BE DETERMINED BY THE CUSTOMER.
- ⑪ CONNECTOR KEEP-OUT ZONE.
- 12. THE VOID CORING IN BETWEEN POWER MODULES, SIGNAL MODULES AND END MODULES ARE OPTIONAL AND THE SHAPE MAY BE DIFFERENT FOR OPTIMIZE THE MOLDING PROCESS. THE VOID CORING WILL NOT EFFECT TO PRODUCT FUNCTION.

dr	Guang, Shi	2012/02/06	projection 	MM 	size	A4	scale	1:1
eng	Luo Weller	2012/09/19			ecn no	-		
chr	-	-			product family	PwrBlade	rel level	Released
appr	Pei-Ming Zheng	2012/09/19			title 2P + 24S + 2P VERTICAL PF RECEPT	dwg no 51750-118	rev A	
www.fci.com		cat. no.	Product - Customer Drw			sheet 4 of 4		