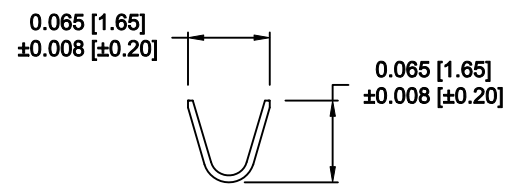
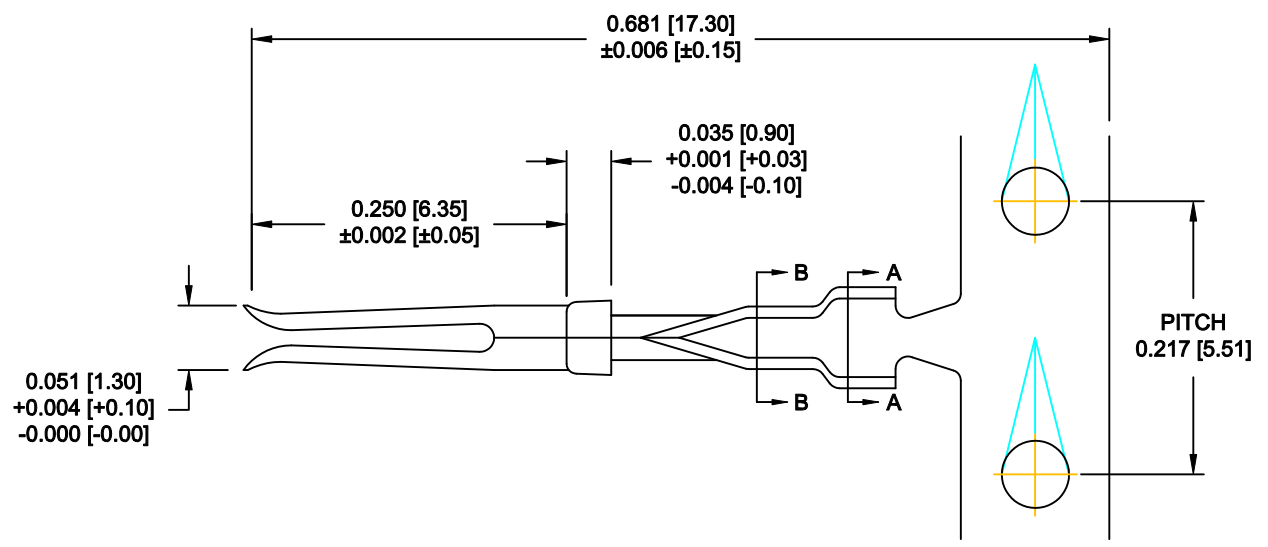
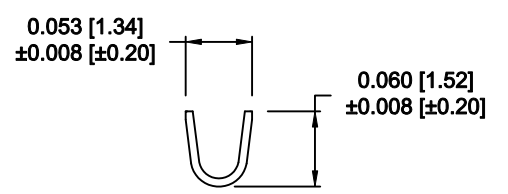
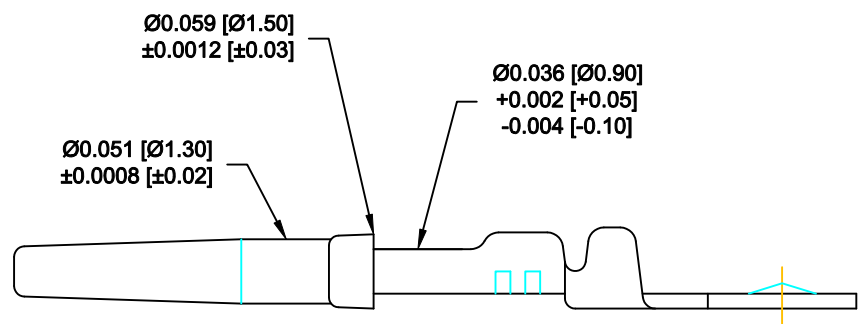


NOTES:

MATERIAL: PHOSPHOR BRONZE
 PLATING: 10u" GOLD OVER 50u" NICKEL
 NICKEL ON WIRE CRIMP AREA
 WIRE SIZE: 24-26 AWG



SECTION A - A



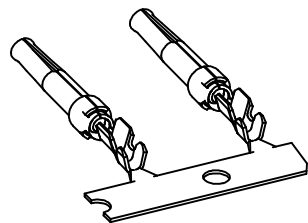
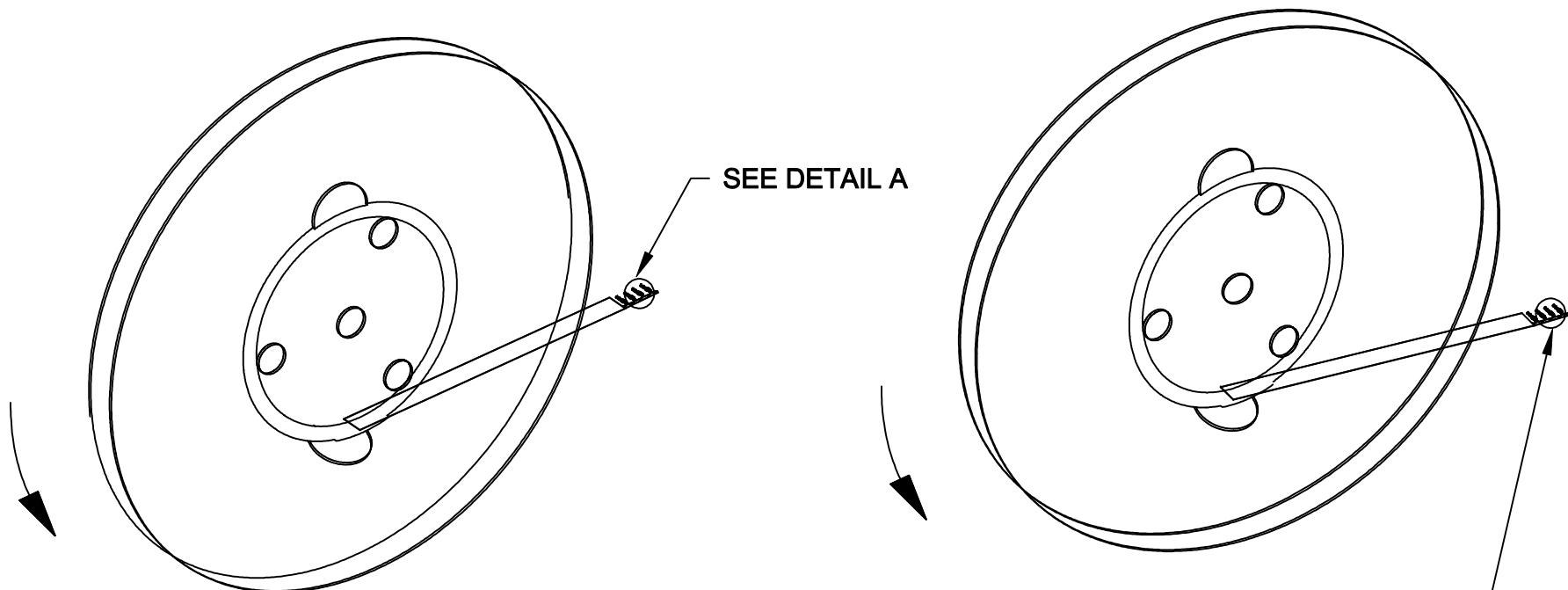
SECTION B - B

FOR CLARITY
 HIDDEN LINES
 NOT SHOWN

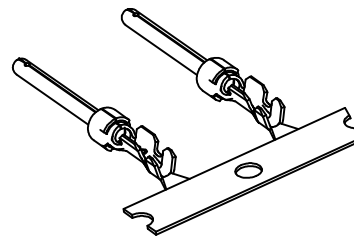
DO NOT SCALE FROM DRAWING

	THESE DRAWINGS AND SPECIFICATIONS ARE THE PROPERTY OF NorComp AND SHALL NOT BE REPRODUCED, COPIED OR USED AS THE BASIS FOR THE MANUFACTURE OF SALE OF APPARATUS WITHOUT WRITTEN PERMISSION.		DRAWN: C. SMITH	DATE: 02-13-09
			CHECKED:	DATE:
<h1>NorComp</h1>		SCALE: 6 : 1	SHEET 1 OF 2	REV 6
		DWG NO. 180-002-170L001		


RoHS COMPLIANT



DETAIL A



DETAIL B

	THESE DRAWINGS AND SPECIFICATIONS ARE THE PROPERTY OF NorComp AND SHALL NOT BE REPRODUCED, COPIED OR USED AS THE BASIS FOR THE MANUFACTURE OF SALE OF APPARATUS WITHOUT WRITTEN PERMISSION.		DRAWN: PAM JENKINS	DATE: 02-13-09
	<h1>NorComp</h1>		CHECKED:	DATE:
SCALE:			SHEET 2 OF 2	REV 6
			DWG NO.	180-002-170L001