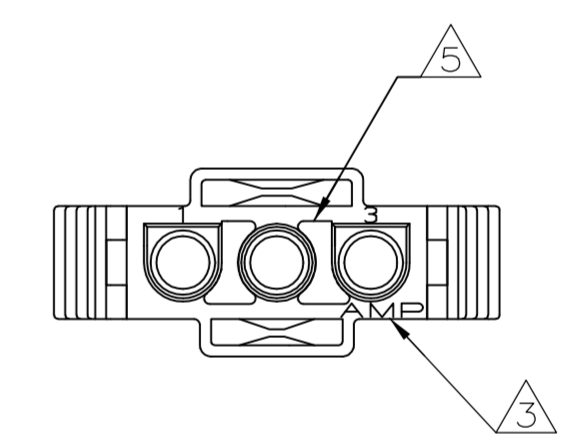


- 1. BULK PACKAGED, UNASSEMBLED.
- 2. APPROVAL AGENCY LOGO LOCATED APPROXIMATELY AS SHOWN.
- 3. AMP LOGO LOCATED THIS SURFACE.
- 4. CIRCUIT NUMBER ONE IDENTIFICATION BUTTON AND CIRCUIT IDENTIFICATION NUMBERS ARE EACH LOCATED ADJACENT TO THE APPROPRIATE CIRCUIT CAVITIES.
- 5. NEW MOLD CONSTRUCTION PROVIDES MATERIAL REDUCTION CORING AT BASE OF SILOS WITH NO CORING AS OPTIONAL.
- 6. DIMENSION INDICATED IS AS MOLDED. ADDITIONAL GROWTH DUE TO SUBSEQUENT MOISTURE ABSORPTION MAY OCCUR.



VIEW A-A
 SCALE 2:1

770018-1
 PART NUMBER

METRIC

THIS DRAWING IS A CONTROLLED DOCUMENT.		DWN K. SALMON 1-22-92	TE Connectivity	
DIMENSIONS: INCHES		CHK R. SWING 1-22-92	NAME	
TOLERANCES UNLESS OTHERWISE SPECIFIED:		APVD M. TRULL 1-22-92	PLUG HOUSING KIT, 3 CIRCUIT, IN-LINE, TM II UNIVERSAL MATE-N-LOK II	
0 PLC ± -	1 PLC ± -	APPLICATION SPEC	SIZE	CAGE CODE
2 PLC ± -	3 PLC ± 0.13 [.005]	WEIGHT	A1	00779
4 PLC ± -	ANGLES ± ± -	CUSTOMER DRAWING	SCALE	5:1
MATERIAL NYLON,UL94V-0,	FINISH	RESTRICTED TO	SHEET	1 OF 1
			REV	E1