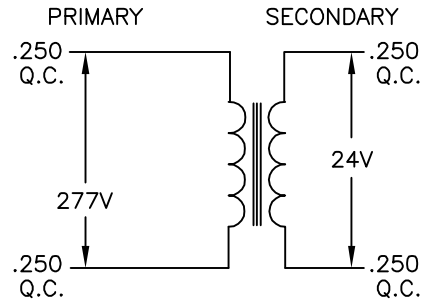
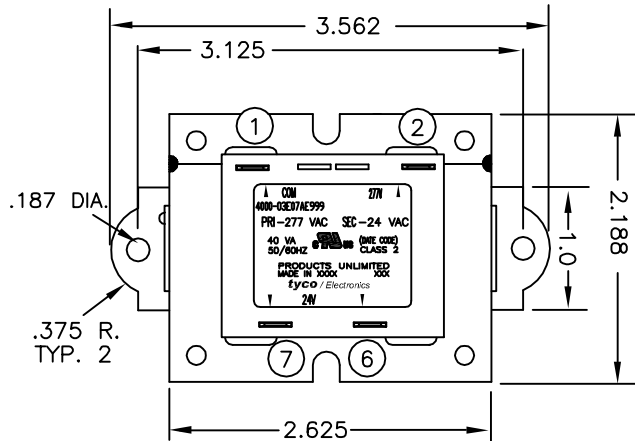


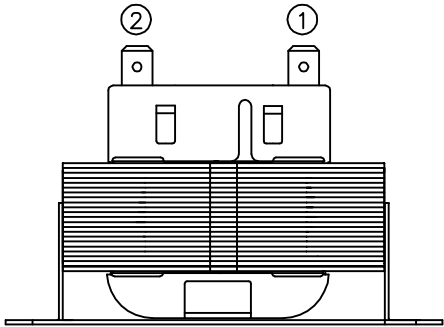
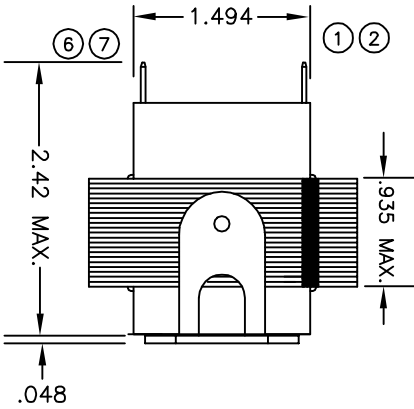
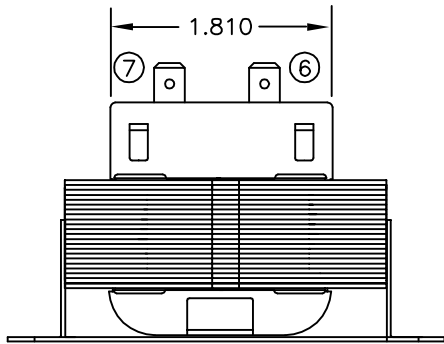
THIS DRAWING IS UNPUBLISHED. RELEASED FOR PUBLICATION
 © COPYRIGHT - BY TYCO ELECTRONICS CORPORATION. ALL RIGHTS RESERVED.

LOC	DIST	REVISIONS					
GZ	00	P	LTR	DESCRIPTION	DATE	DWN	APVD
		A		NEW FORMAT & EC0720-0089-04	16FEB04	MD	KH

PRIMARY			NOTES 1. DIMENSIONS FOR REFERENCE ONLY. 2. WINDING PROTECTION-INHERENTLY LIMITING	CERTIFICATION: UL & CUL FILE NO. E87824		
TERMINAL NO.	1	2		SECONDARY		
VOLTAGE	COM	277		TERMINAL NO.	6	7
TERMINAL WIDTH	.250	.250		VOLTAGE	24	VAC
TERMINAL THICKNESS	.032	.032		TERMINAL WIDTH	.250	.250
			TERMINAL THICKNESS	.032	.032	



ALL Q.C. .250 X .032



THIS DRAWING IS A CONTROLLED DOCUMENT.

DIMENSIONS:	TOLERANCES UNLESS OTHERWISE SPECIFIED:
INCHES	
	0 PLC ± -
	1 PLC ± -
	2 PLC ± -
	3 PLC ± -
	4 PLC ± -
	ANGLES ± -
MATERIAL	FINISH
-	-

DWN	M.DAVIS	16FEB04	CUST. NO.	-	TYCO PART NUMBER	2-1611454-8
CHK	K.HOLSCHUH	16FEB04				
APVD	K.HOLSCHUH	16FEB04	Tyco Electronics Corporation			
PRODUCT SPEC			Harrisburg, Pa 17105-3608			
APPLICATION SPEC			NAME			
			TRANSFORMER OUTLINE			
			-			
SIZE	A3	CAGE CODE	00779	DRAWING NO	C=4000-03E07AE999	RESTRICTED TO
CUSTOMER DRAWING			SCALE	NTS	SHEET	1 OF 1
			REV			
			A			