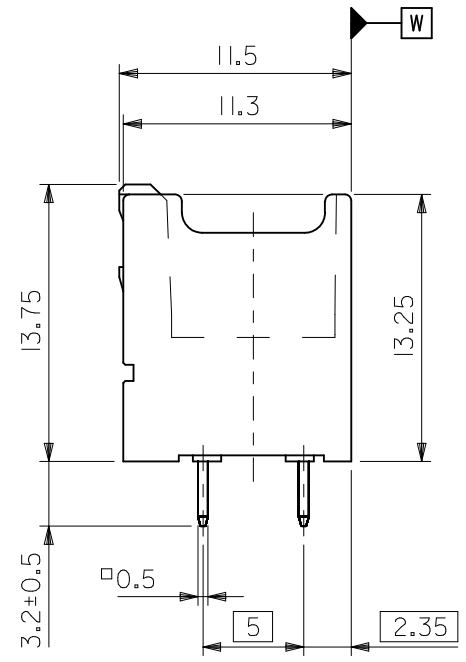


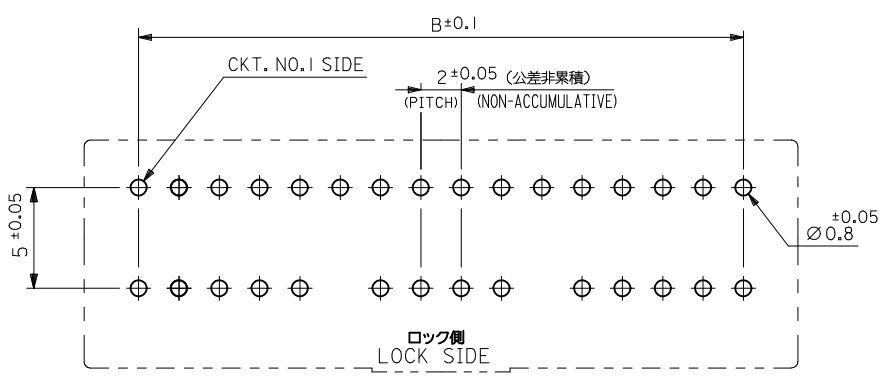
- 注記
NOTES
- 材料 MATERIAL
ピン : 黄銅, ニッケル下地銅メッキ
PIN : BRASS, Sn OVER Ni PLATED
ハウジング : PBT (ガラス入り: 15%), UL94V-0
HOUSING : PBT (G.F.: 15%), UL94V-0
 - 嵌合相手 : 500915シリーズ
MATE WITH : 500915 SERIES
△ (全極数/2) = 偶数の場合に適用。
APPLY FOR (CIRCUIT/2)=EVEN



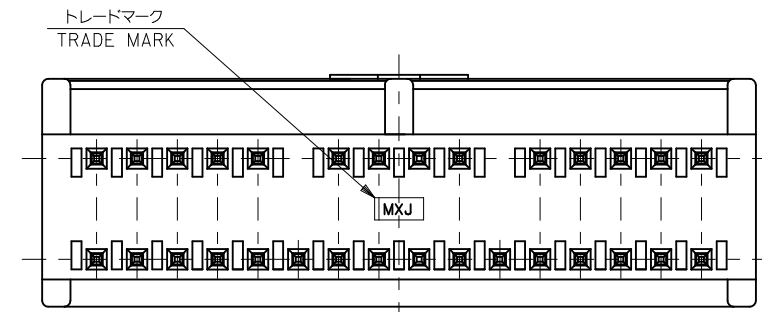
33.8	30	35.4	500637-3210	32
C	(B)	A	製品番号 MATERIAL NO.	極数 CKT.

RELEASED EC NO.: J2012-0292 2011/11/30 DRWN: NITO 2011/12/09 CHKD: KASAKAWA 2011/12/09 APPR: YONITO 2011/12/09	GENERAL TOLERANCES (UNLESS SPECIFIED)		DIMENSION STYLE MM ONLY		SCALE ---	DESIGN UNITS METRIC	THIRD ANGLE PROJECTION
	10 UNDER	±0.2	DRAWN BY M. NABEI	DATE '06/05/17	TITLE 2.0MM W/B DUAL HIGH-BOX CONN DIP PLUG HSG ASSY		
	10 OVER 30 UNDER	±0.25	CHECKED BY K. TOYODA	DATE '06/05/17	MOLEX INCORPORATED		
	30 OVER	±0.3	APPROVED BY N. UKITA	DATE '06/05/17	DOCUMENT NO. SD-500637-001		
ANGULAR ±3°		MATERIAL NO. SEE CHART		SHEET NO. 1 OF 2			
DRAFT WHERE APPLICABLE MUST REMAIN WITHIN DIMENSIONS		THIS DRAWING CONTAINS INFORMATION THAT IS PROPRIETARY TO MOLEX INCORPORATED AND SHOULD NOT BE USED WITHOUT WRITTEN PERMISSION					

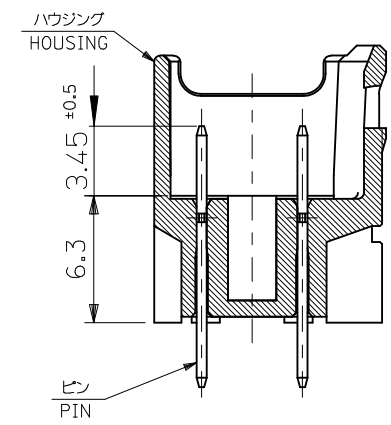
10 9 8 7 6 5 4 3 2 1



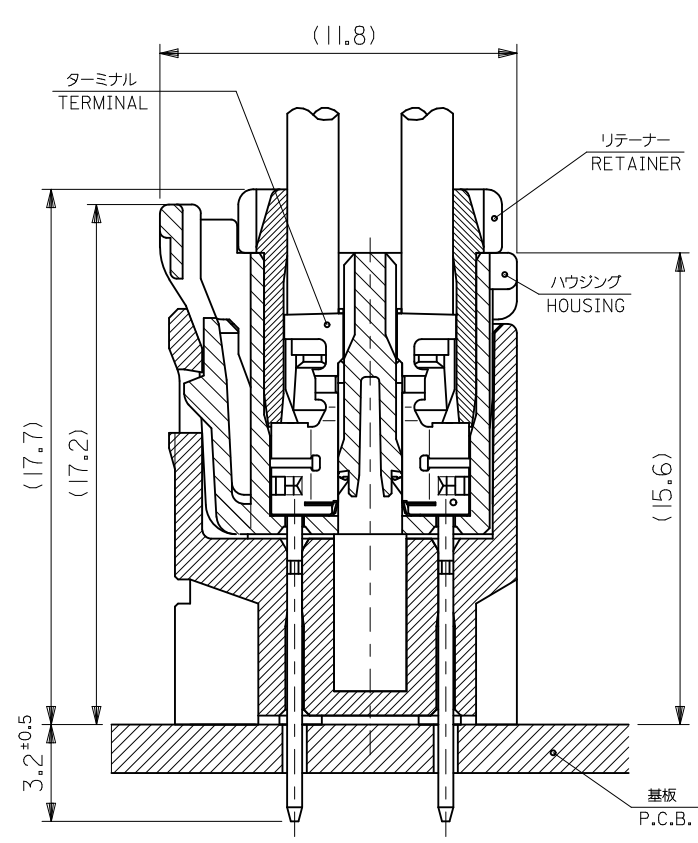
基板取付穴推奨寸法 (マウント面)
 RECOMMENDED P.C.B. BOARD
 HOLE DIMENSION
 (MOUNTING SIDE)
 (t=1.6)



VIEW "T"



SECT. R-R



嵌合断面図 (参考)
 MATED DRAWING (REF.)

RELEASED EC NO.: J2012-0292 DRWN: NITO 2011/11/30 CHKD: KASAKAWA 2011/12/09 APPR: YONITO 2011/12/09	DESCRIPTION 10 UNDER ±0.2 10 OVER 30 UNDER ±0.25 30 OVER ±0.3 ANGULAR ±3 ° DRAFT WHERE APPLICABLE MUST REMAIN WITHIN DIMENSIONS	GENERAL TOLERANCES (UNLESS SPECIFIED)		DIMENSION STYLE MM ONLY		SCALE ---	500637-***10 MODEL NO. DESIGN UNITS METRIC	THIRD ANGLE PROJECTION		
		DRAWN BY M. NABEI	DATE '06/05/17	TITLE 2.0MM W/B DUAL HIGH-BOX CONN DIP PLUG HSG ASSY		MOLEX INCORPORATED				
		CHECKED BY K. TOYODA	DATE '06/05/17	APPROVED BY N. UKITA		DATE '06/05/17	MOLEX INCORPORATED			
		MATERIAL NO. SEE CHART		DOCUMENT NO. SD-500637-001		SHEET NO. 2 OF 2				