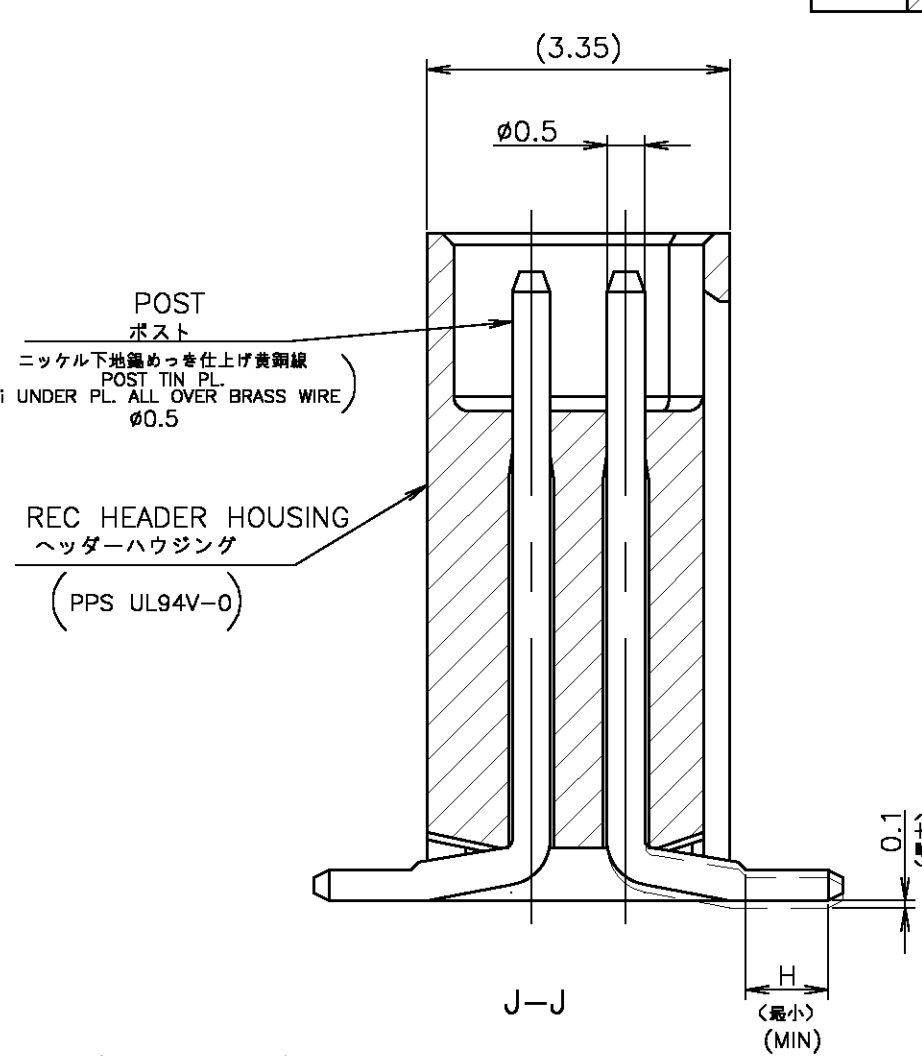
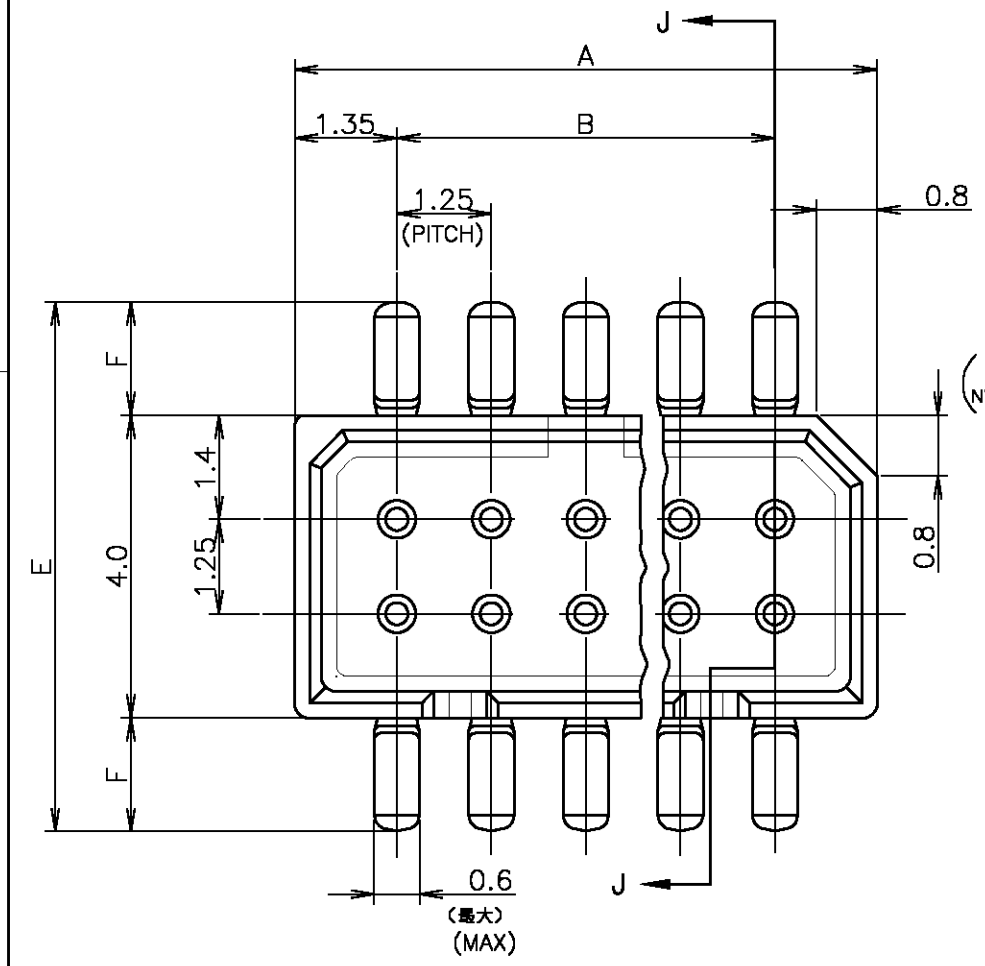


THIS DRAWING IS UNPUBLISHED. RELEASED FOR PUBLICATION NOV, 1990. ALL RIGHTS RESERVED.

© COPYRIGHT 1990 By -

LOC		DIST		REVISIONS		
J				変更		
P	LTR	DESCRIPTION		DATE	DWN	APVD
	D	REVISED PER ECR-11-001310		21APR11	T.T	T.M



POST
ポスト
(ニッケル下地鍍めつき仕上げ黄銅線
POST TIN PL.
Ni UNDER PL. ALL OVER BRASS WIRE
Ø0.5)

REC HEADER HOUSING
ヘッダーハウジング
(PPS UL94V-0)

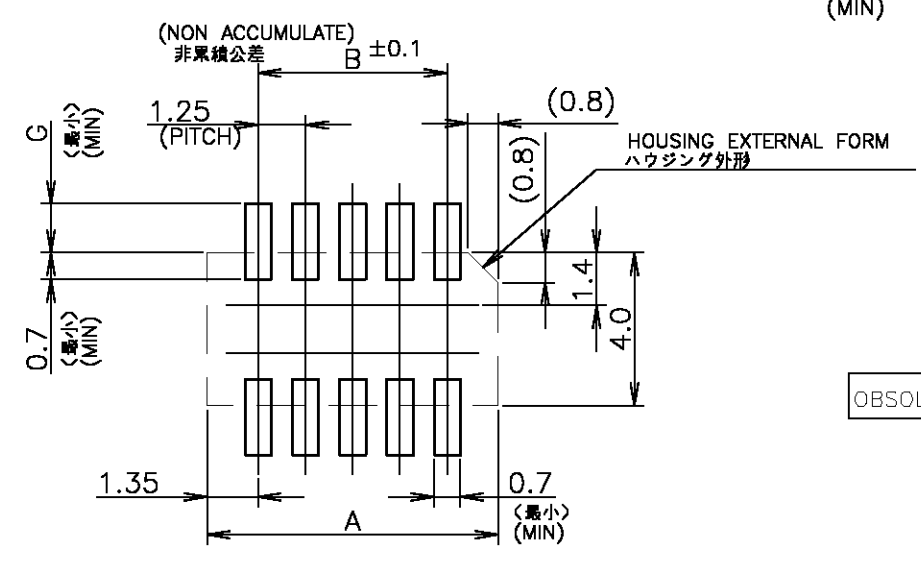
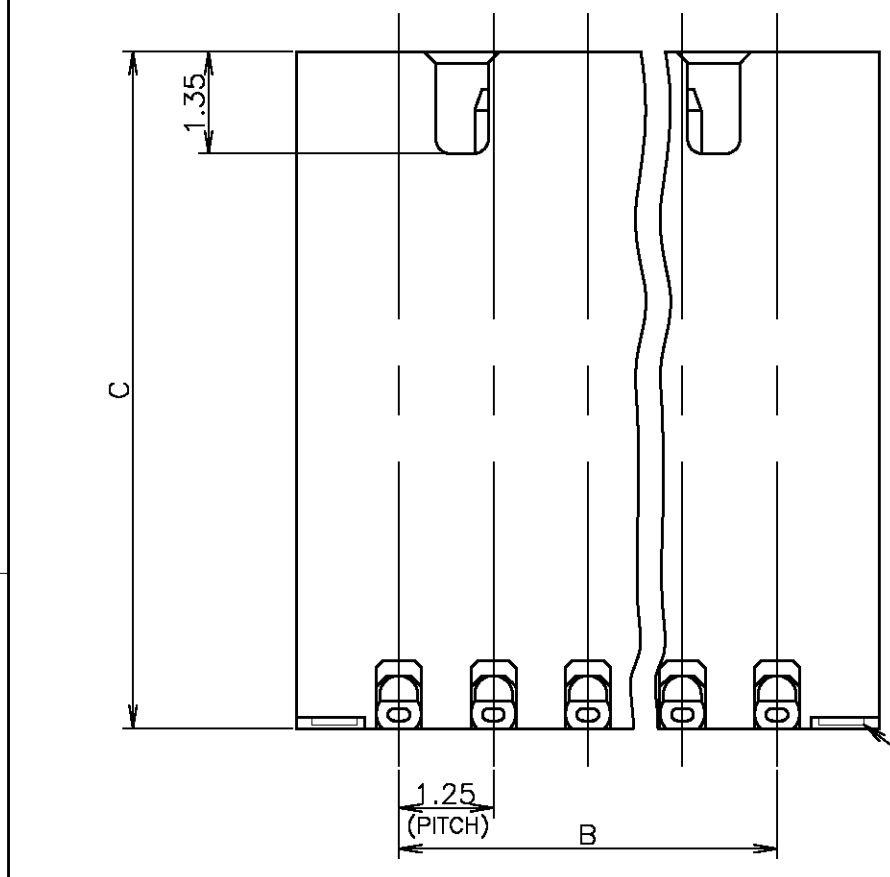
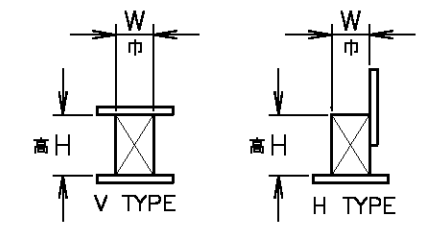
1 嵌合相手製品型番及び、嵌合時寸法は
MATING COUNTER PART NUMBER AND DIMENSIONS
表-1 参照のこと。
AFTER MATING: SEE TABLE 1.

嵌合時寸法: 巾(mm)×高さ(mm)
DIMENSIONS AFTER MATING: WIDE(mm) x HEIGHT(mm)

DIP TYPE	SMT TYPE WITHOUT BOSS X-178040-X		
	ハウジング高さ C寸法 HOUSING HEIGHT C DIMENSIONS		
	6.85	9.35	9.85
V TYPE X-176870-X	5.6 (巾W) × 8.0 (高さH)	7.0 (巾W) × 10.5 (高さH)	7.0 (巾W) × 11.0 (高さH)
H TYPE X-176892-X	5.6 (巾W) × 8.8 (高さH)	7.0 (巾W) × 11.3 (高さH)	7.0 (巾W) × 11.8 (高さH)
V TYPE WITHOUT BOSS X-176768X	5.6 (巾W) × 8.0 (高さH)	7.0 (巾W) × 10.5 (高さH)	7.0 (巾W) × 11.0 (高さH)
V TYPE WITH BOSS X-176311-X	5.6 (巾W) × 8.0 (高さH)	7.0 (巾W) × 10.5 (高さH)	7.0 (巾W) × 11.0 (高さH)
H TYPE WITHOUT BOSS X-176893-X	5.6 (巾W) × 9.9 (高さH)	7.0 (巾W) × 12.4 (高さH)	7.0 (巾W) × 12.9 (高さH)
H TYPE WITH BOSS X-176490-X	5.6 (巾W) × 9.9 (高さH)	7.0 (巾W) × 12.4 (高さH)	7.0 (巾W) × 12.9 (高さH)

TABLE 1 SMT TYPEは、巾及び高さ寸法に SMT TYPE INCLUDE DIMENSIONS 半田付タイプ寸法を含みます。 OF SOLDER DIP TIME.

- 2 基板位置決め用ボス切断跡。 CUT MAKE OF MOUNTING BOSS.
- 3 OBSOLETE PARTS: OBSOLETE CIS STREAMLINING PER D.RENAUD/D.SINISI



P.C.B MOUNTING LAYOUT
基板加工寸法
(適用基板厚: 0.6mm 最小)
(APPLICABLE P.C.B THK: 0.6mm MIN)

THIS DRAWING IS A CONTROLLED DOCUMENT.

DIMENSIONS: 単位: 耗 mm	TOLERANCES UNLESS OTHERWISE SPECIFIED: 一般公差
Ø PLC ±	10%以下 ±0.2
1-PLC ±	10%以下 30%以下 ±0.25
2-PLC ±	30%以下 100%以下 ±0.3
3-PLC ±	100%以下 ±0.3
4-PLC ±	100%以下 ±0.3
ANGLES ±	
MATERIAL 材料 AS SHOWN 図中参照	FINISH 仕上 AS SHOWN 図中参照

OBSOLETE	↑	↑	↑	↑	↑	6.85	17.00	17.70	26	8-	↑	-6
3	↑	1.0	2.0	1.5	7.0	9.35	12.50	15.20	22	5-	↑	-2
黒色 BLACK	0.4	1.3	0.8	5.6	6.85	13.75	16.45	24	2-178041-4			
色別 COLOR	H	G	F	E	C	B	A	極数 POS.		型番 P/N		
寸法 DIMENSIONS												

DWN S.KANEKI 06NOV1990
CHK J.TANIGAWA 06NOV1990
APVD S.KIKUCHI 06NOV1990

STE TE Connectivity

PRODUCT SPEC 製品規格 108-5246
APPLICATION SPEC 取付適用規格

NAME 名称 1.25 F-P CONNECTOR, B-TO-B
DOUBLE ROW POST HDR ASSY H TYPE
WITHOUT BOSS -IMPROVED TYPE

SIZE A3 CAGE CODE 00779 DRAWING NO. C-178041 RESTRICTED TO 番号

CUSTOMER DRAWING SCALE 10:1 SHEET 1 OF 1 REV D