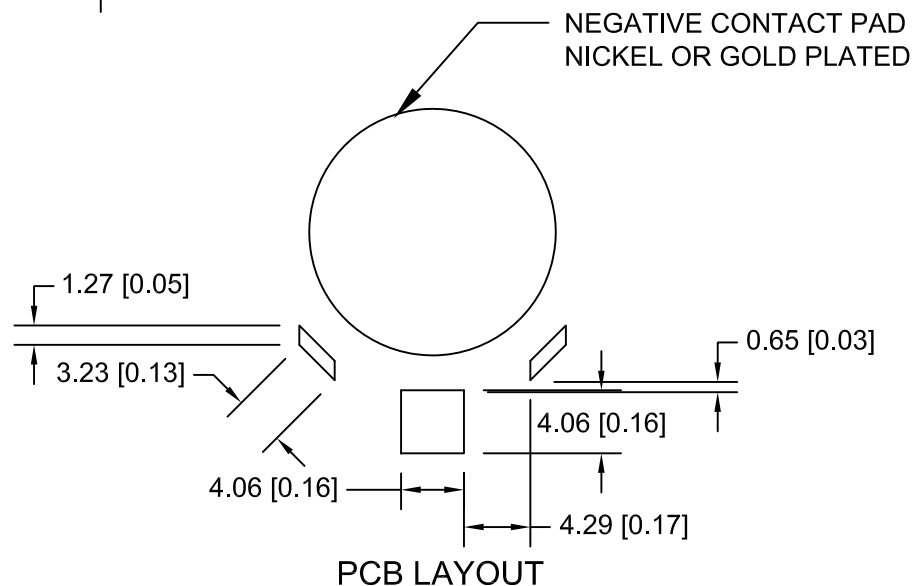
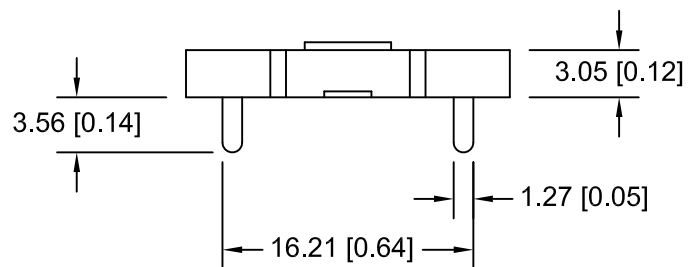
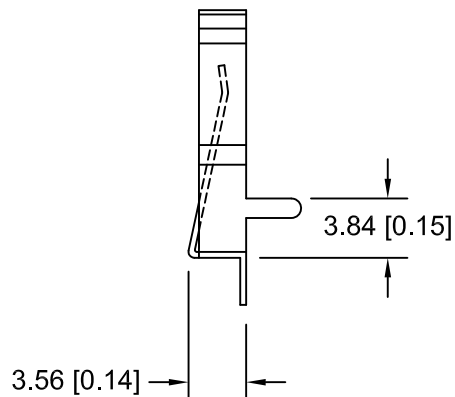
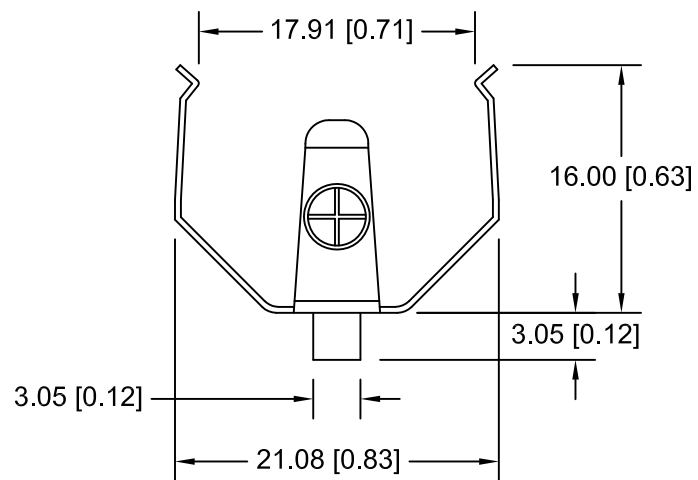


Date	SYM	REVISION RECORD	AUTH	DR.	CK.
10/21/16	A	Added PCB layout Updated Title	T.B.	B.S.	



**NOTES:**

1. MATERIAL:

0.25mm PHOSPHOR BRONZE, NICKEL PLATED OVERALL.  
ROHS 2 COMPLIANT


TEMPERATURE RANGE: -40°C TO +270°C

\* VIBRATION TEST: 10-50-10 HZ SWEEPED IN 60 SECONDS  
X,Y,Z DIRECTION: 1 HOUR EACH DIRECTION

\* RESULT: NO DISLODGE MENT OF THE CELL OR DAMAGE  
NO DISCONTINUITY OVER 10 MICRO-SECONDS

\* SHOCK TEST: HALF SINE WAVE ACCELERATION 150G.  
6 MILLISECON DS  
3 SHOCK PULSES EACH DIRECTION PER  
AXIS, TOTAL OF 18 PULSES

\* RESULT: NO EVIDENCE OF PHYSICAL DAMAGE

Tolerance (Except as noted)	 <b>Memory Protection Devices, Inc</b> 200 Broad Hollow Road, Farmingdale, New York 11735		
	decimal	Scale	Drawn By B.S.
±.1 (.004)			Approved By T.B.
Fractional	Title		
± .2 (.008)	BATTERY RETAINER		
Angular	Date	Drawing Number	
± 1°	10/21/16	BK-915	