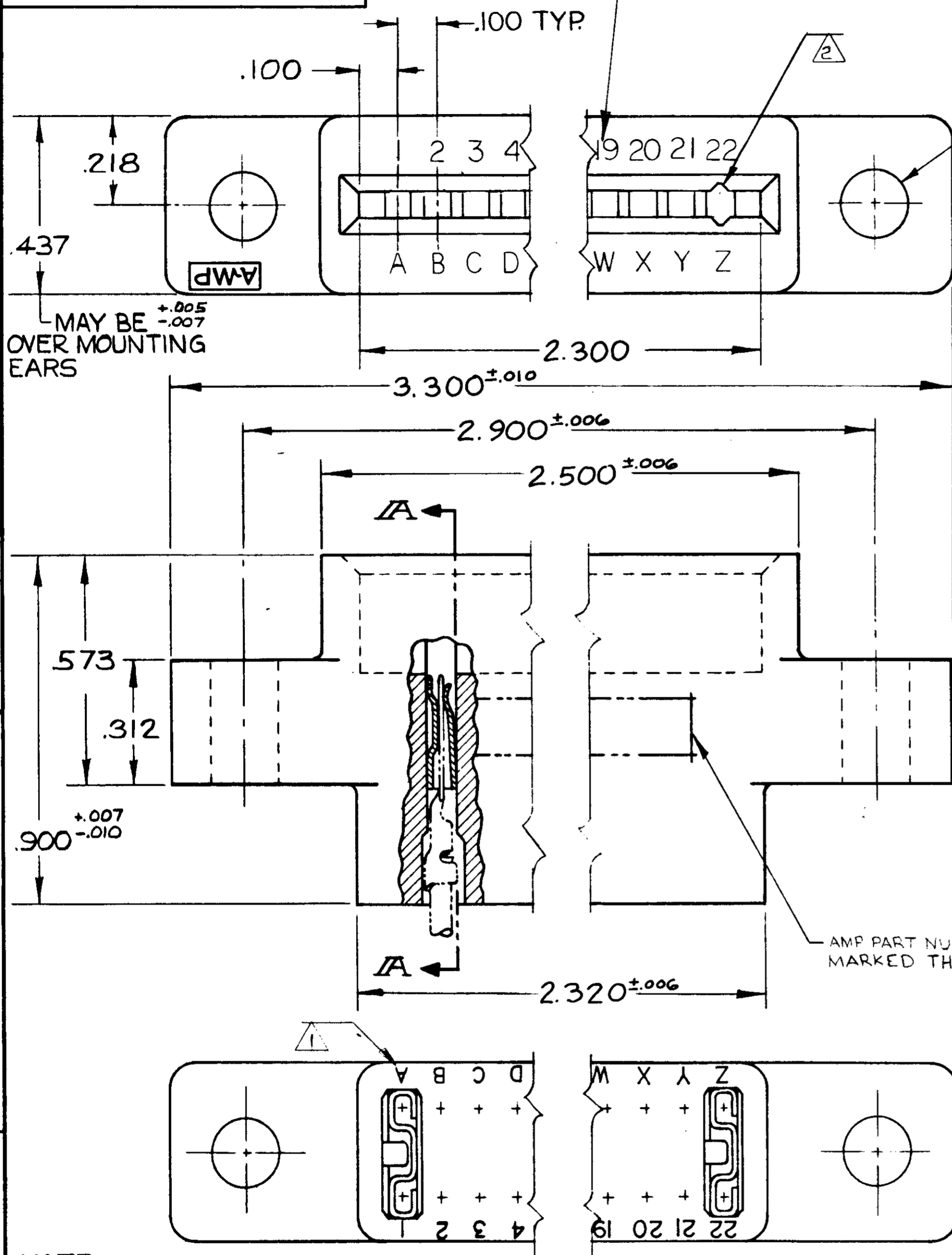


© 1963 BY AMP INCORPORATED. ALL RIGHTS RESERVED. AMP PRODUCTS COVERED BY PATENTS AND/OR PATENTS PENDING. APPROVED PER GOVT CONTRACT NO.

REVISIONS				
ZONE	LTR	DESCRIPTION	DATE	APPROVED
	R	REVISED PER 0600-3683-95 TA	10-75	J. WARNER
	S	ECO-08-020973	PY 11-08	JW

CAVITY IDENTIFICATION ON P/N'S (1)-582557-1 AND (1)-582557-2 ONLY.



582557-1 1. AS SHOWN. "J" DIA. HOLES = .156
 OBS. ~~582557-2~~ 1. SAME AS -1 EXCEPT.
 2. "J" DIA. HOLES = .128

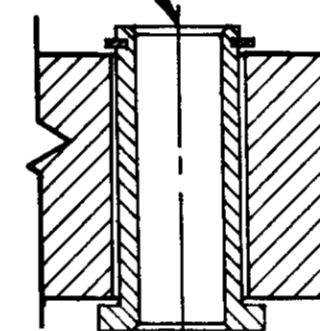
OBS. ~~582557-4~~ 1. SAME AS -1 EXCEPT:
 2. FLOATING BUSHINGS.

OBS. ~~582557-5~~ 1. SAME AS -4 EXCEPT:
 BUSHINGS REVERSED.

(1)-582557-1 1. SAME AS -1 EXCEPT TO HAVE CAVITY IDENT. ON TOP SURFACE OF HOUSING.

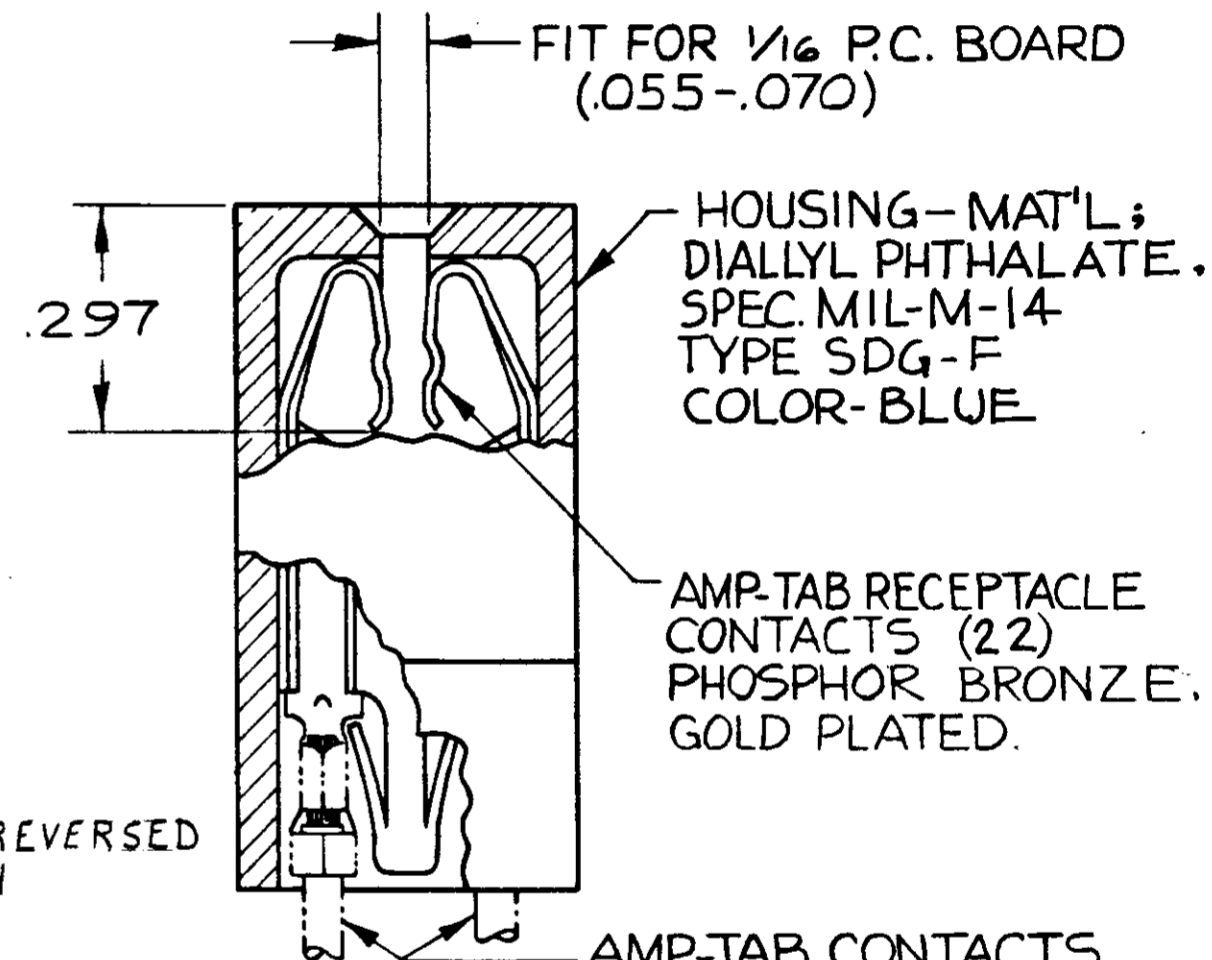
(1)-582557-2 1. SAME AS -2 EXCEPT TO HAVE CAVITY IDENT. ON TOP SURFACE OF HOUSING.

CLEARANCE FOR #4 SCREW



-4
 -5 BUSHING REVERSED AS SHOWN

FIT FOR 1/16 P.C. BOARD (.055-.070)



SECTION A-A

AMP PART NUMBER AND DATE CODE MARKED THIS AREA

NOTE:

1. UPPER CASE LETTERS. OMIT LETTERS G, I, O, & Q
 CIRCUIT CAVITY IDENTIFICATION MARKING PER MIL-C-21097.

2. GROOVES FOR "ON CONTACT KEYING" AMP'S OPTION DEPENDING ON METHOD OF MANUFACTURE. FOR "ON CONTACT" KEYING USE KEYING PLUG D/N 583487-1 (MUST BE ORDERED SEPARATELY.)

3. LASER MARKING ACCEPTABLE FOR ALL MARKING

AMP INFO	LOC	PRINT	BY
	1	F	FO

UNLESS OTHERWISE SPECIFIED DIMENSIONS ARE IN INCHES TOLERANCES ON		CONTRACT NO.		AMP INCORPORATED HARRISBURG, PENNSYLVANIA	
FRACTIONS ± #	DECIMALS ± .005	ANGLES ± #	DR J. Asch	DATE 6-7-67	 NAME 22 POSITION AMP-TAB CONNECTOR .100 CENTERS DUAL
MATERIAL SEE CALLOUT			CHK S.S. Heide	DATE 3/9/67	
HEAT TREAT #			APPD P. ...	DATE 2-1-7	
FINISH SEE CALLOUT			DSGN APPD C. ...	DATE 1/21/67	
SIZE C		CODE IDENT NO 00779	NUMBER 582557	REV S	SCALE 4-1

NUMBER 582557