

DAUGHTERCARD HOLE PATTERN (CONNECTOR SIDE)

- NOTES:
1. MATERIALS: HOUSING - LIQUID CRYSTAL POLYMER (LCP), GLASS-FILLED, UL94V-0
TERMINALS - HIGH PERFORMANCE COPPER ALLOY
 2. FINISH: 30µM MIN GOLD IN CONTACT AREA, SELECTIVE TIN
ON PCB TAILS, NICKEL OVERALL.
 3. REFER TO MOLEX PRODUCT SPEC PS-170540-999 FOR PERFORMANCE SPECIFICATIONS
AND ADDITIONAL PCB INFORMATION.
 4. EACH SIGNAL WAFER CONTAINS 2 COLUMNS OF TERMINALS.
 5. PRODUCT IS PACKAGED PER PK-70873-589.
 6. THIS PART CONFORMS TO CLASS B REQUIREMENTS OF COSMETIC SPEC PS-45499-002.
 7. REFER TO MOLEX SALES DRAWING SD-170535-0001 AND RSD-170532-XXXX FOR THE
MATING HEADERS.
 8. REFER TO MOLEX PCB ROUTING GUIDE AS-76060-990 FOR ANTIPAD AND ROUTING
RECOMMENDATIONS.
 9. GROUND PATHS ARE NOT DISCRETE CIRCUITS WITHIN CONNECTOR DUE TO
PRESENCE OF PLUS CLIP.
 10. PART NUMBER 170540-1020 SHOWN ON DRAWING. KEYING FEATURES WILL CHANGE
WITH COLUMN SIZE.
 11. MINIMUM BOARD THICKNESS IS 1.00MM FOR COMPLIANT PIN FUNCTIONALITY.
 12. MARKING: LOCATED APPROXIMATELY AS SHOWN. PART NUMBER AND DATE CODE.

ADD LASER MARK INFO EC NO: UCP2016-3973 DRWING:VARVARA 2015/07/29 CHKD:TELO 2016/02/22 APPR:TELO 2016/04/20	QUALITY SYMBOLS 	GENERAL TOLERANCES (UNLESS SPECIFIED)		DIMENSION STYLE MM ONLY		SCALE 3:1	DESIGN UNITS METRIC	THIRD ANGLE PROJECTION			
		4 PLACES ± --- ± ---	3 PLACES ± --- ± ---	DRAWN BY JLAURX	DATE 2010/09/29	TITLE IMPACT 6 PAIR PLUS 850HM DAUGHTERCARD SIGNAL UNGUIDED SALES DRAWING					
		2 PLACES ± 0.13 ± ---	1 PLACE ± 0.25 ± ---	CHECKED BY TELO	DATE 2010/10/01	APPROVED BY TELO					
		0 PLACE ± ±	ANGULAR ± 1/2°	MATERIAL NO. SEE CHART		DOCUMENT NO. SD-170540-0001		SHEET NO. 1 OF 2			
DRAFT WHERE APPLICABLE MUST REMAIN WITHIN DIMENSIONS		THIS DRAWING CONTAINS INFORMATION THAT IS PROPRIETARY TO MOLEX INCORPORATED AND SHOULD NOT BE USED WITHOUT WRITTEN PERMISSION									

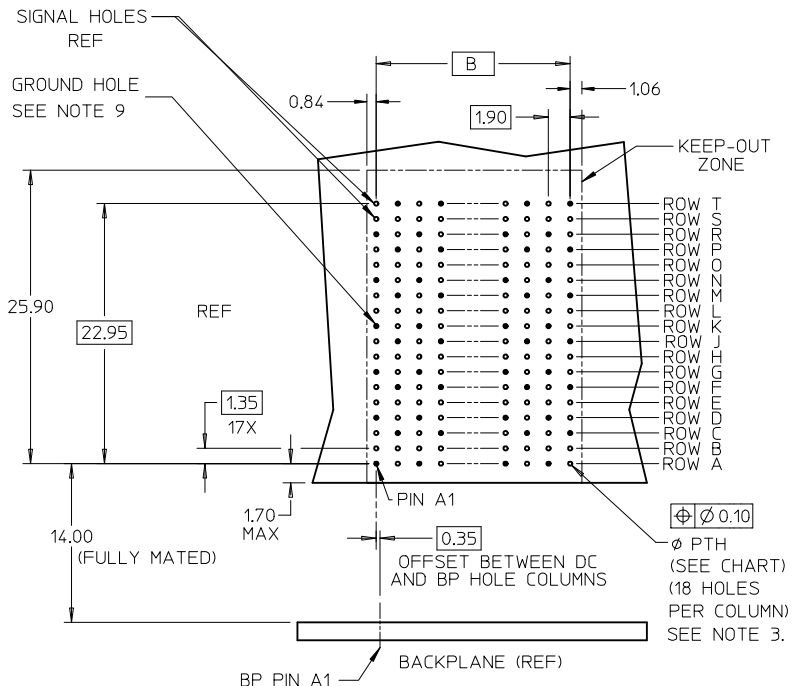
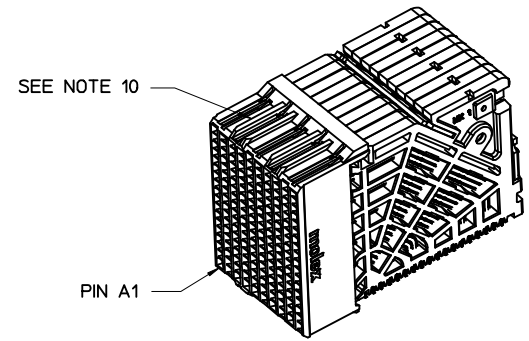
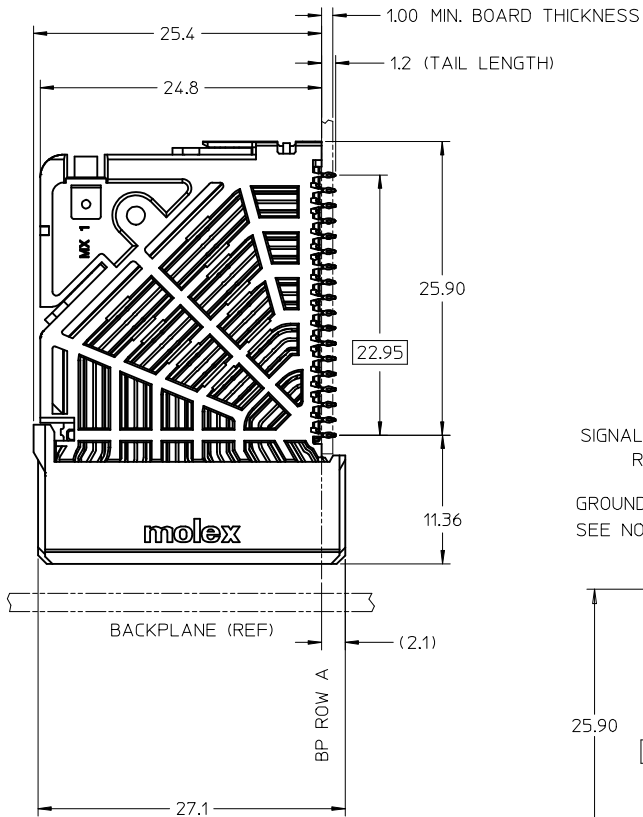
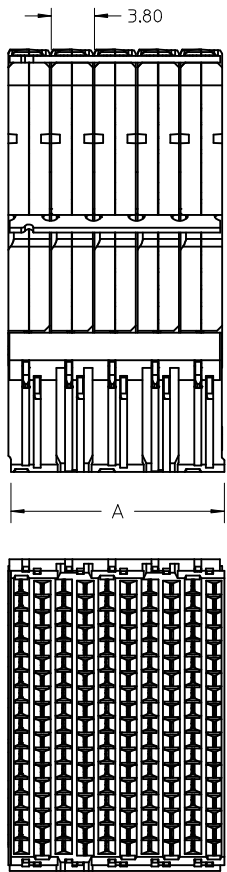
MATERIAL NUMBER	# OF COLUMNS	# OF DIFF PAIR	DIM "A" MAX	DIM "B"	PTH ϕ
170540-1008	8	48	15.20	13.30	0.46 ± 0.05
170540-1010	10	60	19.00	17.10	
170540-1016	16	96	30.40	28.50	
170540-1038	8	48	15.20	13.30	0.39 ± 0.05
170540-1020	10	60	19.00	17.10	
170540-1026	16	96	30.40	28.50	

170540-10**

MODULE & TAIL PLATING TYPE
1 = UNGUIDED, LEAD-FREE

OF COLUMNS
08 = 8 COL 0.46 PTH
10 = 10 COL 0.46 PTH
16 = 16 COL 0.46 PTH
20 = 10 COL 0.39 PTH
26 = 16 COL 0.39 PTH
38 = 08 COL 0.39 PTH

SEE SHEET 1 EC NO: UCP2016-3973 DRWING: VYARARA 2015/07/29 CHKD: TELO 2016/02/22 APPR: TELO 2016/04/20	QUALITY SYMBOLS	GENERAL TOLERANCES (UNLESS SPECIFIED)	DIMENSION STYLE	SCALE	DESIGN UNITS	THIRD ANGLE PROJECTION	
	▽=0 ▽=0 ▽=0	mm	INCH	MM ONLY	3:1	METRIC	TITLE IMPACT 6 PAIR PLUS 850HM DAUGHTERCARD SIGNAL UNGUIDED SALES DRAWING molex DOCUMENT NO. SD-170540-0001 SHEET NO. 2 OF 2
		4 PLACES	± ---	± ---	DRAWN BY	DATE	
		3 PLACES	± ---	± ---	CHECKED BY	DATE	
	2 PLACES	± 0.13	± ---	TELO	2010/10/01		
	1 PLACE	± 0.25	± ---	APPROVED BY	DATE		
	0 PLACE	±	±	TELO	2012/08/23		
	ANGULAR $\pm 1/2^\circ$		MATERIAL NO.		SEE CHART		
	DRAFT WHERE APPLICABLE MUST REMAIN WITHIN DIMENSIONS		SIZE	THIS DRAWING CONTAINS INFORMATION THAT IS PROPRIETARY TO MOLEX INCORPORATED AND SHOULD NOT BE USED WITHOUT WRITTEN PERMISSION			



DAUGHTERCARD HOLE PATTERN (CONNECTOR SIDE)

- NOTES:
1. MATERIALS: HOUSING - LIQUID CRYSTAL POLYMER (LCP), GLASS-FILLED, UL94V-0
TERMINALS - HIGH PERFORMANCE COPPER ALLOY
 2. FINISH: 10μN MIN GOLD IN CONTACT AREA, SELECTIVE TIN
ON PCB TAILS, NICKEL OVERALL.
 3. REFER TO MOLEX PRODUCT SPEC PS-170540-999 FOR PERFORMANCE SPECIFICATIONS
AND ADDITIONAL PCB INFORMATION.
 4. EACH SIGNAL WAFER CONTAINS 2 COLUMNS OF TERMINALS.
 5. PRODUCT IS PACKAGED PER PK-70873-589.
 6. THIS PART CONFORMS TO CLASS B REQUIREMENTS OF COSMETIC SPEC PS-45499-002.
 7. REFER TO MOLEX SALES DRAWING SD-170535-0001 AND RSD-170532-XXXX FOR THE
MATING HEADERS.
 8. REFER TO MOLEX PCB ROUTING GUIDE AS-76060-990 FOR ANTIPAD AND ROUTING
RECOMMENDATIONS.
 9. GROUND PATHS ARE NOT DISCRETE CIRCUITS WITHIN CONNECTOR DUE TO
PRESENCE OF PLUS CLIP.
 10. PART NUMBER 170540-1020 SHOWN ON DRAWING. KEYING FEATURES WILL CHANGE
WITH COLUMN SIZE.
 11. MINIMUM BOARD THICKNESS IS 1.00MM FOR COMPLIANT PIN FUNCTIONALITY.

INITIAL CREATION MAPS PLATING EC NO: UCP2015-3240 DRW:MKRAUSE 2015/02/09 CHKD: TELO APPR:TELO 2015/03/02	QUALITY SYMBOLS	GENERAL TOLERANCES (UNLESS SPECIFIED)	DIMENSION STYLE MM ONLY	SCALE 3:1	DESIGN UNITS METRIC	THIRD ANGLE PROJECTION
	▽=0	mm INCH	DRAWN BY DATE MKRAUSE 2015/02/09	TITLE IMPACT 6 PAIR PLUS 850HM DAUGHTERCARD SIGNAL	molex UNGUIDED SALES DWG MAPS	SHEET NO. 1 OF 2
	▽=0.13	4 PLACES ± --- ± ---	CHECKED BY DATE	APPROVED BY DATE TELO 2015/03/02		
	▽=0.25	3 PLACES ± --- ± ---	APPROVED BY DATE	MATERIAL NO.	DOCUMENT NO.	
▽=0	2 PLACES ± 0.13 ± ---	DRAFT WHERE APPLICABLE MUST REMAIN WITHIN DIMENSIONS	SIZE C	SD-173120-0001		
	1 PLACE ± 0.25 ± ---		THIS DRAWING CONTAINS INFORMATION THAT IS PROPRIETARY TO MOLEX INCORPORATED AND SHOULD NOT BE USED WITHOUT WRITTEN PERMISSION			
	0 PLACE ± ±					

MATERIAL NUMBER	# OF COLUMNS	# OF DIFF PAIR	DIM "A" MAX	DIM "B"	PTH ϕ
173120-1008	8	48	15.20	13.30	0.46 ± 0.05
173120-1010	10	60	19.00	17.10	
173120-1016	16	96	30.40	28.50	
173120-1038	8	48	15.20	13.30	0.39 ± 0.05
173120-1020	10	60	19.00	17.10	
173120-1026	16	96	30.40	28.50	

173120-10**

MODULE & TAIL PLATING TYPE
1 = UNGUIDED, LEAD-FREE

OF COLUMNS
08 = 8 COL 0.46 PTH
10 = 10 COL 0.46 PTH
16 = 16 COL 0.46 PTH
20 = 10 COL 0.39 PTH
26 = 16 COL 0.39 PTH
38 = 08 COL 0.39 PTH

SEE SHEET 1 EC NO: UCP2015-3240 DRW: MKRAUSE 2015/02/09 CHKD: TELO APPR: TELO 2015/03/02	DESCRIPTION REV: A	QUALITY SYMBOLS	GENERAL TOLERANCES (UNLESS SPECIFIED)	DIMENSION STYLE MM ONLY	SCALE 3:1	DESIGN UNITS METRIC	THIRD ANGLE PROJECTION
		$\nabla = 0$	mm INCH	DRAWN BY DATE MKRAUSE 2015/02/09	TITLE IMPACT 6 PAIR PLUS 850HM DAUGHTERCARD SIGNAL UNGUIDED SALES DWG MAPS		
		$\nabla = 0$	4 PLACES \pm --- \pm ---	CHECKED BY DATE	APPROVED BY DATE TELO 2015/03/02	molex	
		$\nabla = 0$	3 PLACES \pm --- \pm ---	MATERIAL NO. DOCUMENT NO.	SEE CHART SD-173120-0001	SHEET NO. 2 OF 2	
			2 PLACES ± 0.13 \pm ---	DRAFT WHERE APPLICABLE MUST REMAIN WITHIN DIMENSIONS		THIS DRAWING CONTAINS INFORMATION THAT IS PROPRIETARY TO MOLEX INCORPORATED AND SHOULD NOT BE USED WITHOUT WRITTEN PERMISSION	
			1 PLACE ± 0.25 \pm ---				
			0 PLACE \pm \pm				
			ANGULAR $\pm 1/2^\circ$				