



Comair Rotron Specification Sheet

Specification Date: Oct 13, 2016

COMAIR ROTRON PART NUMBER: 17000540A
COMAIR ROTRON MODEL NUMBER: CR8025EC-4500

A.) MOTOR:

RATED VOLTAGE: 100~240VAC \pm 10%

OPERATING VOLTAGE RANGE: 90~264VAC

LOW-START VOLTAGE: 80VAC

MAX. RUNNING CURRENT: 0.48 Amps

OPERATING FREQUENCY: 50~60Hz

INPUT POWER: 5 Watts

NOMINAL SPEED: 4,500 RPM \pm 5%
(At Free Delivery)

MOTOR TYPE: Brushless EC

MOTOR PROTECTION: By Integrated Circuit

LOCKED ROTORT PROTECTION: IC protected

POLARITY PROTECTION: Yes

AUTOMATIC RESTART CAPABILITY: By Integrated Circuit

ROTATION: Counter Clockwise when viewed from the
impeller

B.) MECHANICAL

DIMENSIONS: 80mm x80mm x 25mm
(3.15" x 3.15" x 0.984") *Figure 1*

WEIGHT: 175g (0.386 Lbs.)

BEARING TYPE: Permanently Lubricated Ball Bearings

VENTURI: Die Cast magnesium alloy,
ED coating and powder coating

PROPELLER: P.B.T+30% GF(Glass fiber) UL 94V-0



Comair Rotron Specification Sheet

Specification Date: Oct 13, 2016

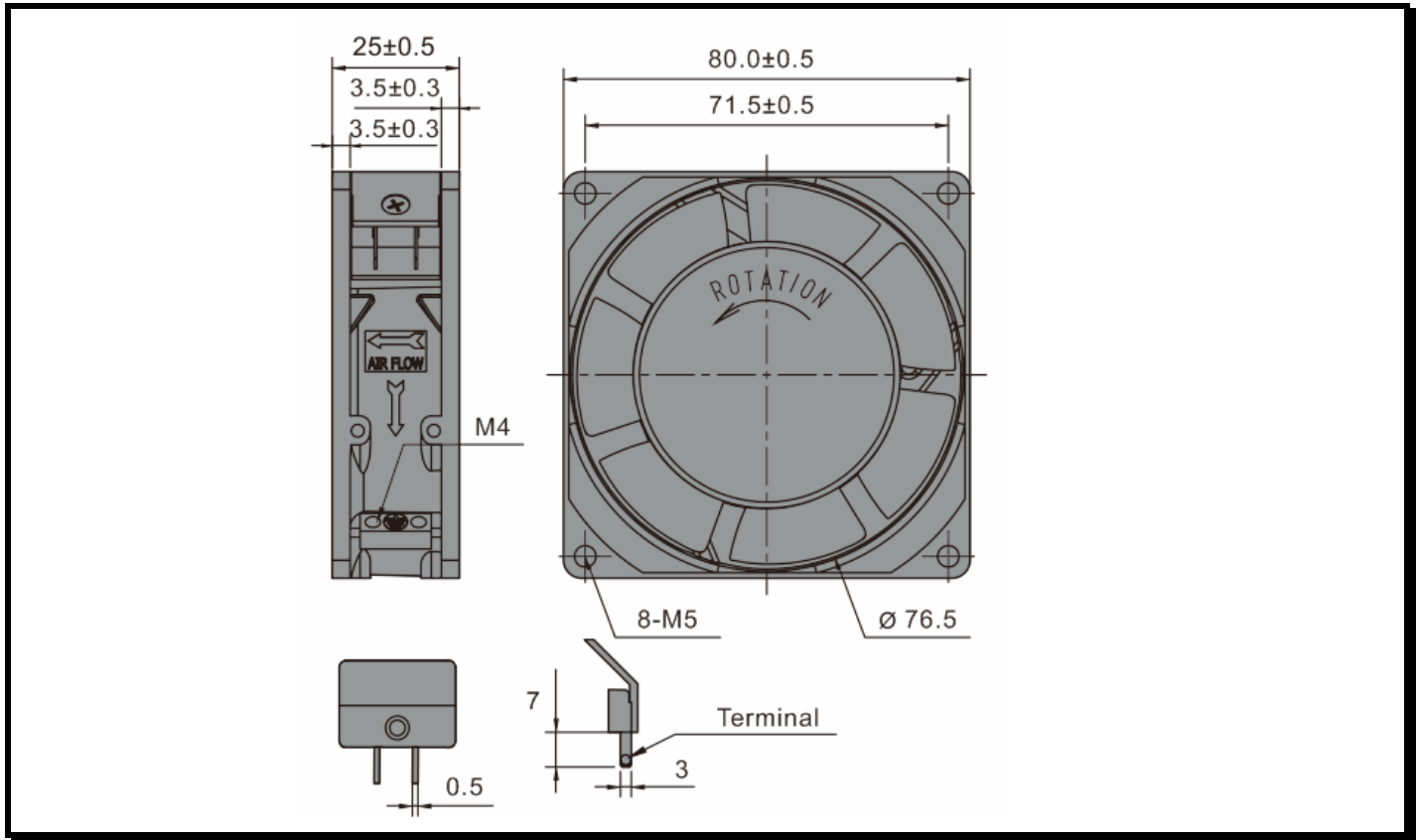


Figure 1

C.) ENVIRONMENTAL

OPERATING TEMPERATURE:	-20°C to +70°C
STORAGE TEMPERATURE:	The storage temperature will be suggested at -20°C ~ 50°C to ensure a better performance.
HUMIDITY:	20 to 85% RH, non-condensing
ENVIROMENTAL SHIELD:	IP44

D.) PERFORMANCE CHARACTERISTICS

AIR FLOW:	53 CFM ± 5% (At Free Delivery and MAX. speed)
STATIC PRESSURE:	0.25" Inches of H2O (At Shut-Off and MAX. speed)



Comair Rotron Specification Sheet

Specification Date: Oct 13, 2016

ACOUSTIC LEVEL:

45 dBA Max. at MAX. speed
(Measured via Freely Suspended at 1 meter)

E.) TERMINATION

Joint terminal:

suit with 22AWG 1007# Wire
PV1.25-3A-0.5 terminal

F.) RELIABILITY

Bearing type	Temperature	Hours
Ball bearing	20°C	60,000
	40°C	50,000
	60°C	40,000
	90°C	20,000

G.) SAFETY



K.) FLAMMABILITY

The fan including all components meets a UL94V-0 rating or better.