

1 2 3 4 5 6

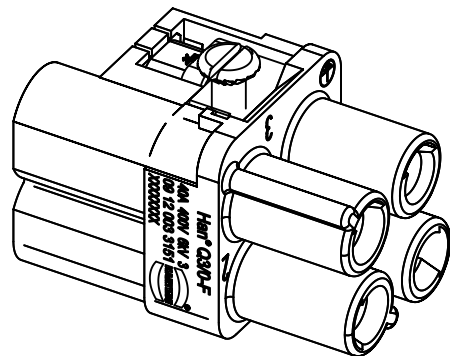
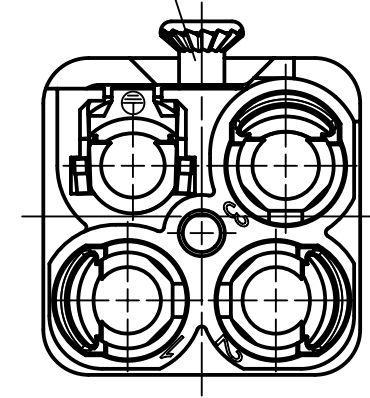
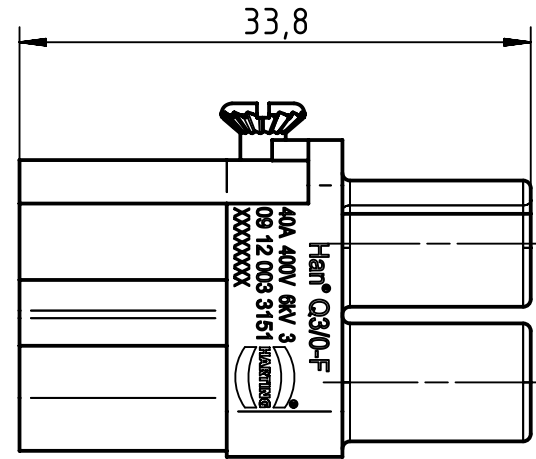
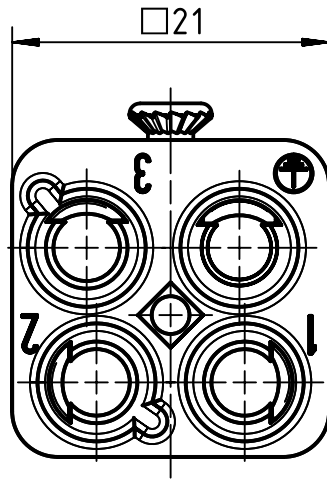
A

B

C

D

Insert fixing screw
separately enclosed



stripping length 10 mm² (AWG 8) = 12 mm

	All Dimensions in mm Original Size DIN A4		Scale 2:1	Free size tol.		Ref.
			Created by HOLLERT	Inspected by SCHNIEDER	Standardisation TIEMANNA	Date 2014-10-27
All rights reserved Department EL PD - DE		Title Han Q3/0 -F- Crimp			State Final Release	
HARTING Electric GmbH & Co. KG D-32339 Espelkamp		Type TB			Number 09 12 003 3151	
						Doc-Key / ECM-Nr. 100221449/UGD/002/D 500000081124
						Rev. D
						Page 1/1