

DETAILS

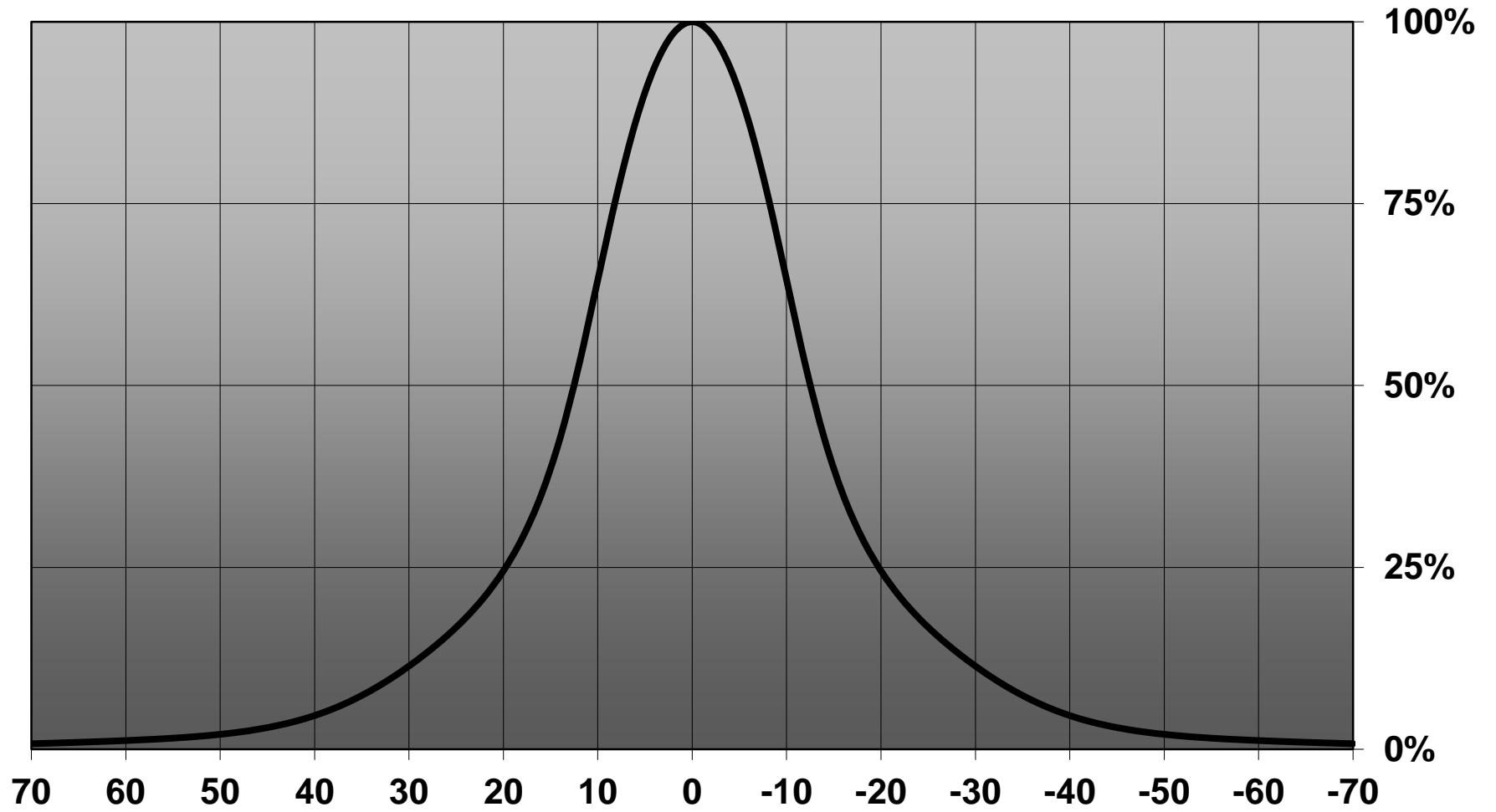
Product Number	CA12878_MIRA-M
Family	Mira
Type	Assembly
Color	white
Diameter	35 mm
Height	15,75 mm
Style	round
Optic Material	PC
Holder Material	
Fastening	tape
Status	production ready
ROHS Compliant	Yes
Date Updated	30/12/2016

OPTICAL PROPERTIES

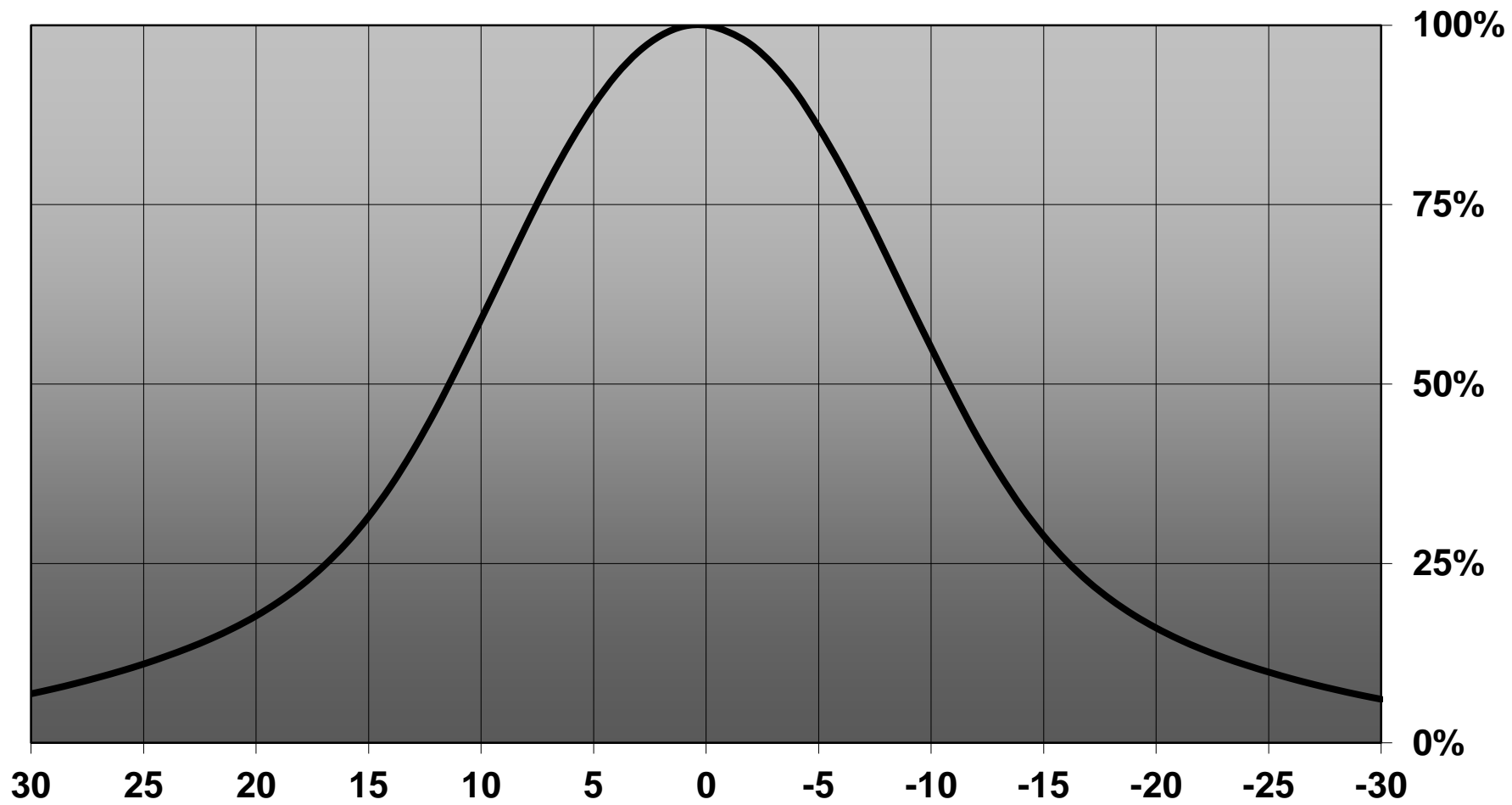
LED	Viewing	Light	Effi-		Connector
	Angle	Beam	ciency	cd/lm	
XHP70	27 deg	Medium	83 %	2.200	-
MK-R	25 deg	Medium	82 %	2.400	-
MHD-E/G	28 deg	Medium	85 %	2.100	-
LUXEON M/MX	25 deg	Medium	81 %	2.100	-
Duris S10	22 deg	Medium	83 %	3.600	-
Duris P10	sim: 20	Medium	sim: 86 %	sim: 4.900	-



Relative intensity of CA12878_MIRA-M_(Luxeon-M)



Relative intensity of CA12878_MIRA-M_(Duris_S10)



D

C

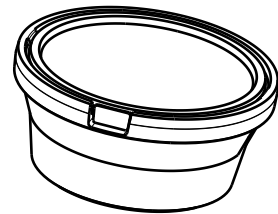
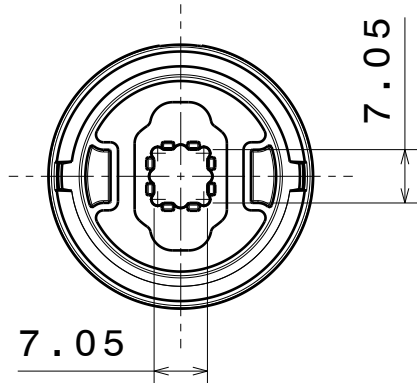
B

A

4

4

Bottom view

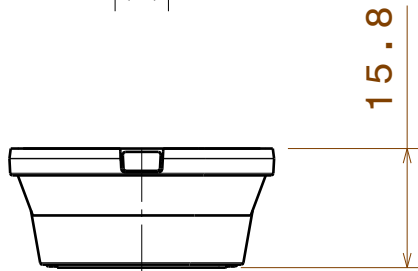


Isometric view

3

3

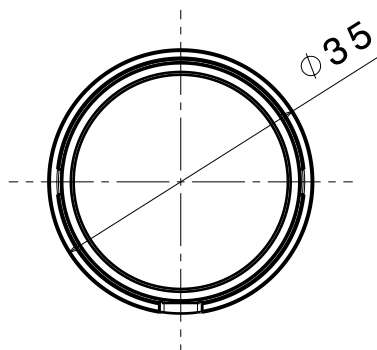
Front view



2

2

Top view



INDEX	PART NO	DESCRIPTION	MATERIAL	COLOUR
1	-	MIRA_LUXEON-M_ASSEMBLY	Lens and holder PC, Tape PU foam	

Tolerances if not otherwise shown
 According to DIN ISO 2768-1
 Linear measures:
 Up to 30mm class M, otherwise class C.
 According to DIN ISO 2768-2
 Form and position: class L

LEDiL LediL Oy
 Salorankatu 10
 FIN 24240 SALO
 Finland

THIRD ANGLE PROJECTION:

DRAWING TITLE
MIRA_LUXEON-M_ASSEMBLY

This drawing is the property of LEDiL Oy. It may not be reproduced, copied or communicated without a written agreement with LEDiL Oy."

SIZE PART NUMBER
A4 -

SCALE 1:1 WEIGHT - SHEET 1/1

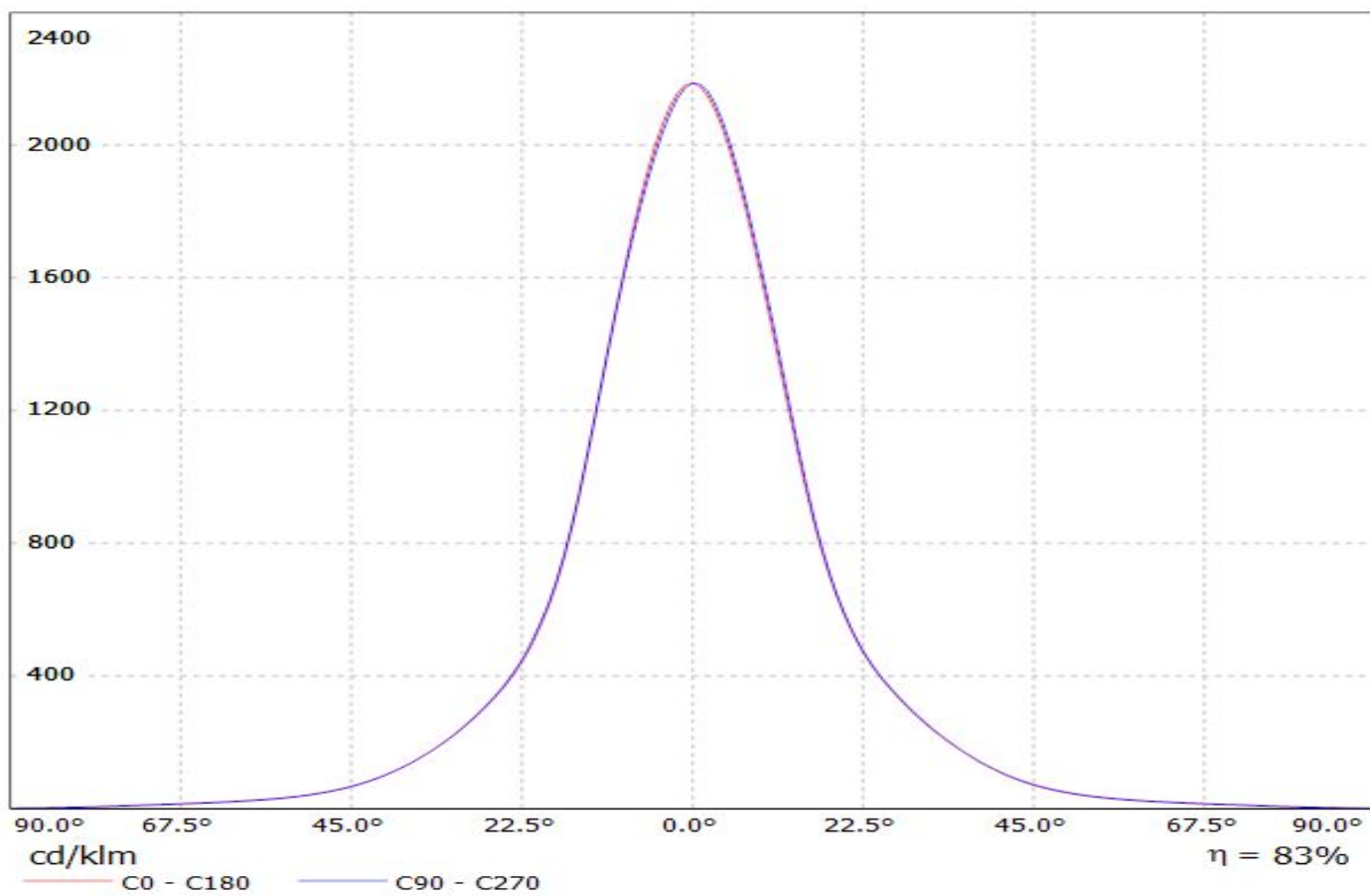
D

A

1

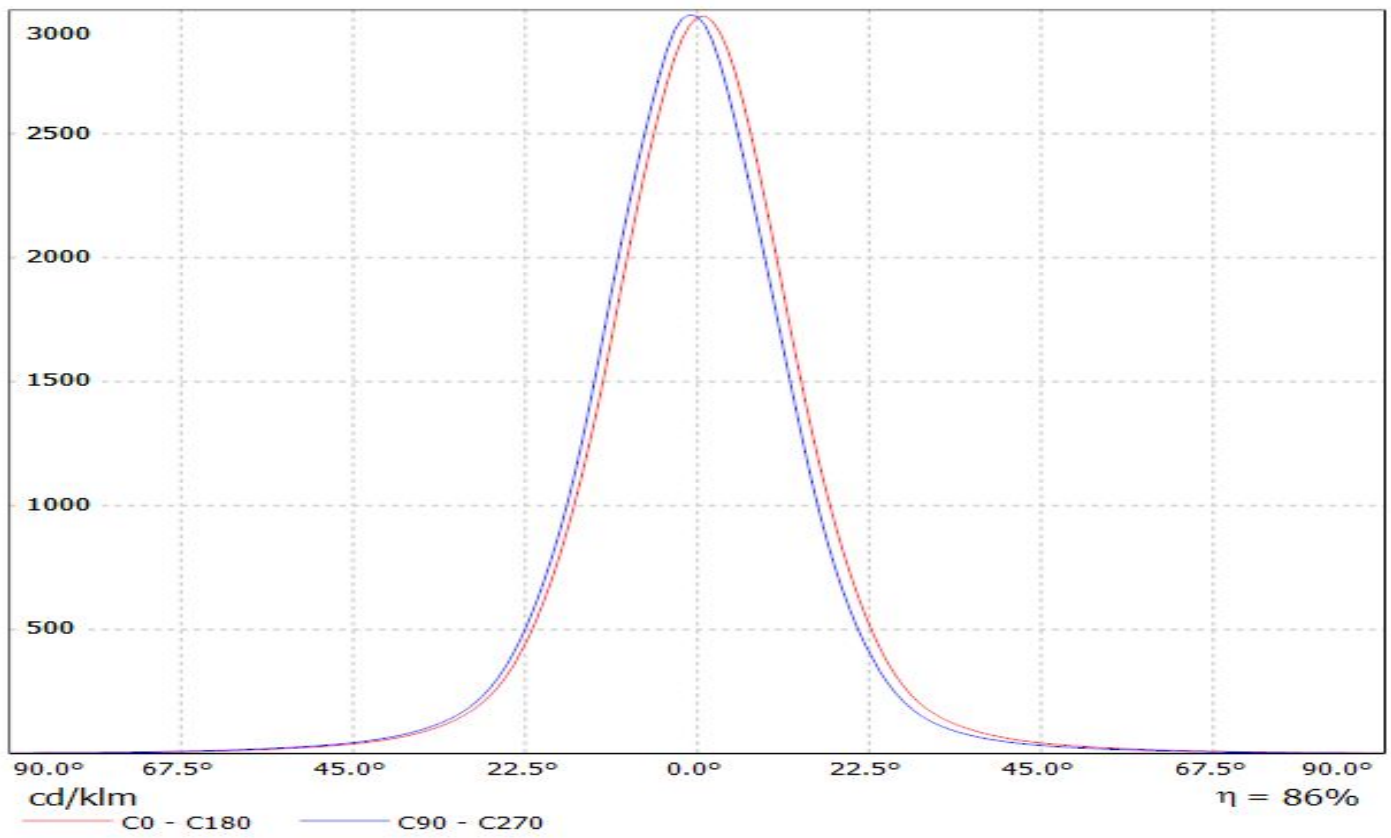
Luminaire: LEDiL Oy CA12878_MIRA-M_(XHP70)

Lamps: 1 x Cree_XHP70_261.415lm@250mA_P=1.38207W_I=249.9mA



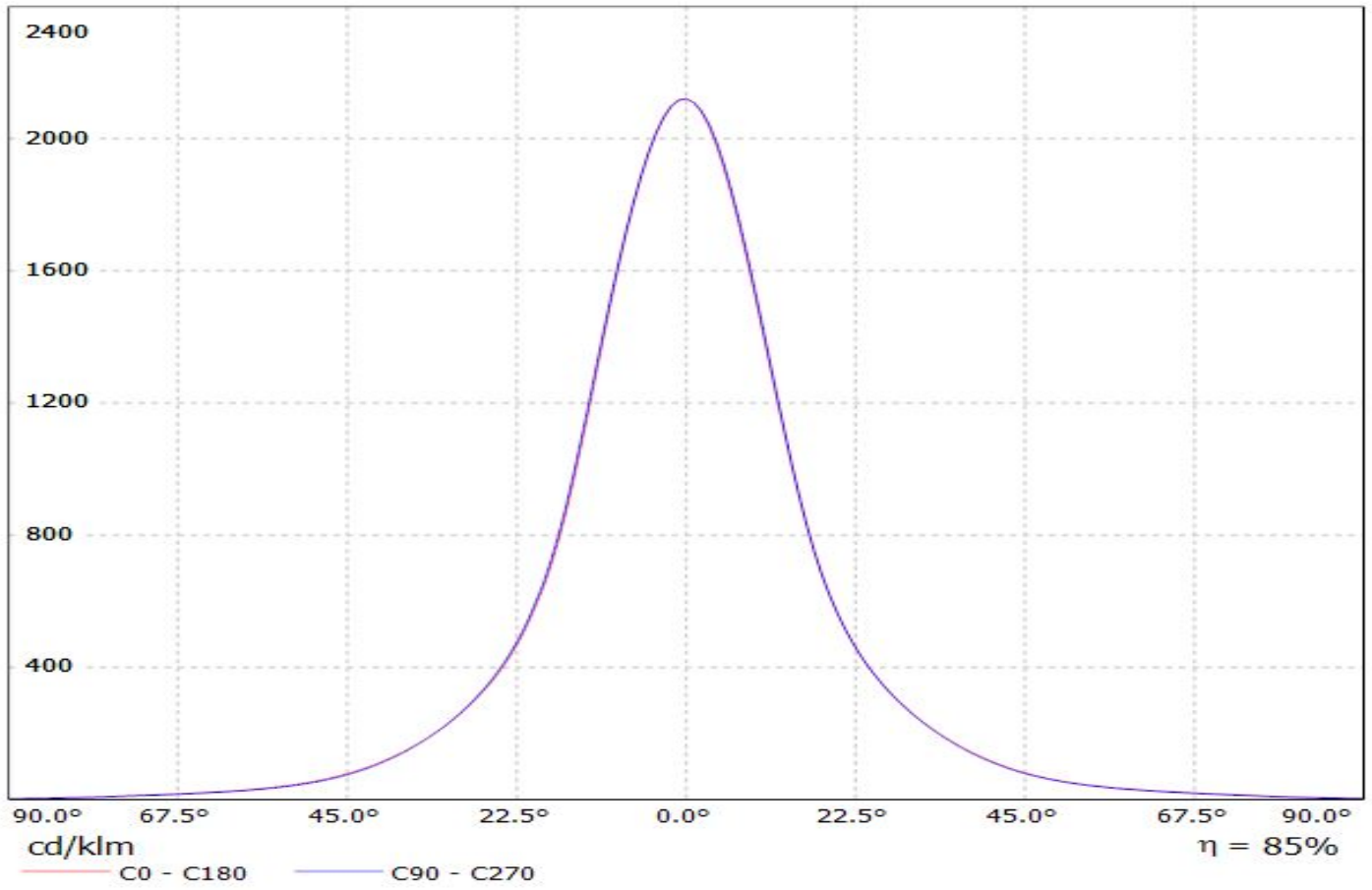
LEDiL Oy CA12803_EVA-M_(MKR) Eff. 85,8% / LDC (Linear)

Luminaire: LEDiL Oy CA12803_EVA-M_(MKR) Eff. 85,8%
Lamps: 1 x Cree MKR (365lm@250mA)



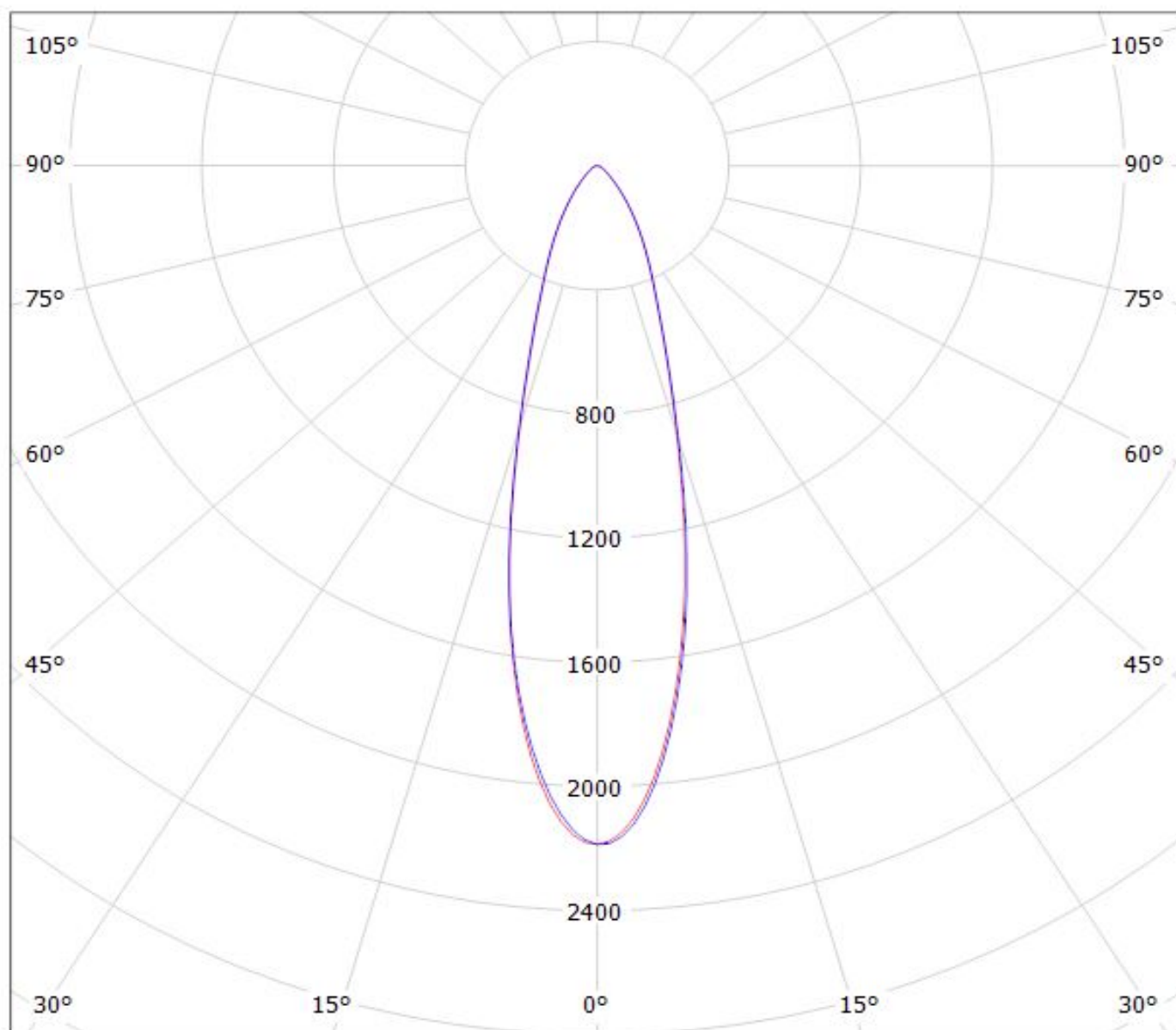
Luminaire: Ledil CA12878_MIRA-M_(MHD-G)

Lamps: 1 x Cree MHD-G_530.44lm@100mA_P=3.0W_I=0.100A



Luminaire: LEDiL Oy CA12878_MIRA-M_(XHP70)

Lamps: 1 x Cree_XHP70_261.415lm@250mA_P=1.38207W_I=249.9mA



cd/klm

— C0 - C180

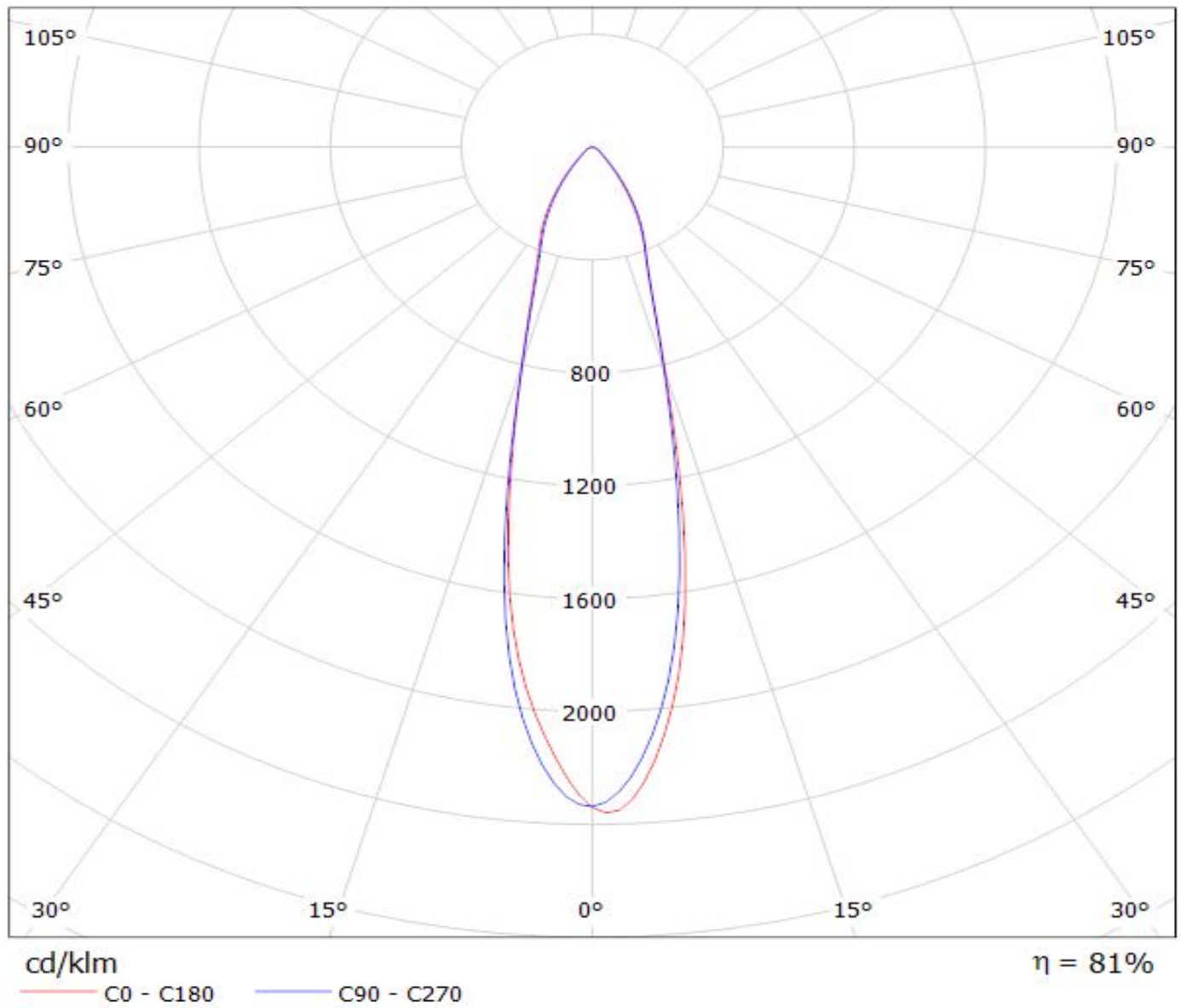
— C90 - C270

$\eta = 83\%$

LEDiL Oy CA12878_MIRA-M_(MKR) Eff. 81,4% / LDC (Polar)

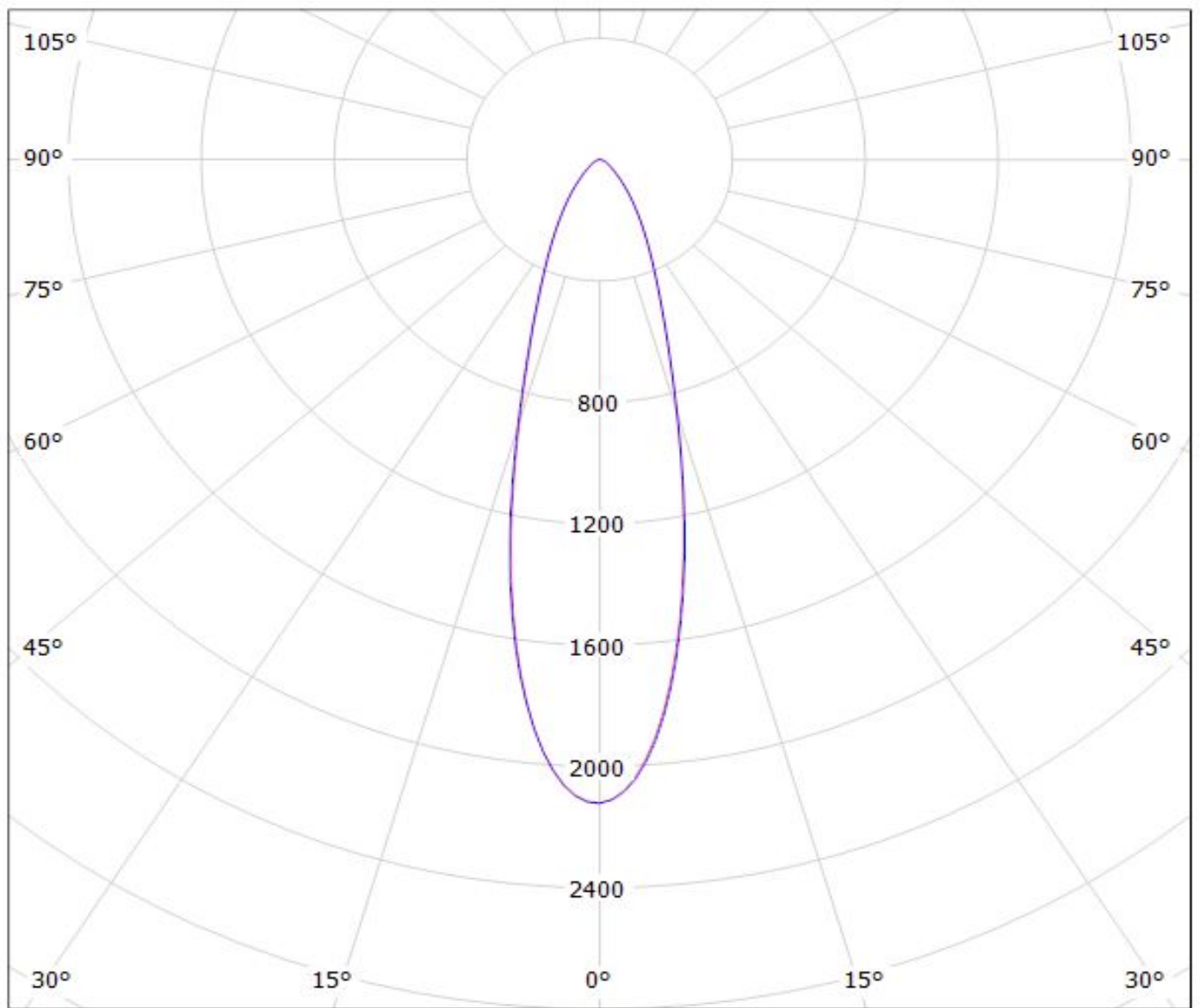
Luminaire: LEDiL Oy CA12878_MIRA-M_(MKR) Eff. 81,4%

Lamps: 1 x MKR (365lm@250mA)



Luminaire: Ledil CA12878_MIRA-M_(MHD-G)

Lamps: 1 x Cree MHD-G_530.44lm@100mA_P=3.0W_I=0.100A



cd/klm

$\eta = 85\%$

— C0 - C180

— C90 - C270

NOTE: The typical divergence will be changed by different color, chip size and chip position tolerance. The typical total divergence is the full angle measured where the luminous intensity is half of the peak value.