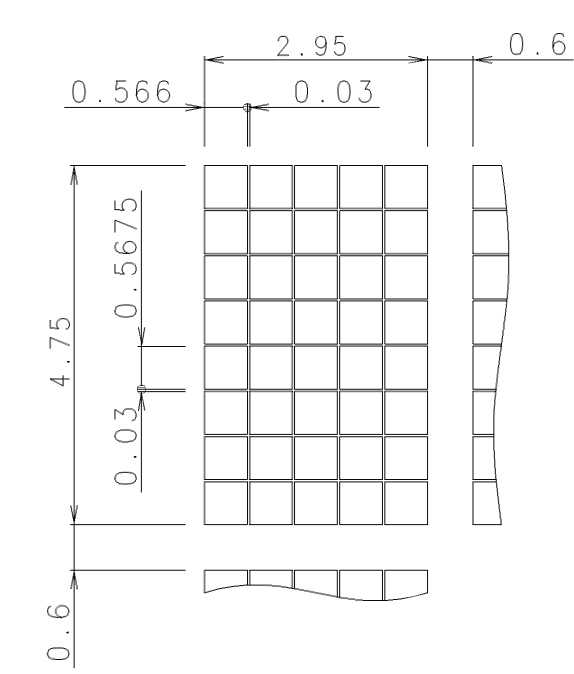
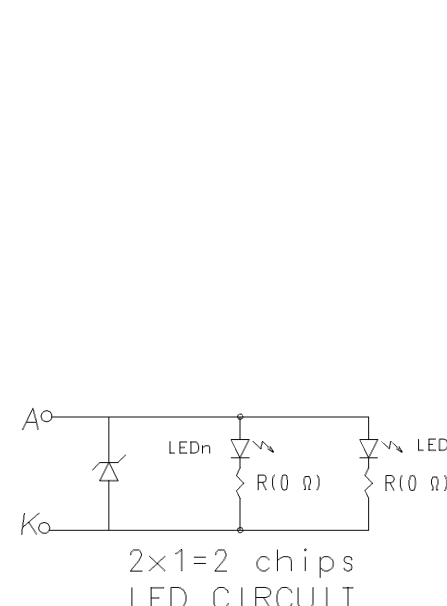
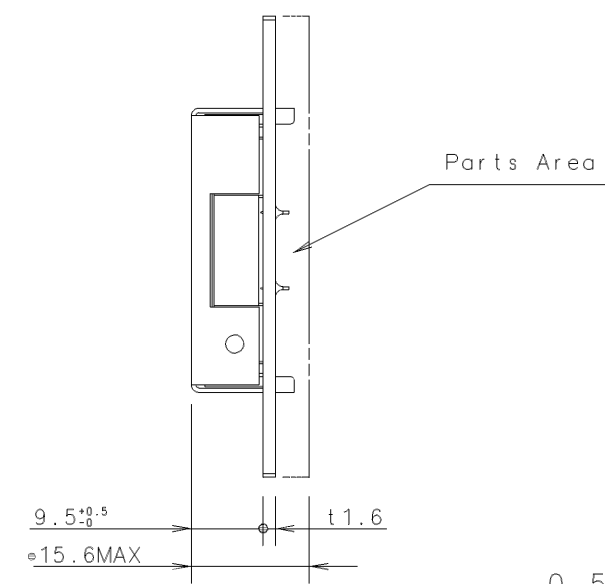
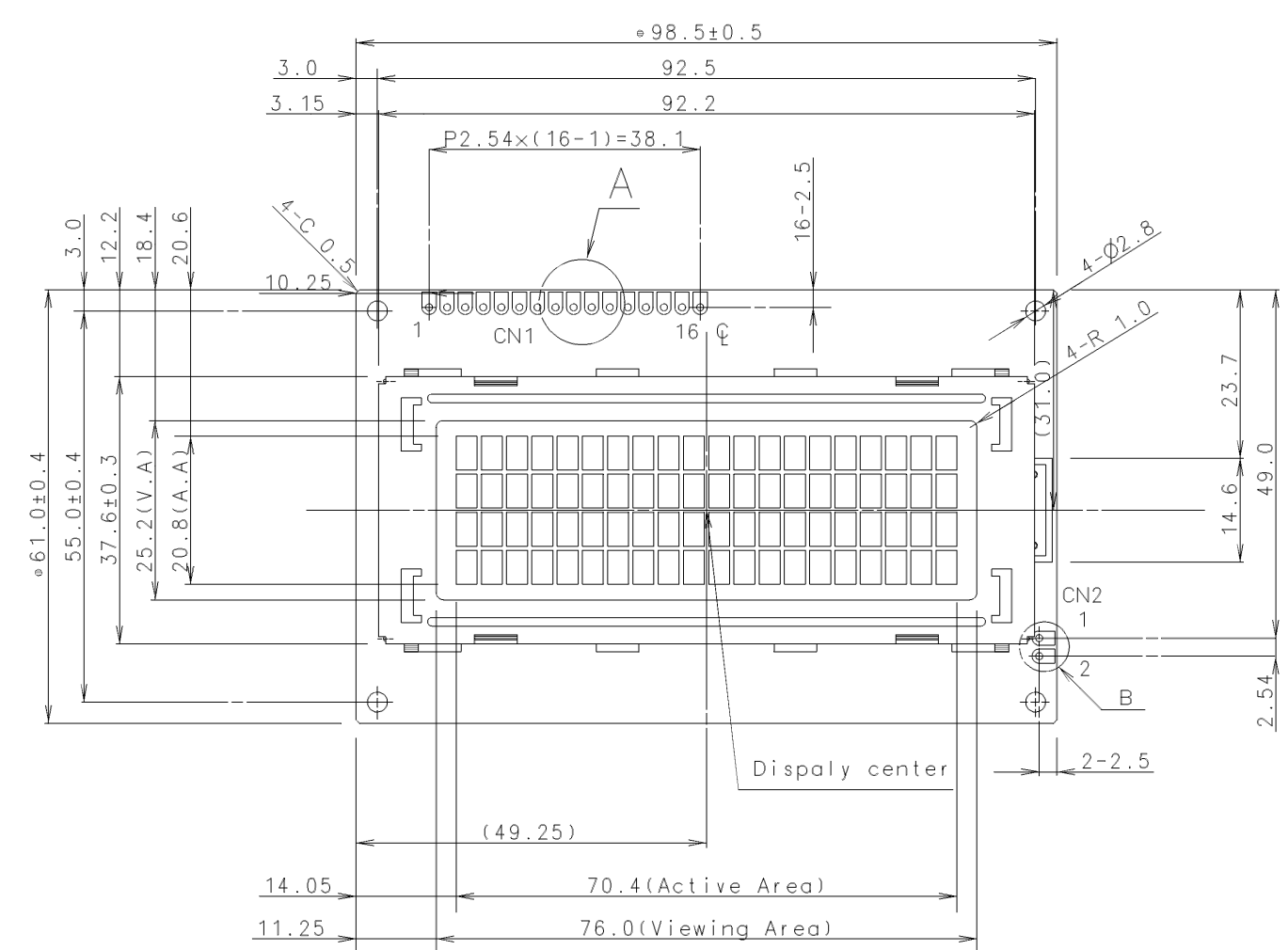
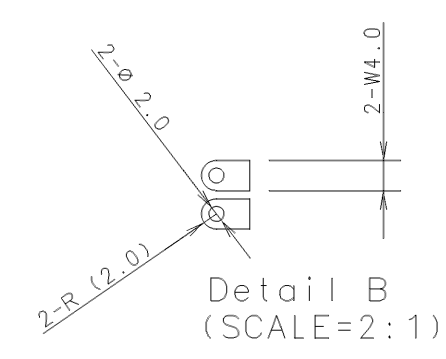
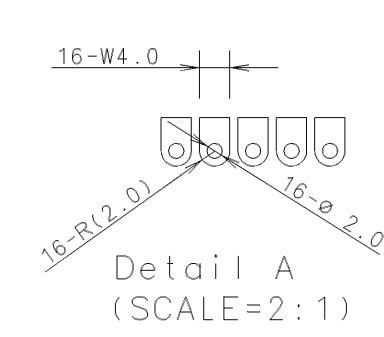


ISSUE	REVISIONS	DRAWN	APPROVED	DATE



No.	SYMBOL
1	VSS
2	VCC
3	VEE
4	RS
5	R/W
6	E
7	DB0
8	DB1
9	DB2
10	DB3
11	DB4
12	DB5
13	DB6
14	DB7
15	LED: ANODE
16	LED: CATHODE

1	LED: CATHODE
2	LED: ANODE



- Notes:
- Do not use materials which are prohibited by ROHS.
 - The dimensions with the mark (•) are controlled as a particular characteristic.

TOLERANCE			THIRD ANGLE PROJECTION	DATE Feb.25'05	OPTREX CORPORATION
MEASURE	A	B			
L ≤ 16	±0.1	±0.3	±1	UNIT mm	APPROVED M.MOTOHASHI
16 < L ≤ 63	±0.2	±0.5	±1.5	SCALE 1:1	TITLE DIMENSIONAL OUTLINE
63 < L ≤ 250	±0.3	±0.8	±2		CHECKED T.SUZUKI
250 < L ≤ 500	±0.5	±1.2	±3	DRAWN X.Hawk	CODE C-51847AA base
500 < L	±0.8	±2	±4		DWG NO UE-312334
ANGLE	±1°	±5°	±10°		