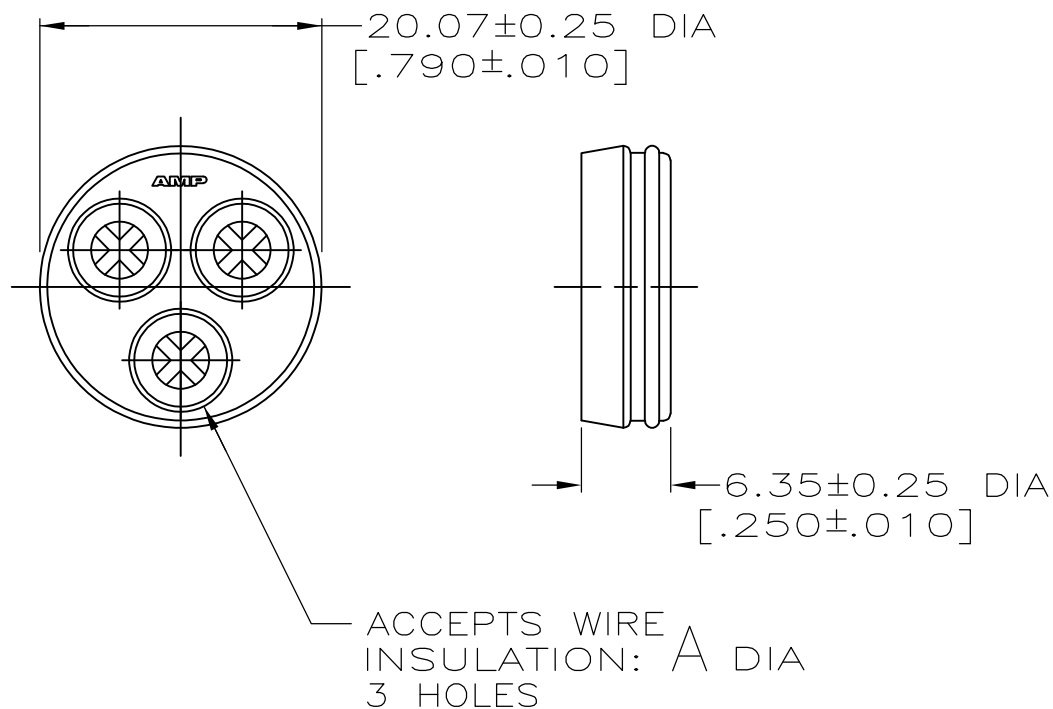
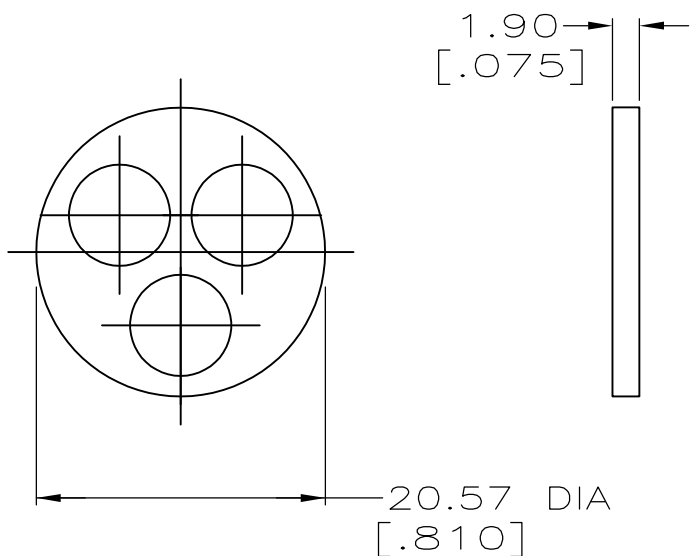


P	LTR	DESCRIPTION	DATE	DWN	APVD
0		RLSE -1 THRU -4 PER NPR 5375, WAS 95-7970-27	07/12/95	-	-
A		OBSOLETE -3,-4 AND REVISED PER EC 0020-900-95	15 SEP 95	DH	AF
B		REV PER EC 0320-144-97	05 MAY 97	CO	AF
C		ADDED -5 PER EC 0320-152-97	08 MAY 97	CO	AF
C1		REVISED PER ECO-09-020689	27AUG09	KK	AEG



SEAL MATERIAL: SILICON, RED IRON OXIDE  
QTY=1



PRESSURE PLATE MATERIAL: NYLON, BLACK  
QTY=1

1 OBSOLETE PARTS: OBSOLETE CIS STREAMLINING PER D.RENAUD/D.SINISI

1 OBSOLETE	INDIVIDUAL	2.41-5.21 [.095-.205]	213899-5
OBSOLETE	-	-	213899-4
OBSOLETE	-	-	213899-3
	BULK	3.81-6.73 [.150-.265]	213899-2
	INDIVIDUAL	3.81-6.73 [.150-.265]	213899-1
	PACKAGING	A	PART NUMBER

THIS DRAWING IS A CONTROLLED DOCUMENT FOR AMP INCORPORATED. IT IS SUBJECT TO CHANGE AND THE CONTROLLING ENGINEERING ORGANIZATION SHOULD BE CONTACTED FOR THE LATEST REVISION.		DWN D.HARDY 07/12/95	<b>AMP</b> AMP Incorporated Harrisburg, PA 17105-3608
DIMENSIONS: mm [INCHES]		CHK R.STONE 07/13/95	
TOLERANCES UNLESS OTHERWISE SPECIFIED: 0 PLC ±- 1 PLC ±- 2 PLC ±0.13 [.005] 3 PLC ±- 4 PLC ±- ANGLES ±- ±-		APVD A.FRANTUM 07/13/95	NAME
MATERIAL SEE CALLOUTS		PRODUCT SPEC 108-1579	SEAL ASSEMBLY KIT, SERIES 5, 17-3, CPC
		APPLICATION SPEC -	SIZE A3
		WEIGHT -	CAGE CODE 00779
		CUSTOMER DRAWING	DRAWING NO C-213899
			SCALE 2:1
			SHEET 1 OF 1
			REV C1