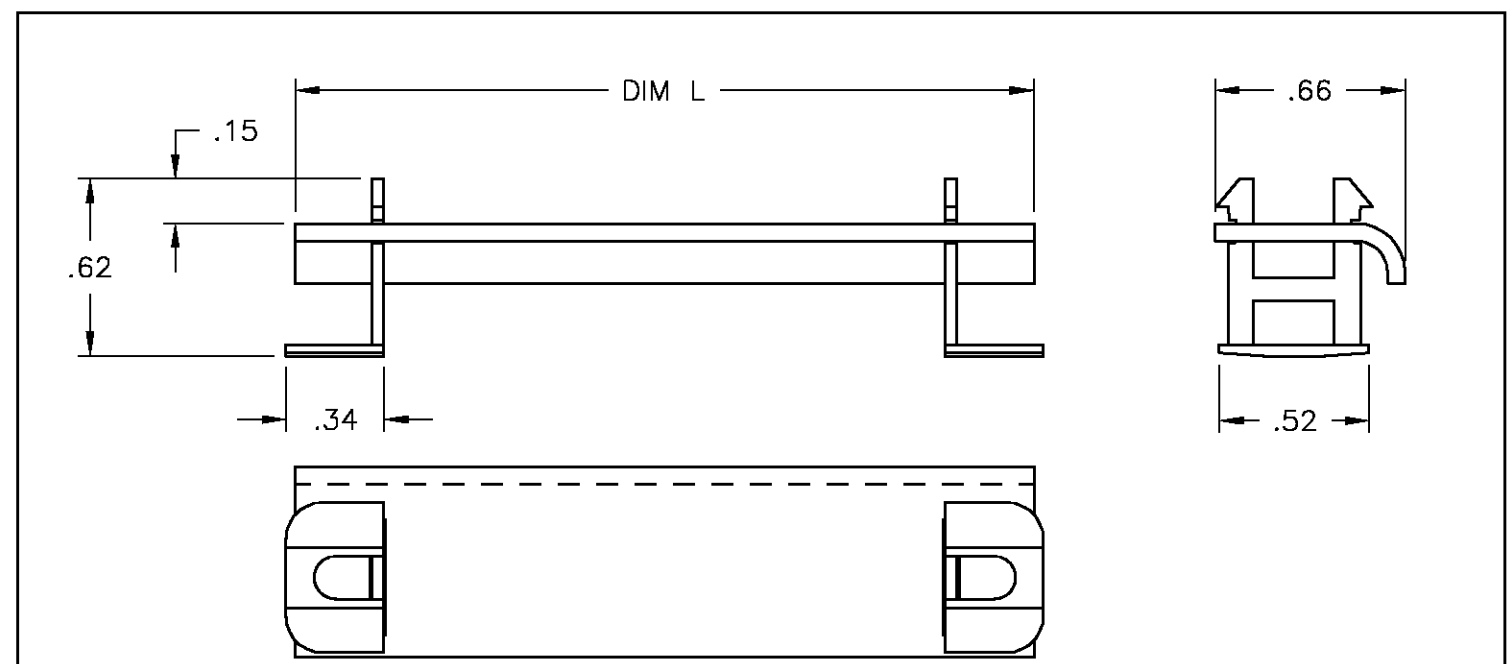
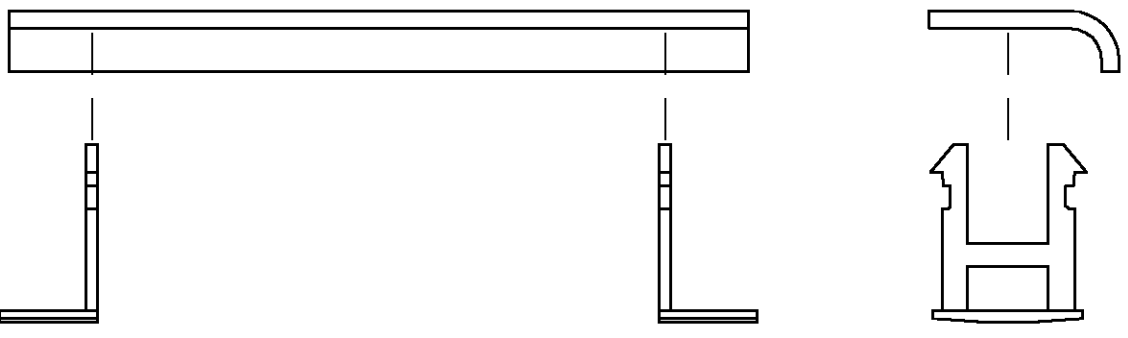
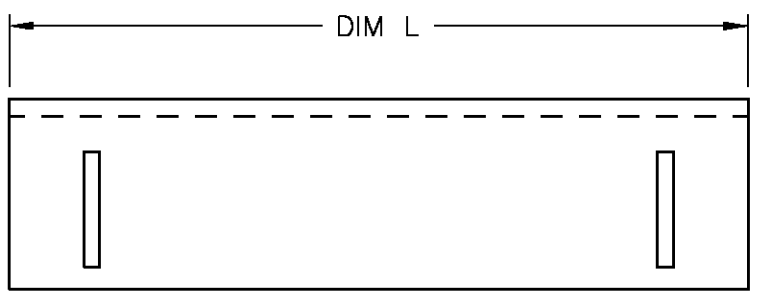


THIS DRAWING IS UNPUBLISHED. RELEASED FOR PUBLICATION
 © COPYRIGHT BY TYCO ELECTRONICS CORPORATION. ALL RIGHTS RESERVED.

LOC	DIST	REVISIONS			
P	LTR	DESCRIPTION	DATE	DWN	APVD
	B	REVISED PER 0G3B-0339-04	4/14/04	SS	SRY

- NOTES:
- 1. MATERIAL:
COVER: RIGID PVC, UL94V-0, COLOR CLEAR.
CLIP: NYLON, UL94V-0, COLOR BLACK
 - 2. FOR USE WITH BC6 TRIBARRIER STRIPS.
 - 3. MOUNTING HARDWARE NOT INCLUDED.
 - 4. PRELIMINARY PART NUMBER.



ASSEMBLED VIEW

	DIM L	NO OF POS.	CATALOG NUMBER	PART NUMBER
4	10.440	26	TC2-26-AG	2-1546835-6
4	10.065	25	TC2-25-AG	2-1546835-5
4	9.690	24	TC2-24-AG	2-1546835-4
4	9.315	23	TC2-23-AG	2-1546835-3
4	8.940	22	TC2-22-AG	2-1546835-2
4	8.565	21	TC2-21-AG	2-1546835-1
4	8.190	20	TC2-20-AG	2-1546835-0
4	7.815	19	TC2-19-AG	1-1546835-9
4	7.440	18	TC2-18-AG	1-1546835-8
4	7.065	17	TC2-17-AG	1-1546835-7
4	6.690	16	TC2-16-AG	1-1546835-6
4	6.315	15	TC2-15-AG	1-1546835-5
4	5.940	14	TC2-14-AG	1-1546835-4
4	5.565	13	TC2-13-AG	7-1437644-7
4	5.190	12	TC2-12-AG	1-1546835-2
4	4.815	11	TC2-11-AG	1-1546835-1
4	4.440	10	TC2-10-AG	1-1546835-0
4	4.065	9	TC2-09-AG	1546835-9
4	3.690	8	TC2-08-AG	7-1437644-5
4	3.315	7	TC2-07-AG	1546835-7
4	2.940	6	TC2-06-AG	7-1437644-4
4	2.565	5	TC2-05-AG	7-1437644-3
4	2.190	4	TC2-04-AG	1546835-4
4	1.815	3	TC2-03-AG	7-1437644-2
4	1.440	2	TC2-02-AG	7-1437644-1

THIS DRAWING IS A CONTROLLED DOCUMENT.		DWN S SCHEGEL 08OCT03	BUCHANAN Tyco Electronics Corporation Harrisburg, PA 17105	
DIMENSIONS: INCHES 		CHK S YODER 10/8/03		
TOLERANCES UNLESS OTHERWISE SPECIFIED: 0 PLC ± - 1 PLC ± - 2 PLC ± .01 3 PLC ± .005 4 PLC ± - ANGLES ± 1°		APVD S YODER 10/8/03	NAME TC2 TERMINAL COVER KIT (UNASSEMBLED)	
MATERIAL		PRODUCT SPEC	RESTRICTED TO	
FINISH		APPLICATION SPEC	SIZE A3	CAGE CODE 00779
		WEIGHT	DRAWING NO C-7-1437644-1	
CUSTOMER DRAWING			SCALE NTS	SHEET 1 OF 1