

5

4

3

2

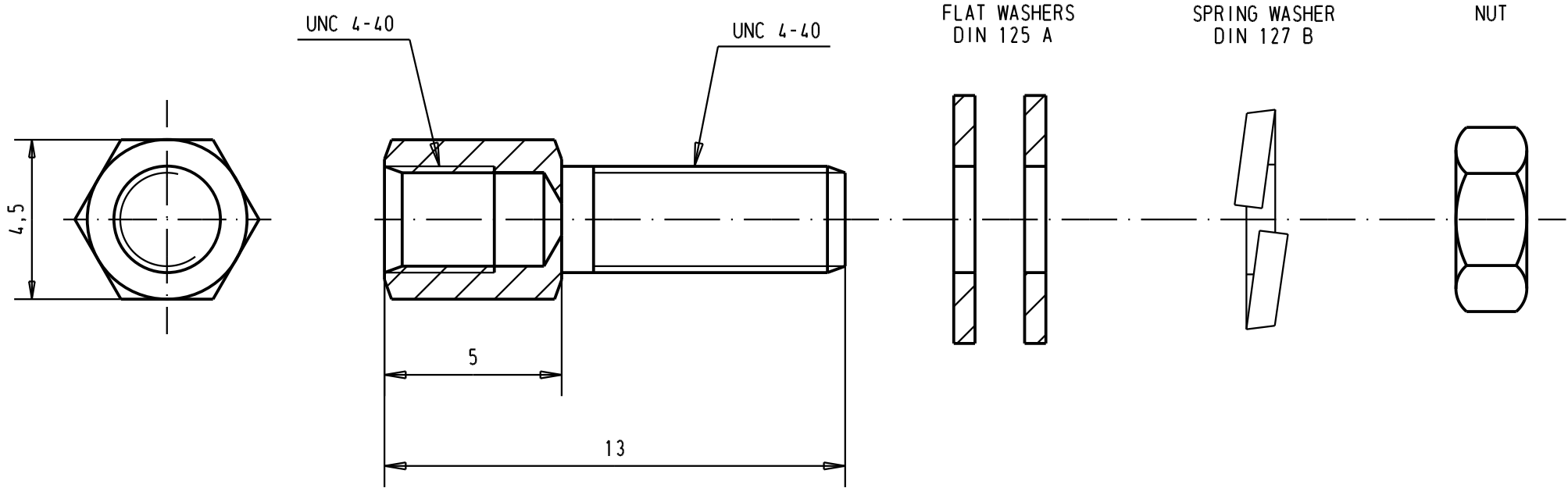
1



D

C

B

A



33263	15/11/05	JMDR		Dat.	Name	 All Dim. in mm Orig. Size DIN A 4	D-Sub, Female screw lock UNC 4-40 / UNC 4-40, 2 flat washers, spring washer and nut, nickel plated	Maßstab/ Scale 6:1
32706	10/02/05	AL	Detail.	27/05/04	JH			
31910	27/05/04	JH	Insp.					
29760	28/03/02	CV	Stand.					
23231	28/07/98	PP	HARTING EURL F-95972 Paris				TB 09670009922	Blatt/ Page 1 /
21221	18/07/97	MF						
Mod.	Dat.	Name						
							Sub.	