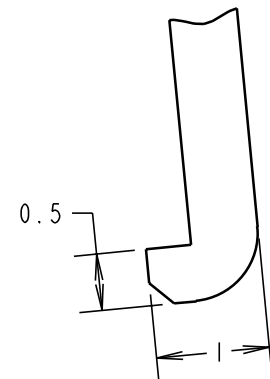
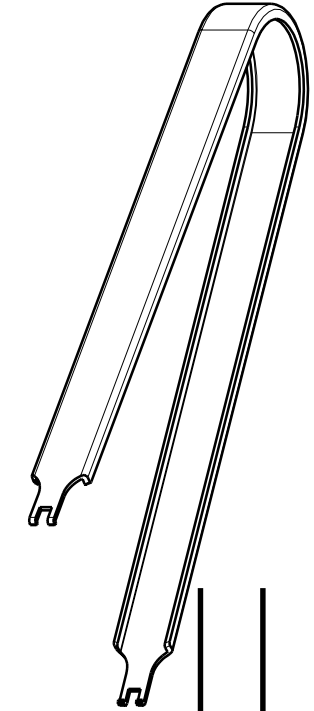
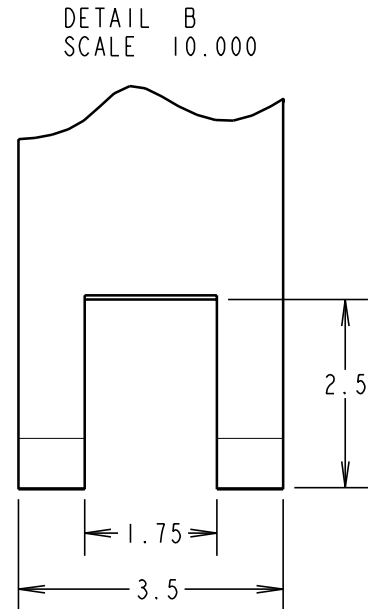
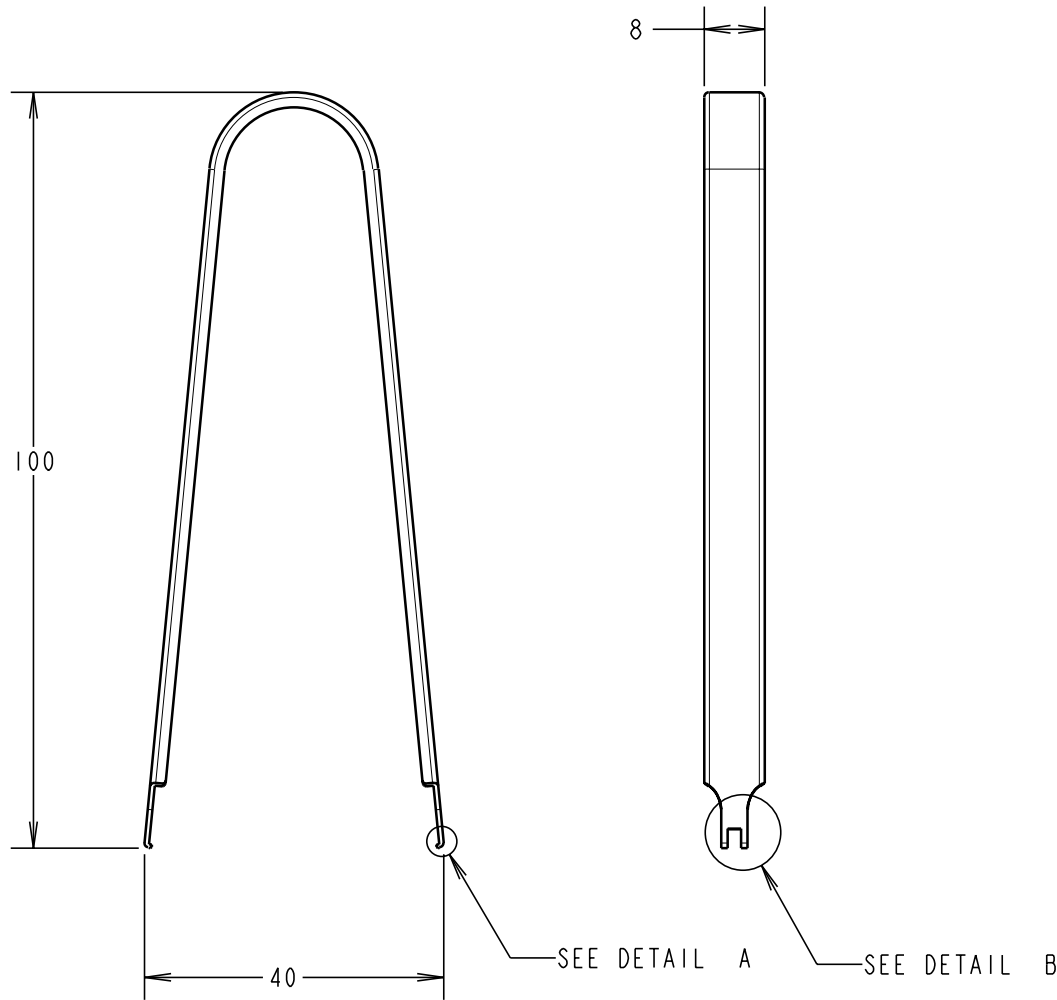


Customer Information Sheet

DRAWING No.: T5746 SHEET 2 OF 2 IF IN DOUBT - ASK © NOT TO SCALE THIRD ANGLE PROJECTION ALL DIMENSIONS IN mm



3	18.12.00	5646
ISS.	DATE	C/NOTE
APPROVED:		
CHECKED:		
DRAWN: M. PLESTED		
CUSTOMER REF.:		
ASSEMBLY DRG:		

HARWIN

HARWIN INC U.S.A. TEL: (812) 285 0055 FAX: (812) 285 0056	HARWIN PLC U.K. TEL: 023 9237 0451 FAX: 023 9231 4590	HARWIN PTE SINGAPORE TEL: 65 7794909 FAX: 65 7793868
--	--	---

THIS DRAWING AND ANY INFORMATION OR DESCRIPTIVE MATTER SET OUT HEREON ARE CONFIDENTIAL AND COPYRIGHT PROPERTY OF THE HARWIN GROUP AND MUST NOT BE DISCLOSED, LOANED, COPIED OR USED FOR MANUFACTURING, TENDERING OR FOR ANY OTHER PURPOSE WITHOUT THEIR WRITTEN PERMISSION.

TOLERANCES
ALL DIMENSIONS = $\pm 0.10\text{mm}$
ANGLES = $\pm 5^\circ$
UNLESS STATED

MATERIAL: SPRING STEEL
FINISH: BLACK
S/AREA: mm²

TITLE: CONNECTOR SEPARATOR TOOL
DRAWING NUMBER: T5746

SHT 2 OF 2