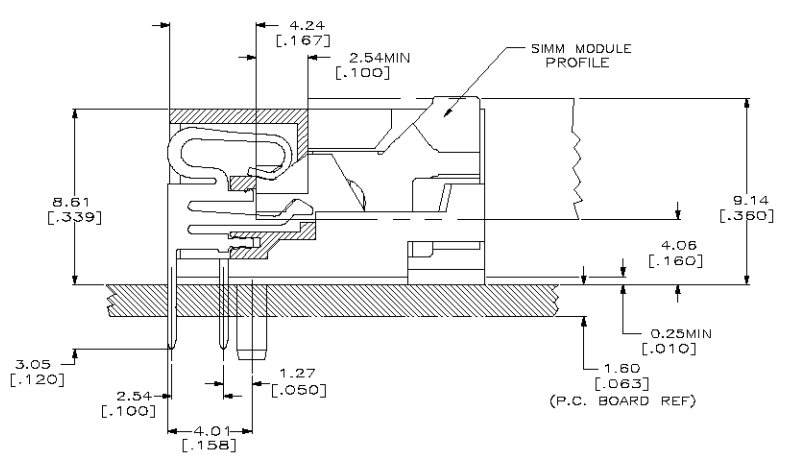
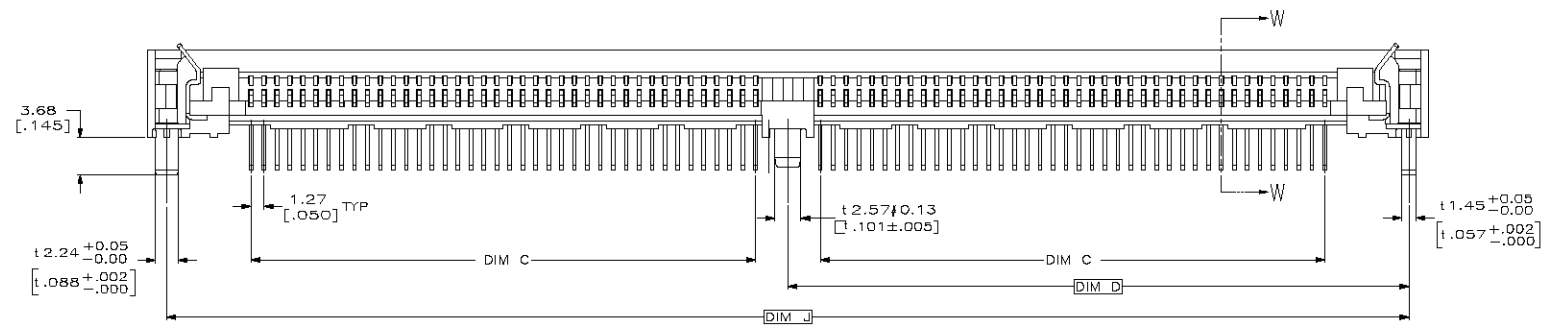
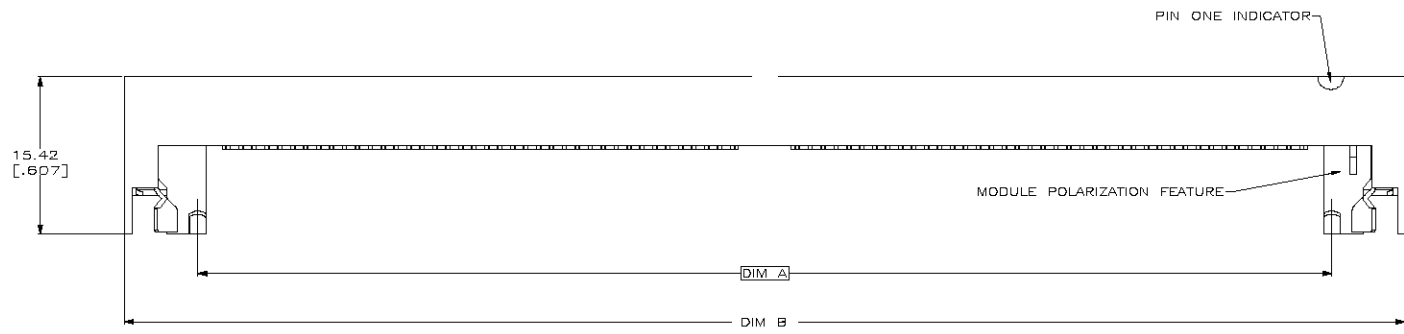


THIS DRAWING IS UNPUBLISHED.
 RELEASED FOR PUBLICATION
 BY THE ELECTRONIC CORPORATION
 ALL RIGHTS RESERVED.

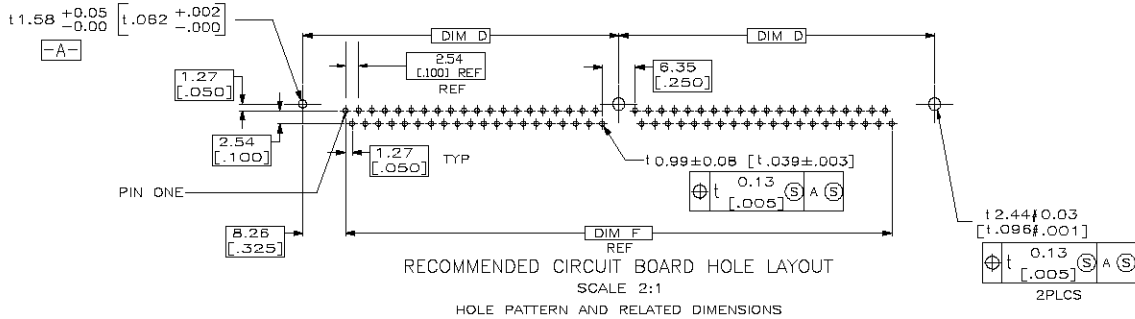
| REV ISION | | REVISIONS | | | |
|-----------|------|-------------|---------------|---------|-----------|
| REV | DATE | DESCRIPTION | BY | CHK | APP'D |
| 00 | | | | | |
| 0 | | RELEASED | ECO-95-001062 | ZEMARON | W.K. I.E. |



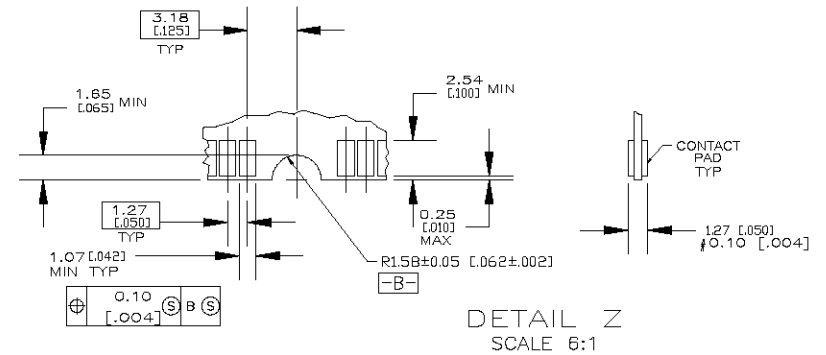
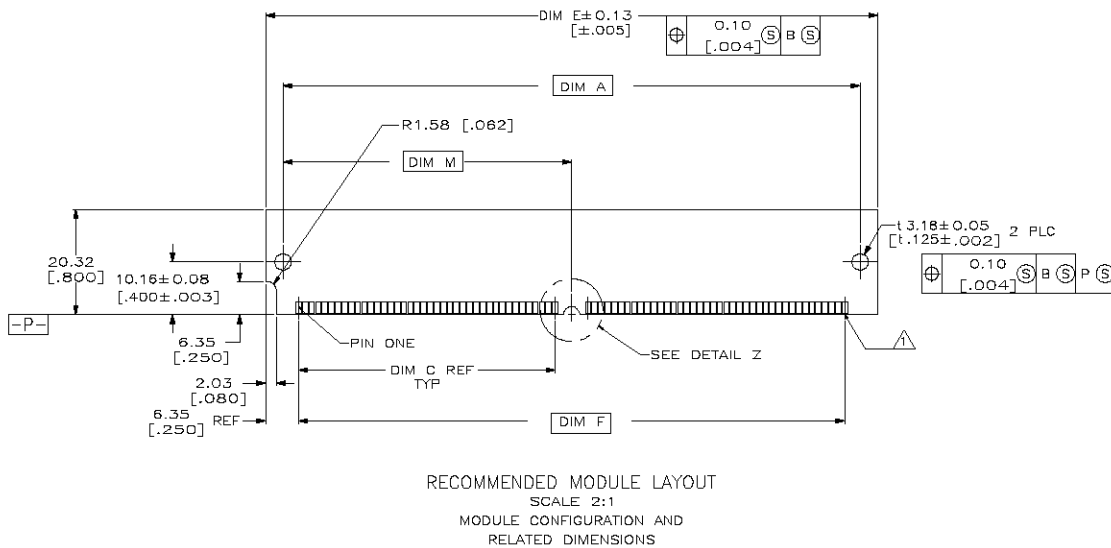
SECTION W-W
 SCALE 8:1

| | | | | | |
|--|--|------------------------|----------------------|------------------------------|--------|
| THIS DRAWING IS A CONTROLLED DOCUMENT. | | DESIGNED BY: WENKE HE | DRAWN BY: ZEMARON | Type Electronics Corporation | |
| | | CHECKED BY: STEVEN YAO | APPROVED BY: ZEMARON | mt. jpn. ps 17992 | |
| DRAWN BY: WENKE HE | | DATE: 01/17/00 | SCALE: 4:1 | SHEET 1 OF 2 | |
| PART: SIMM H RTANG 1.27[.050] | | APPLICATOR SPEC: | | RESTRICTED TO: | |
| MATERIAL: HSG-GLASS REINF | | SIZE: A1 | DATE CODE: 00779 | DRAWING NO: C-5382482 | REV: 0 |
| FINISH: FERRI | | CUSTOMER DRAWING | | PAGE 4:1 | |

| REV | DATE | DESCRIPTION | BY | CHK | APP |
|-------|------|-------------|----|-----|-----|
| GP 00 | | SEE SHEET 1 | | | |



- △ FOR OPTIMUM PERFORMANCE, CONTACT PAD PLATING SHOULD BE SMOOTH AND FLAT. COPPER CONTACT PADS ARE TO BE OVERPLATED WITH .00127[.000050] MIN THK NICKEL FOLLOWED WITH .00254[.000100] MIN THK TIN PLATING.
- △ 0.00381 [.000150] MIN. THK TIN OVER 0.00127 [.000050] MIN. THK NICKEL OVER ENTIRE CONTACT.



| | | | | | | | | | |
|---------------|----------------|---------------|----------------|---------------|---------------|----------------|----------------|------|-------------|
| 50.60 [1.992] | 111.76 [4.400] | 95.25 [3.750] | 107.95 [4.250] | 55.88 [2.200] | 44.45 [1.750] | 115.57 [4.550] | 101.19 [3.984] | 72 | 7-5382482-2 |
| DIM M | DIM J | DIM F | DIM E | DIM D | DIM C | DIM B | DIM A | POSN | PART NO. |

THIS DRAWING IS A CONTROLLED DOCUMENT.

INVENOR: WENKE HE
 DESIGNED BY: STEVEN YAO
 DRAWN BY: LENDOMOTO

DRAWING NO.: 5382482

TYPE: SIMM II, RTANG, 1.27 [0.50] CENTERLINE ASSY, 4.06 [1.60] HGT

MATERIAL: CUSTOMER DRAWING

SCALE: 4:1

SHEET: 2 OF 2

REV: 0