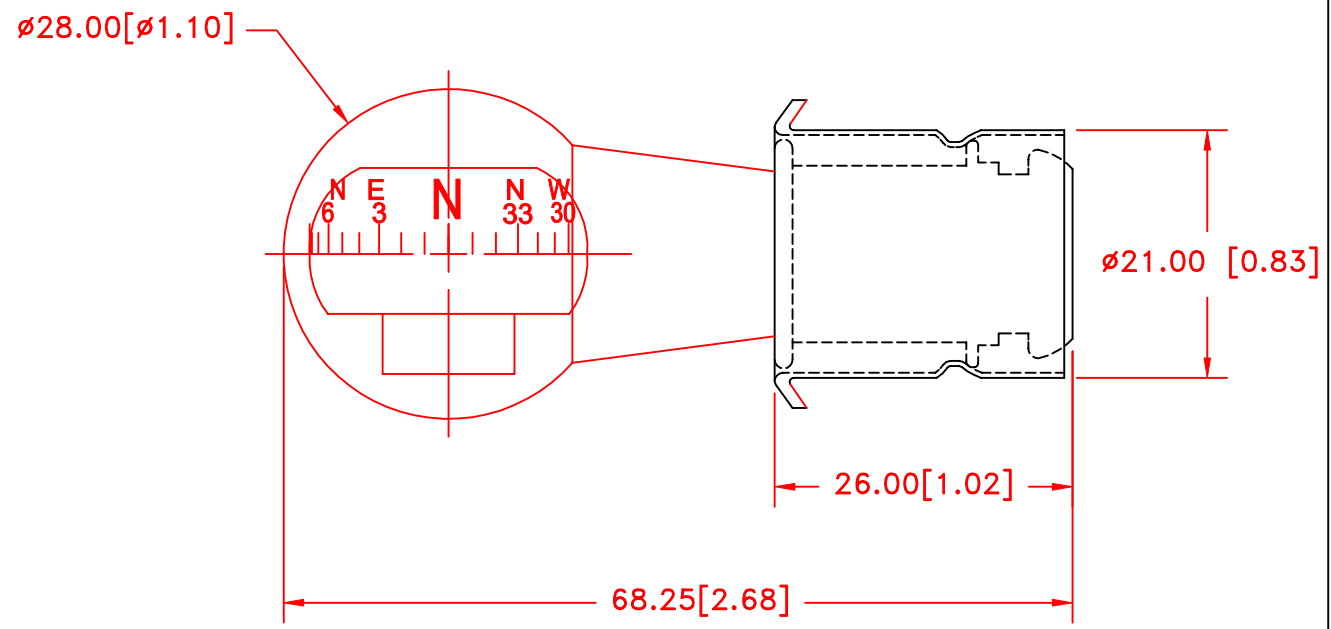



Date	SYM	REVISION RECORD	AUTH	DR.	CK.



Tolerance (Except as noted)	 <b>Memory Protection Devices, Inc</b> 200 Broad Hollow Road, Farmingdale, New York 11735	Scale	
		decimal	Drawn By B.S.
$\pm .5$ (.020)		Approved By T.B.	
Fractional	Title	CIGARETTE LIGHTER WITH COMPASS	
$\pm .8$ (.030)	Date	Drawing Number	
Angular	09/21/02	ZA6003	
$\pm 3^\circ$			