

REVISIONS		
LTR	DESCRIPTION	DATE
D	REVISED PER ECO-11-002238	01/31/2011

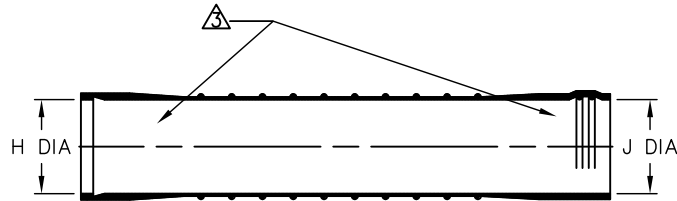
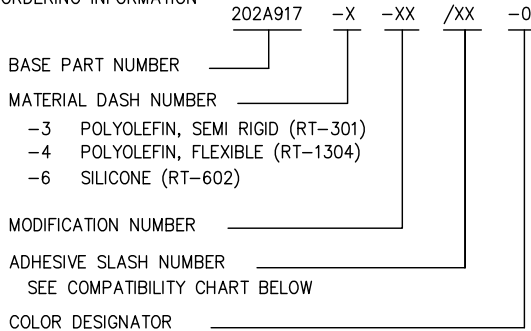
NOTES:

- ALL DIMENSIONS ARE IN INCHES
[MILLIMETERS]
- DIMENSIONS APPEARING IN TABLE ARE AS FOLLOWS:
a - AS SUPPLIED
b - AFTER UNRESTRICTED RECOVERY

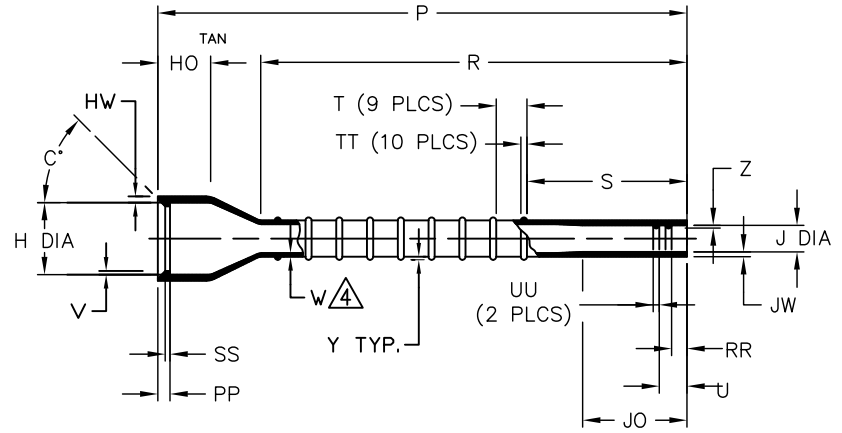
3. COATING (ADHESIVE): IS OPTIONAL AS SUPPLIED DIMENSIONS APPEARING IN TABLE ARE FOR UNCOATED PARTS. WHEN COATING IS ADDED, ENTRY DIAMETER WILL BE REDUCED BY .06 [1.5] MAX.

4. "W" DIMENSION APPLIES IN RIBBED AREA OF PART ONLY.

5. ORDERING INFORMATION



AS SUPPLIED



AFTER UNRESTRICTED RECOVERY

TABLE OF DIMENSIONS

PART DESCRIPTION	H		J			P	R	S	T	U	PP	RR	SS	TT
	MIN a	MAX b	MIN -3,-4 a	MIN -49 a	MAX b	±.25 b	±.25 b	±.12 b	.05 b	±.03 b	±.03 b	±.03 b	±.03 b	±.03 b
202A917	1.45 [36,8]	1.17 [29,7]	1.45 [36,8]	1.00 [25,4]	.36 [9,1]	9.00 [228,6]	7.35 [186,7]	1.93 [49,0]	.50 [12,7]	.28 [7,1]	.20 [5,1]	.15 [3,8]	.06 [1,5]	.06 [1,5]
PART DESCRIPTION	UU	HO	JO	HW	JW	W	V	Y	Z	C*				
202A917	±.02 b	±.08 b	±.12 b	±.02 b	±.02 b	±.02 b	±.02 b	±.02 b	±.01 b	±5° b				
202A917	.03 [0,8]	.86 [21,8]	1.20 [30,5]	.10 [2,5]	.08 [2,0]	.05 [1,3]	.04 [1,0]	.04 [1,0]	.03 [0,8]	45°				

If this document is printed it becomes uncontrolled. Check for the latest revision

CUSTOMER DRAWING

COMPATIBILITY CHART

MATERIAL DASH NO.	ADHESIVE (COATING) SLASH NUMBER	ADHESIVE (COATING) S NUMBER
-3	/42; /86	S-1017; S-1048
-4	/42; /86	S-1017; S-1048
-6	N/A	N/A

UNLESS OTHERWISE SPECIFIED DIMENSIONS ARE INCHES. METRIC DIMENSIONS ARE IN BRACKETS.

DECIMAL TOLERANCES
.XXX ± 0.005 [0.13 mm]
.XX ± 0.01 [0.25 mm]
.X ± 0.1 [0.50 mm]

ANGLE TOLERANCE
.X ± 1 DEG.

TYCO ELECTRONICS RESERVES THE RIGHT TO AMEND THIS DRAWING AT ANY TIME. USERS SHOULD EVALUATE THE SUITABILITY OF THE PRODUCT FOR THEIR APPLICATION.

DRAWN
UNGUYEN

APPROVED
DHURRELL

THIRD ANGLE PROJECTION

Tyco Electronics Raychem Molded Parts
305 Constitution Dr
Menlo Park, CA 94025

TITLE
**BOOT, STRAIGHT,
WITH LIP AND RIPS**

SIZE
B

CODE IDENT. NO.
06090

DWG. NO.
202A917

© 2003-2011 Tyco Electronics Corporation. All rights reserved. DO NOT SCALE THIS DRAWING SHEET 1 OF 1