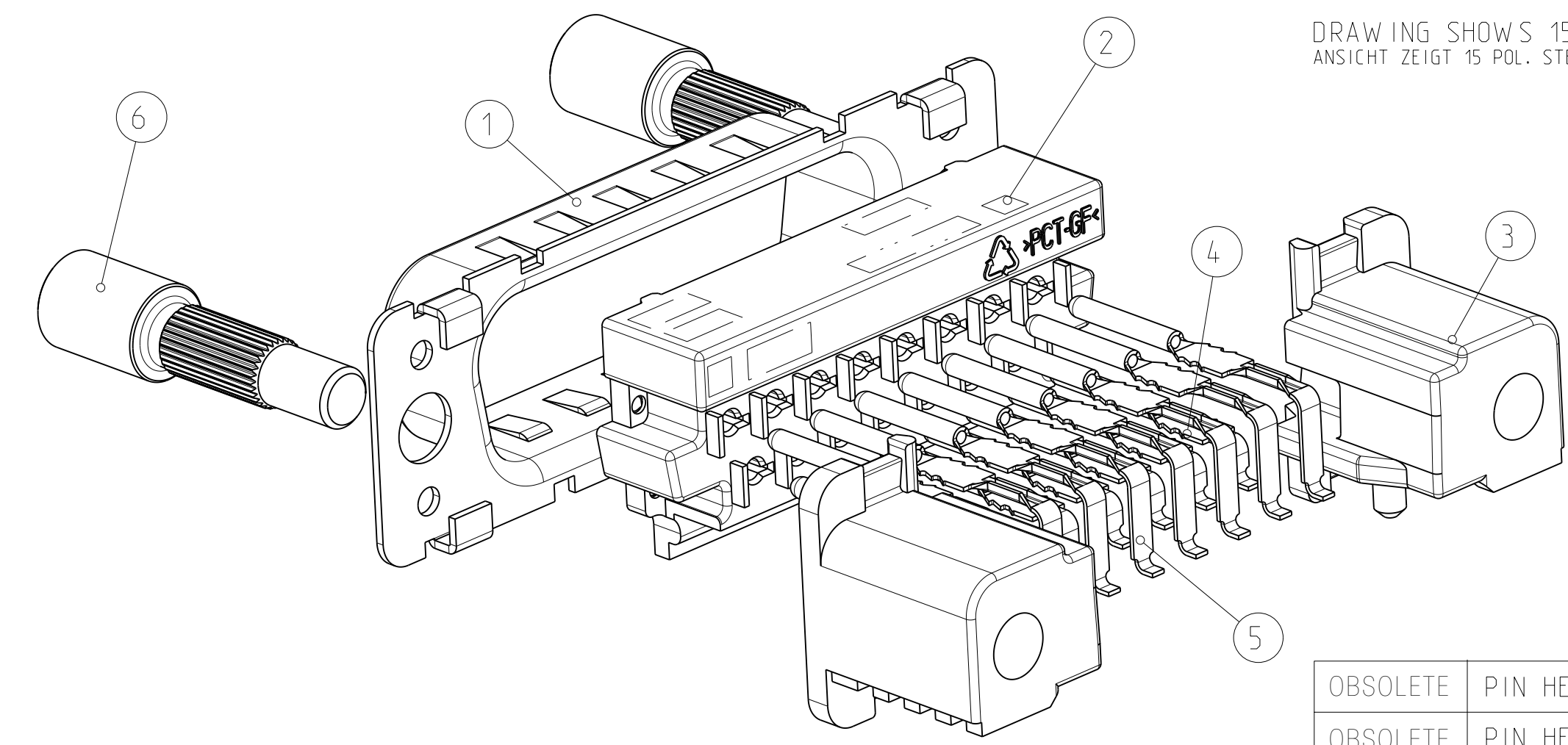
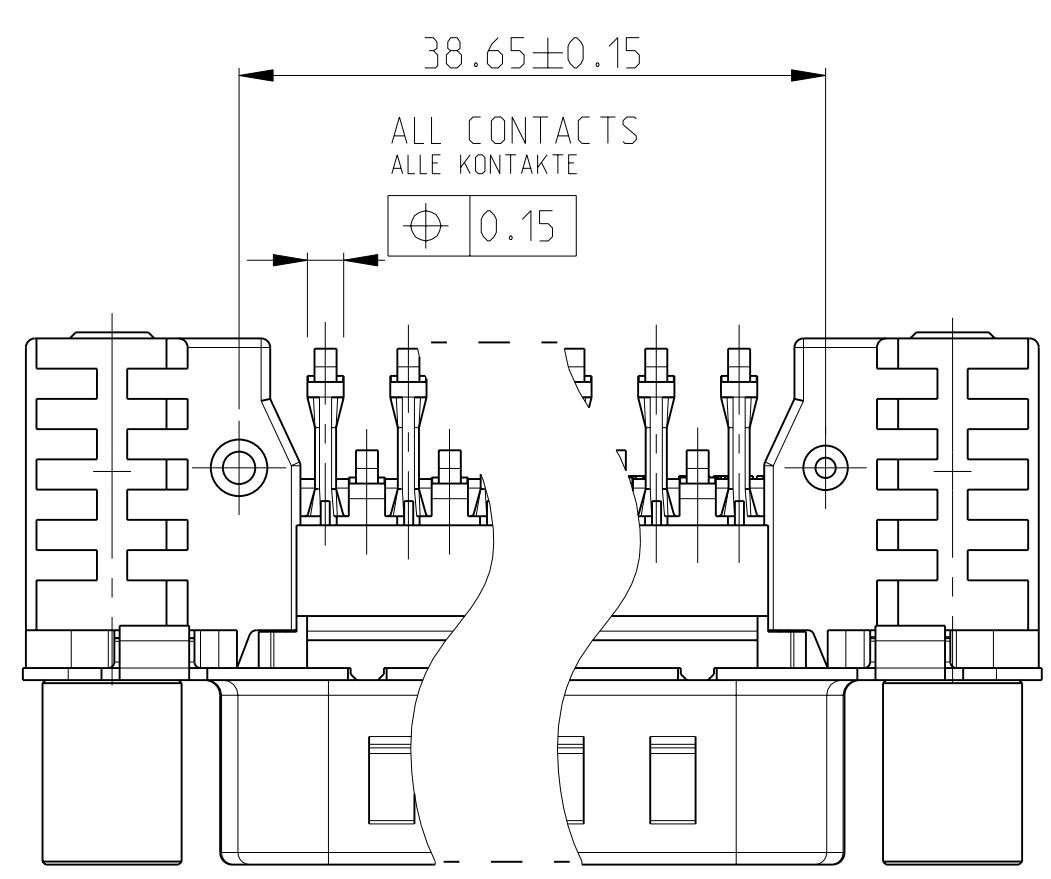
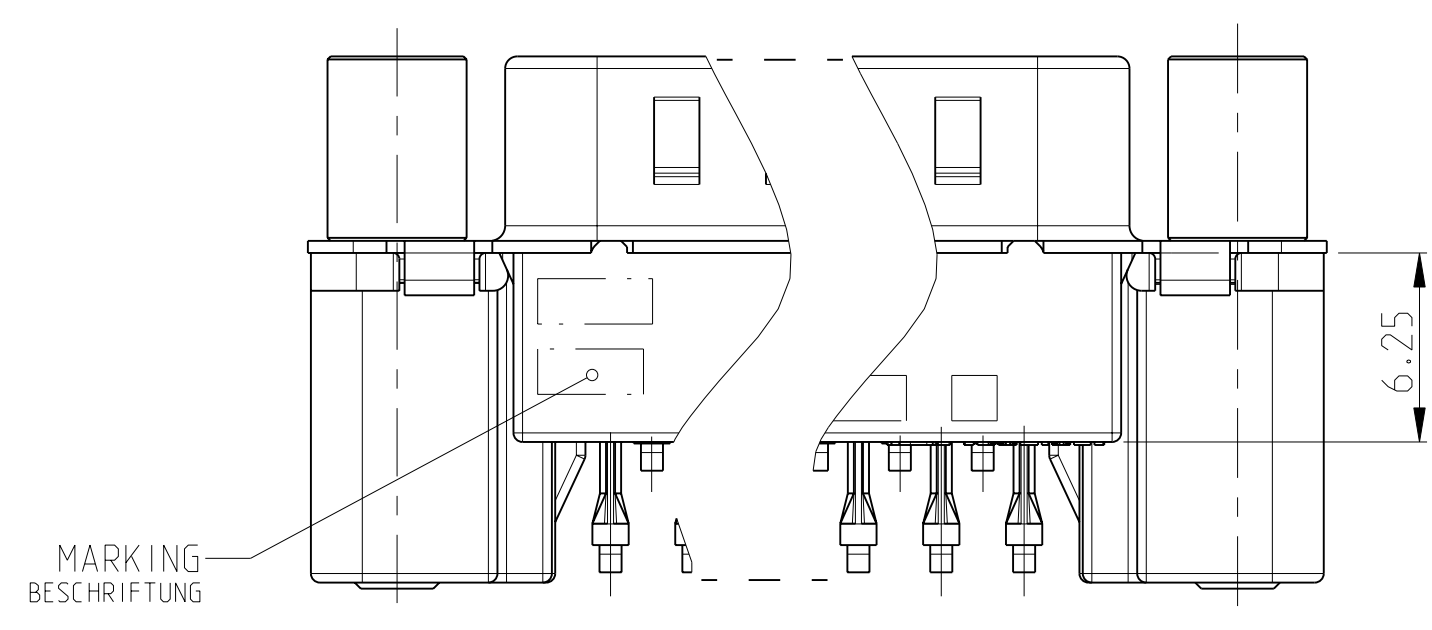
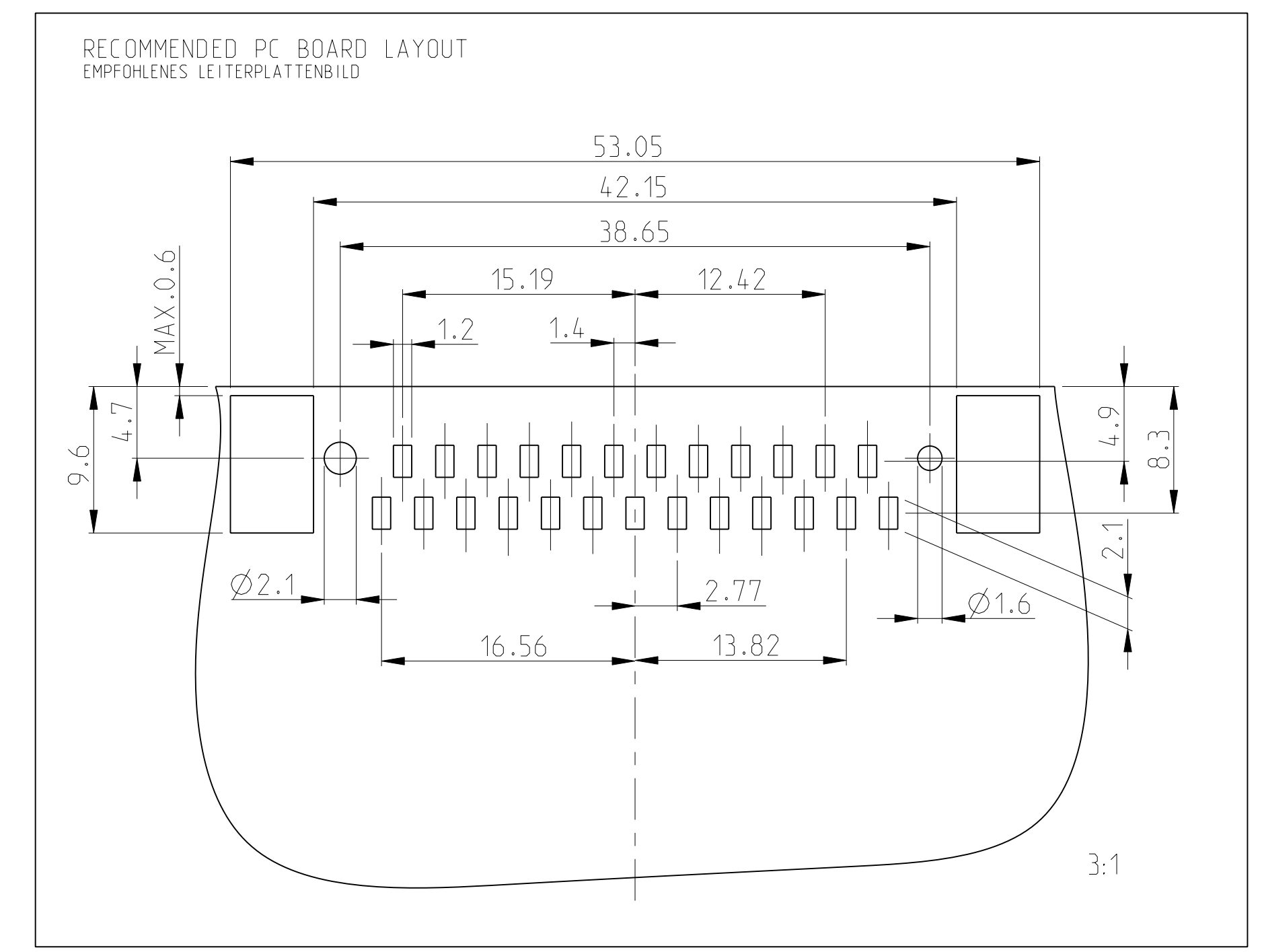
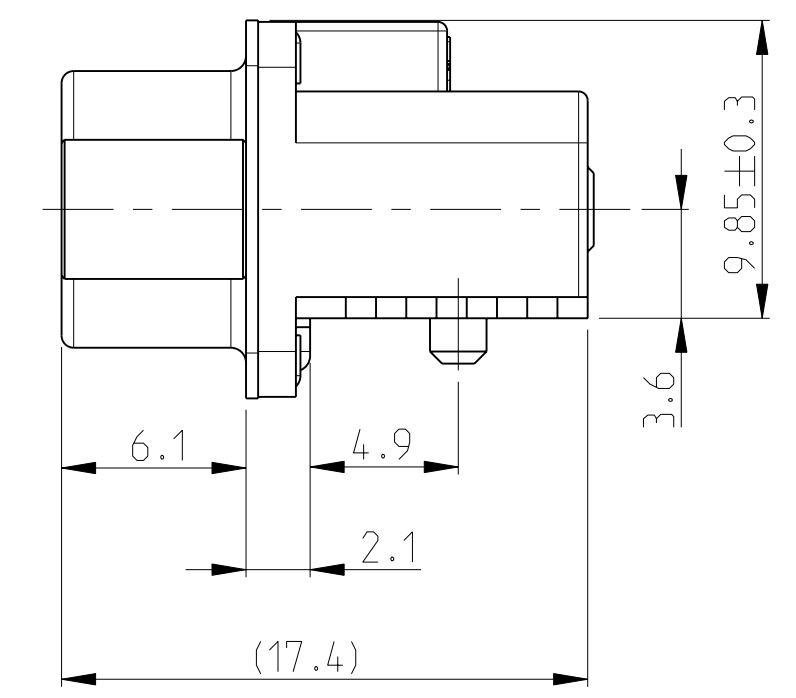
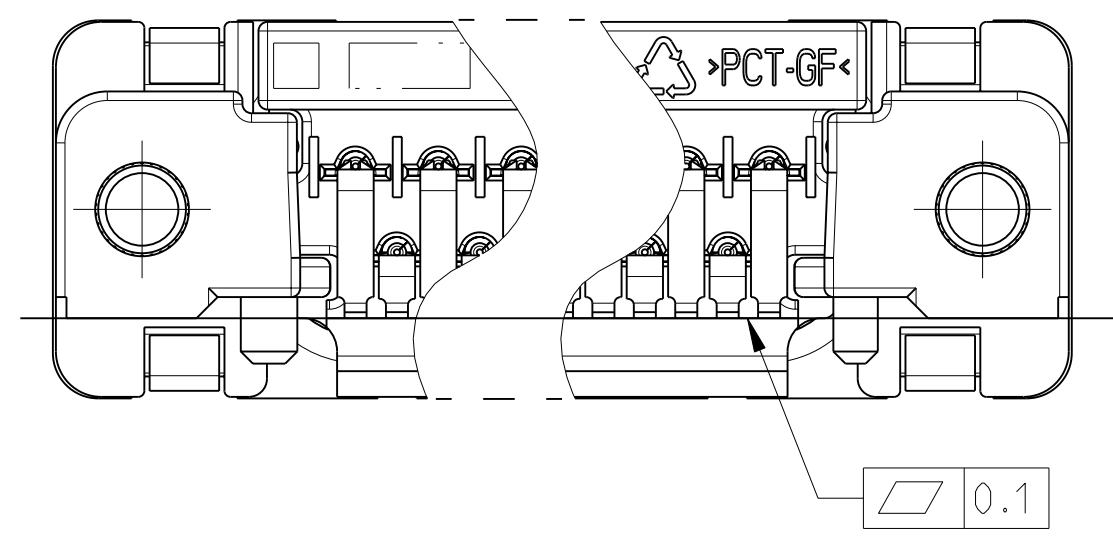


LOC	DIST	REV	DATE	BY	CHK	APPV
A1	-					
PROJECT NO. EGGMND3028		C1	06APR2010			
		D	29SEP10	RK	KMA	
		E	29FEB2012	CJW	SLB	



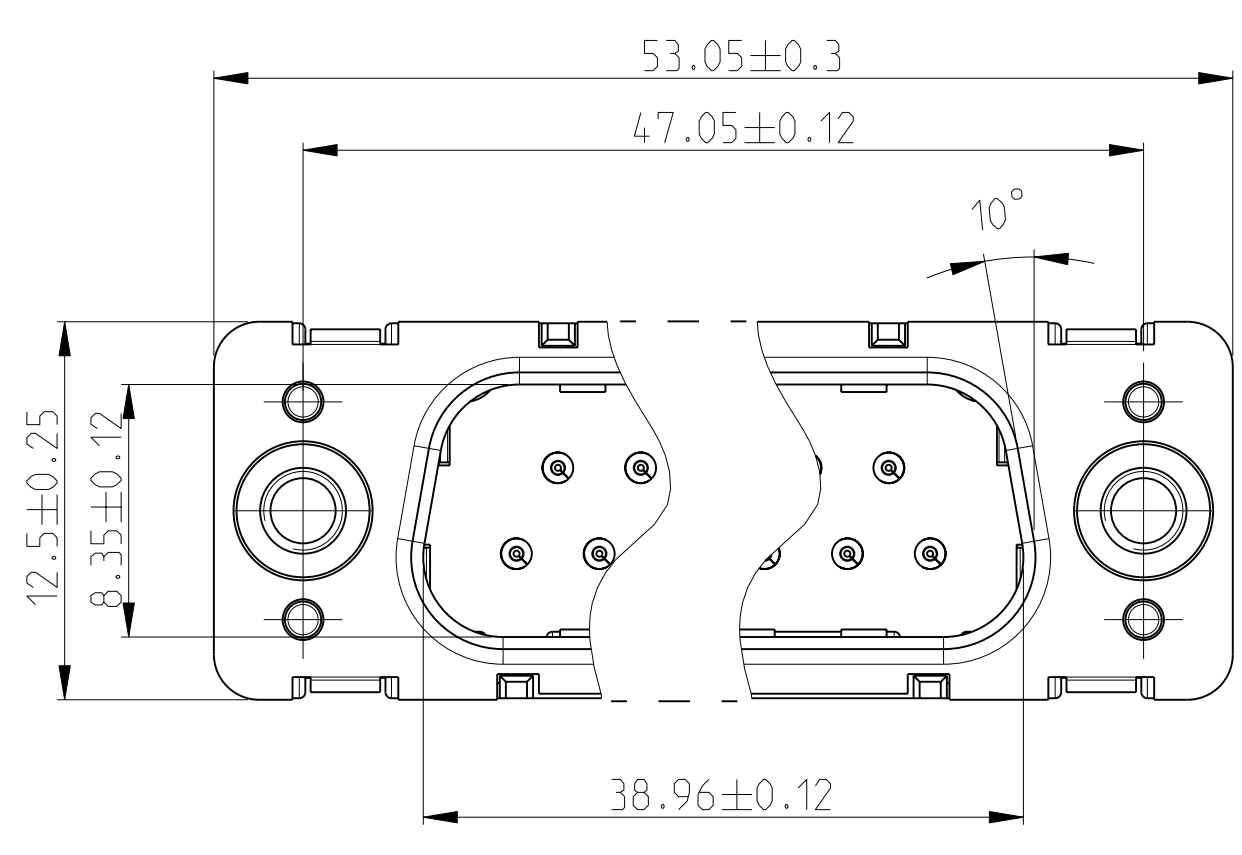
DRAWING SHOWS 15 POS. CONNECTOR
 ANSICHT ZEIGT 15 POL. STECKER

OBSOLETE	PIN HEADER, 25 POS., STUD WITH THREAD M3	4-1740199-2	4-1740199-5
OBSOLETE	PIN HEADER, 25 POS., BRACKET WITH THREAD M3	2-1740199-2	2-1740199-5
	PIN HEADER, 25 POS., STUD WITH THREAD UNC 4-40	3-1740199-2	3-1740199-5
	PIN HEADER, 25 POS., BRACKET WITH THREAD UNC 4-40	1-1740199-2	1-1740199-5
OBSOLETE	PIN HEADER, 25 POS., BRACKET WITH HOLE Ø3.1	0-1740199-2	0-1740199-5
	DESCRIPTION	SHELL PLATING: TIN OVER NI	SHELL PLATING: Ni



- REMARKS:
- ⚠ CONTACT AREA: min. 0.8 μm Au OVER 1.27 μm Ni. SOLDER AREA: 3-5 μm Sn OVER min. 1.27 μm Ni
 - 2 PACKAGING SEE SHEET 2
 - 3 CONNECTOR SUITABLE TO LEAD-FREE SMT SOLDER PROCESS
 - ⚠ TIN OVER NICKEL

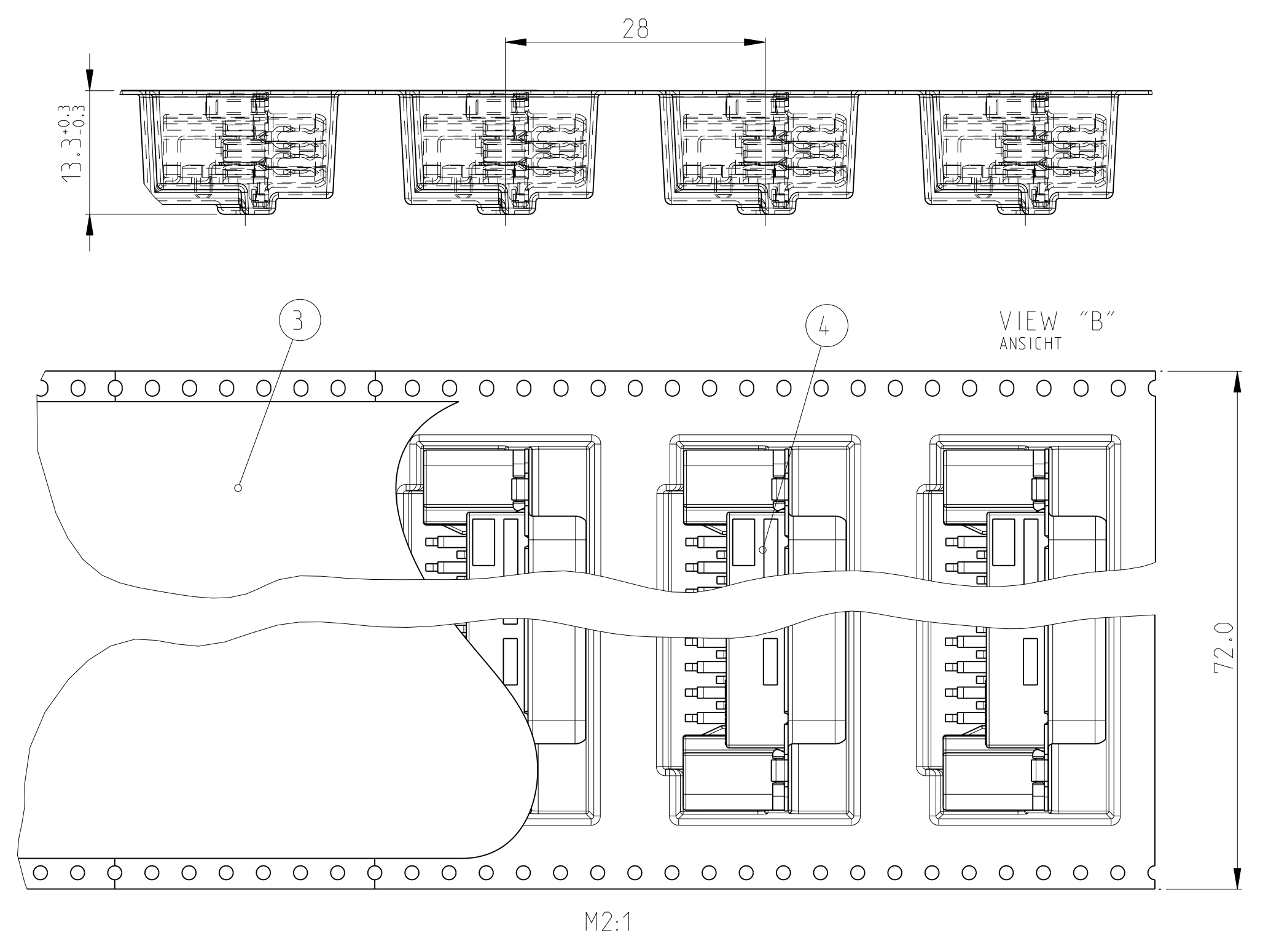
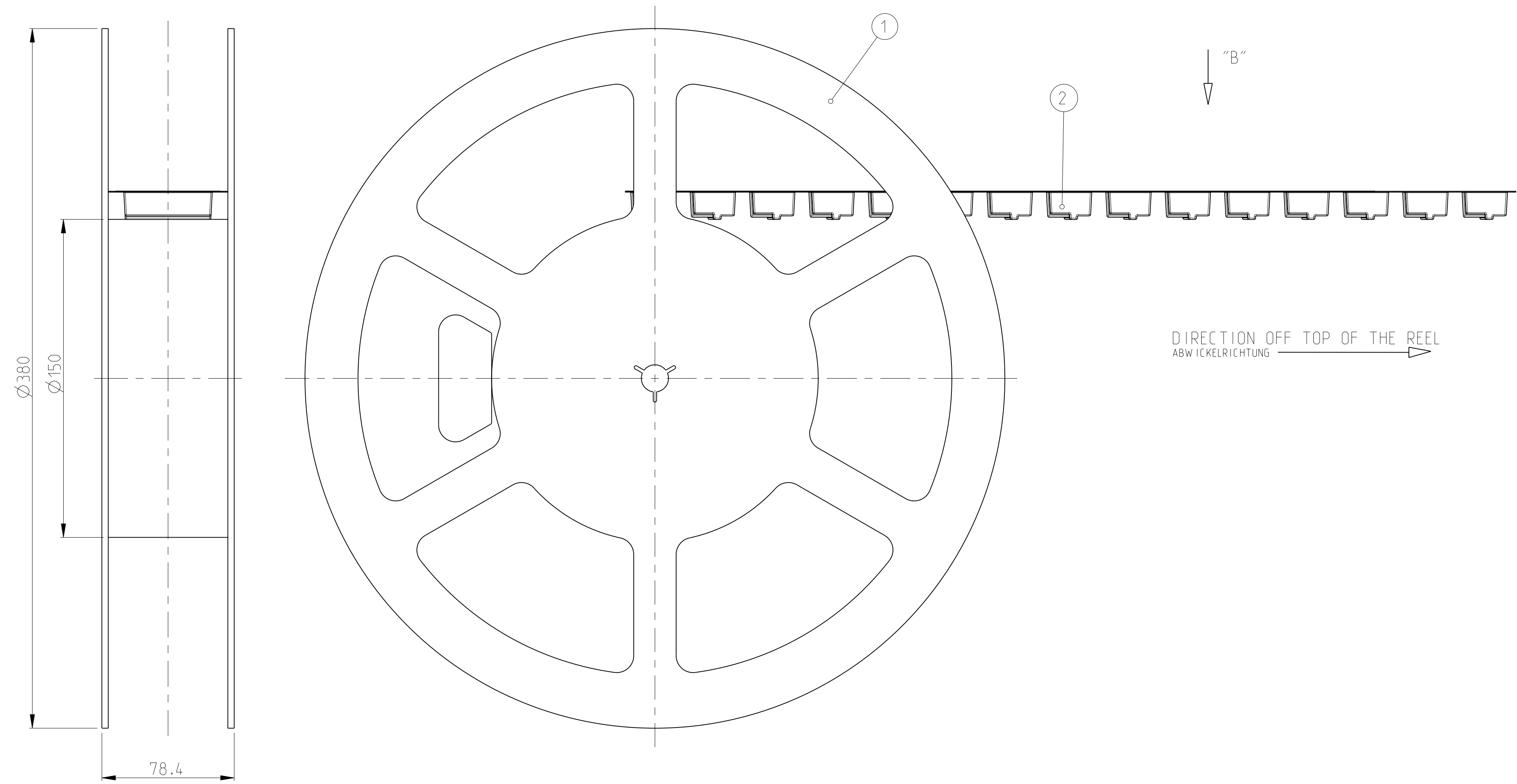
- BEMERKUNGEN:
- ⚠ KONTAKTBEREICH: min. 0.8 μm Au UEBER 1.27 μm Ni. LOETBEREICH: 3-5 μm Sn UEBER min. 1.27 μm Ni
 - 2 VERPACKUNGSART SIEHE BLATT 2
 - 3 STECKER GEEIGNET FUER BLEIFREIES LOETEN
 - ⚠ ZINN UEBER NICKEL



POS.	QTY.	DESCRIPTION BENENNUNG	SURFACE OBERFLAECHE COLOUR/FARBE	MATERIAL
6	2	THREAD STUD GEWINDEBOLZEN	NICKEL NICKEL	STEEL STAHL
5	13	PIN CONTACT, SMD, LONG STIFTKONTAKT, SMD, LANG	⚠	CuMg
4	12	PIN CONTACT, SMD, SHORT STIFTKONTAKT, SMD, KURZ	⚠	CuMg
3	2	BRACKET, SMD, LEFT/RIGHT W INKELSTUECK, SMD, LINKS/RECHTS	⚠	CAST METAL DRUCKGUSS
2	1	PIN HOUSING STIFTGEHAUSE	BLACK SCHWARZ	PCT-GF
1	1	SHELL SCHIRMBLECH	SEE TABLE SIEHE TABELLE	STEEL STAHL

DIMENSIONS MASSENEIEN: (mm)	TOLERANCES, UNLESS OTHERWISE SPECIFIED: ALLGEMEINTOLERANZEN	DWN T.SCHLUEIER 30NOV2004	Tyco Electronics Tyco Electronics AMP GmbH 64225 Bensheim (Germany)
DIMENSIONS MASSENEIEN: (mm)	TOLERANCES, UNLESS OTHERWISE SPECIFIED: ALLGEMEINTOLERANZEN	CBY M.SCHAARSCHEIDT 01DEC2004	NAME HDP20 PIN HEADER, SMT, 25 POS. HDP20 STIFTELEISTE, SMT, 25 POL. EUROSTYLE
DIMENSIONS MASSENEIEN: (mm)	TOLERANCES, UNLESS OTHERWISE SPECIFIED: ALLGEMEINTOLERANZEN	APVD G.FELDMEIER 01DEC2004	SIZE A11 00779
DIMENSIONS MASSENEIEN: (mm)	TOLERANCES, UNLESS OTHERWISE SPECIFIED: ALLGEMEINTOLERANZEN	PRODUCT SPEC 108-94.000	DRAWING NO. 1740199
DIMENSIONS MASSENEIEN: (mm)	TOLERANCES, UNLESS OTHERWISE SPECIFIED: ALLGEMEINTOLERANZEN	APPLICATION SPEC VERARBEITUNGSPEZ.	SCALE MASSSTAB 5:1
DIMENSIONS MASSENEIEN: (mm)	TOLERANCES, UNLESS OTHERWISE SPECIFIED: ALLGEMEINTOLERANZEN	FINISH/SURFACE/FARBE SEE TABLE S.TABELLE	SHEET BLATT 1 OF 2
DIMENSIONS MASSENEIEN: (mm)	TOLERANCES, UNLESS OTHERWISE SPECIFIED: ALLGEMEINTOLERANZEN	WEIGHT GEWICHT -	REV E
DIMENSIONS MASSENEIEN: (mm)	TOLERANCES, UNLESS OTHERWISE SPECIFIED: ALLGEMEINTOLERANZEN	CUSTOMER DRAWING /KUNDENZEICHNUNG	RESTRICTED TO NUR FUER -

LOC	DIST	REV	DATE	BY	APPV	
A1	-	1	-	-	-	
P		LTB	DESCRIPTION	DATE	DWN	APVD
-		-	SEE SHEET 1	-	-	-



REMARKS:

- COVER TAPE WITH BLISTER BELT WELDED OR PASTED
- BLISTER BELT, COVER AND TAPE ACC. TO DIN/IEC 286 PART 3
- FIRST AND LAST RUNNING OF THE CARRIER TAPE ACC. TO DIN/IEC 286 PART 3
- 6.4m BLISTERBELT AND 6.5m COVER TAPE, 200 LOOSE PIECE PARTS

BEMERKUNGEN:

- ABDECKBAND MIT BLISTERGURT VERSCHWEISST ODER VERKLEBT
- BLISTERGURT, ABDECKBAND UND REEL NACH DIN/IEC 286 TEIL 3
- VOR- UND NACHLAUF AM BLISTERGURT NACH DIN/IEC 286 TEIL 3
- 6.4m BLISTERGURT UND 6.5m ABDECKBAND, 200 EINZELTEILE

4-1740199-5	3-1740199-5	2-1740199-5	1-1740199-5	0-1740199-5
OBSOLETE	OBSOLETE	OBSOLETE	OBSOLETE	OBSOLETE
4-1740199-2	3-1740199-2	2-1740199-2	1-1740199-2	0-1740199-2

TE ORDER NO. BESTELL-NR.	POS.	QTY	UNIT	DESCRIPTION	SURFACE OBERFLAECHE COLOUR/FARBE	MATERIAL			
1740199	4	200	-	SUB-D PIN HEADER, 25 POS., STUD M3 SUB-D STIFTSTECKER, 25 POL., BOLZEN M3	-	-			
	4	-	200	SUB-D PIN HEADER, 25 POS., STUD UNC4-40 SUB-D STIFTSTECKER, 25 POL., BOLZEN UNC4-40	-	-			
	4	-	200	SUB-D PIN HEADER, 25 POS., M3 SUB-D STIFTSTECKER, 25 POL., M3	-	-			
	4	-	-	200	SUB-D PIN HEADER, 25 POS., UNC4-40 SUB-D STIFTSTECKER, 25 POL., UNC4-40	-	-		
	4	-	-	200	SUB-D PIN HEADER, 25 POS. SUB-D STIFTSTECKER, 25 POL.	-	-		
	3	6.5m	6.5m	6.5m	6.5m	6.5m	COVER BELT FOR BLISTER BELT ABDECKBAND FUER BLISTERGURT	TRANSPARENT	PET
	2	6.4m	6.4m	6.4m	6.4m	6.4m	BLISTER BELT BLISTERGURT	GREY/BLACK GRAU/SCHWARZ	PS
	1	1	1	1	1	1	REEL SPULE	GREY GRAU	PS

DIMENSIONS: mm 		TOLERANCES UNLESS OTHERWISE SPECIFIED: 0 PLC ± 1 PLC ± 2 PLC ± 3 PLC ± 4 PLC ± ANGLES ±°		DWN 30NOV2004 CHK M.SCHAARSCHMIDT APVD G.FELDMEIER NAME HDP20 PIN HEADER, SMT, 25 POS. HDP20 STIFTLAECHE, SMT, 25 POL. EUROSTYLE		Tyco Electronics AMP GmbH 64225 Bensheim (Germany)	
MATERIAL: SEE TABLE S-TABELLE FINISH: SEE TABLE S-TABELLE		WEIGHT: - CUSTOMER DRAW ING		SIZE: A1 00779 C=1740199 SCALE: 5:1 SHEET 2 OF 2		RESTRICTED TO: E	