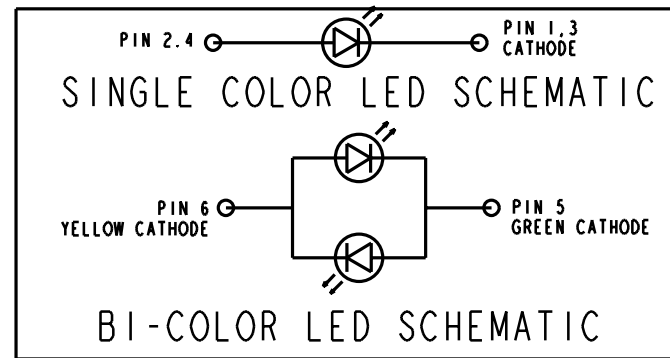
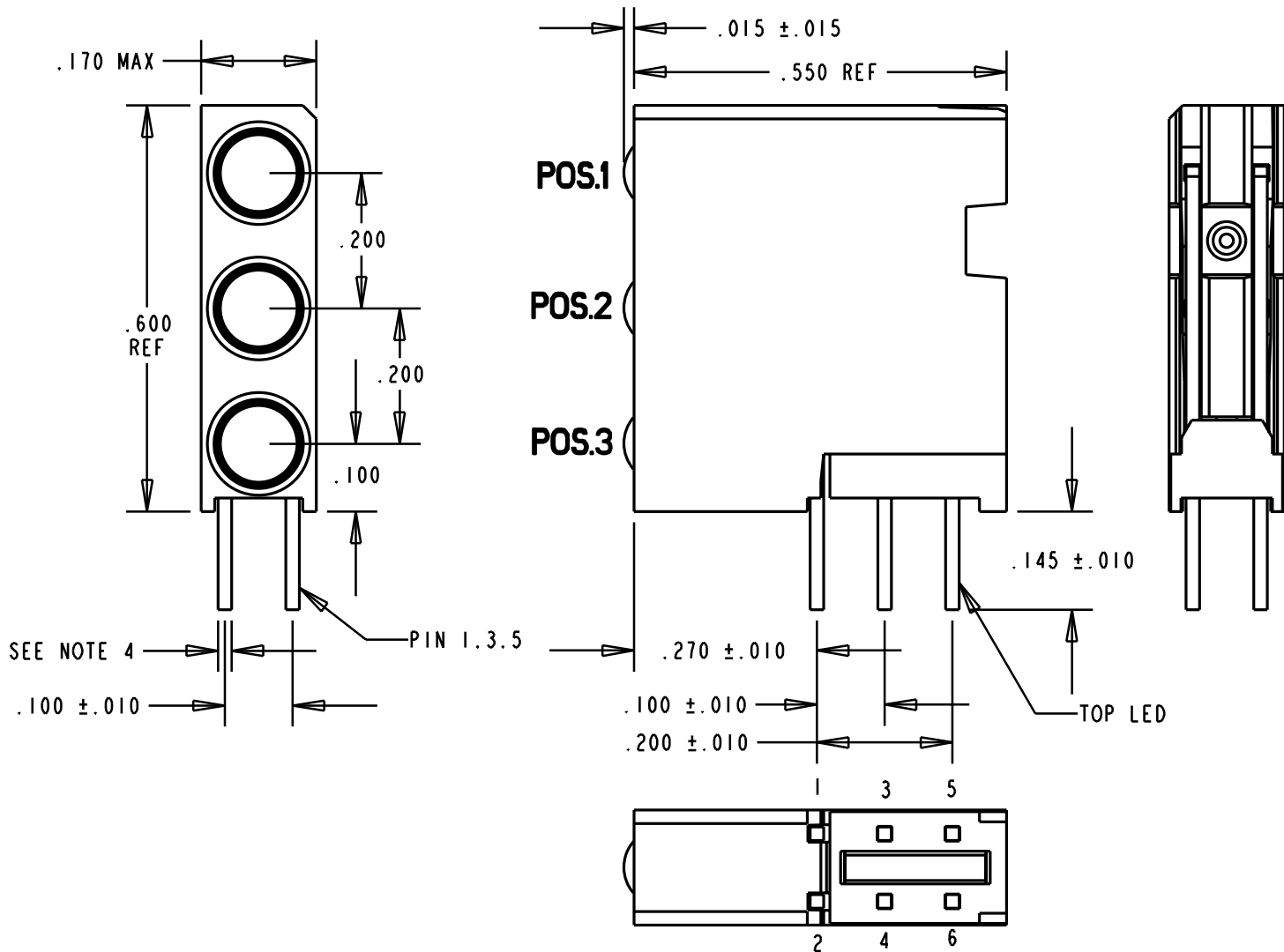
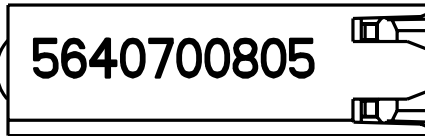


PART NUMBER	LED COLOR		
	POSITION 1	POSITION 2	POSITION 3
564-0700-805	GREEN	GREEN	YELLOW / GREEN

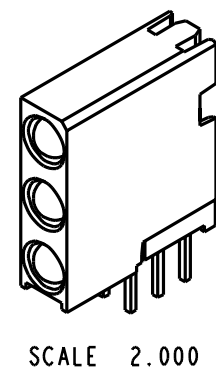
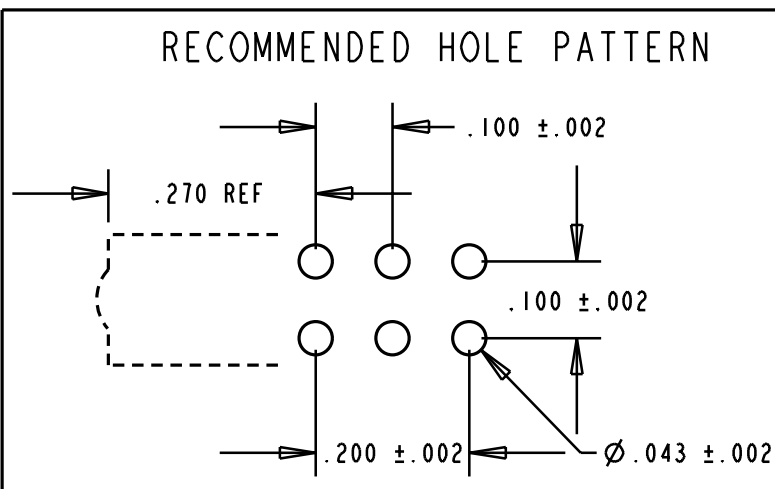


REV.	ECN NO.	REVISIONS	DRN.	CKD.	APP.	DATE
A		NEW RELEASE	TC	---	NO	5-9-96
B		CONVERT TO BOTTOM INSERT	TC	AV	NO	7-28-99
C		REMOVED 'DOT' MARKING UPDATE LED SPECS	AV			



LED COLOR = GREEN					
OPERATING CHARACTERISTICS AT 25°C AMBIENT					
CHARACTERISTICS	MIN	TYP	MAX	UNITS	TEST CONDITIONS
LUMINOUS INTENSITY	32	50		mcd	I _F = 10 mA
FORWARD VOLTAGE		2.1	2.8	V	I _F = 20 mA
REVERSE CURRENT			100	µA	V _R = 5 V
PEAK WAVELENGTH		565		nm	
VIEWING ANGLE		45		Degree	
CAPACITANCE		35		pf	V _F = 0, f = 1 MHz

LED COLOR = YELLOW / GREEN						
OPERATING CHARACTERISTICS AT 25°C AMBIENT						
CHARACTERISTICS	LED COLOR	MIN	TYP	MAX	UNITS	TEST CONDITIONS
LUMINOUS INTENSITY	YELLOW	2.5	4.3		mcd	I _F = 10 mA
	GREEN	2.5	6.3			
FORWARD VOLTAGE	YELLOW		2.1	2.8	V	I _F = 20 mA
	GREEN		2.1	2.8		
PEAK WAVELENGTH	YELLOW		585		nm	
	GREEN		565			
DOMINANT WAVELENGTH	YELLOW	583		589	nm	
	GREEN		569			
VIEWING ANGLE	ALL		80		Degree	
CAPACITANCE	YELLOW		15		pf	V _F = 0, f = 1 MHz
	GREEN		35			



NOTES:

- LEADS TO FIT INTO HOLES SPACED AS PER HOLE PATTERN
- LEADS TO BE FREE OF DEFORMATION AFTER BENDING AND CUTTING
- LED LEAD DIMENSIONS SHOWN ARE MEASURED AT HOUSING EXIT
- LED LEAD THICKNESS = .016 x .018 = ALL LED'S
- ** CAUTION ****
BI-COLOR LED HAS NON STANDARD POLARITY (GREEN CATHODE ON RIGHT SIDE)
SINGLE COLOR LED'S HAVE STANDARD POLARITY
- PACKAGING = BLOCKS PLACED IN AN ANTISTATIC BAG
- DIALIGHT PART NUMBER = 564-0700-805

THIS DRAWING AND THE CONTENTS HEREIN ARE CONFIDENTIAL AND THE SOLE PROPERTY OF DIALIGHT. REPRODUCTION OF THIS DRAWING OR CONSTRUCTION OF ANY PARTS WITHIN THIS DRAWING ARE FORBIDDEN WITHOUT THE WRITTEN CONSENT OF DIALIGHT.		
SCALE 4:1	DRAWING NUMBER	REV
ALL DIM'S IN: INCHES	C-16091	C
TOLERANCES: UNLESS OTHERWISE SPECIFIED	TITLE	
FRACTIONS: ±1/64	3x1 EXTENDED CBI BLOCK	
DECIMALS (.XX): ±.020	MATERIAL	
DECIMALS (.XXX): ±.015	Dialight	
DECIMALS (.XXXX): ±.010	1913 ATLANTIC AVE.	
ANGLES: ±3°	MANASQUAN, N.J. 08736	
FINISH:	SHEET	OF
FSCM 83330	FAMILY TABLE:	