

LUMAWISE LED Holders

TE Solderless LED Socket, Type LK

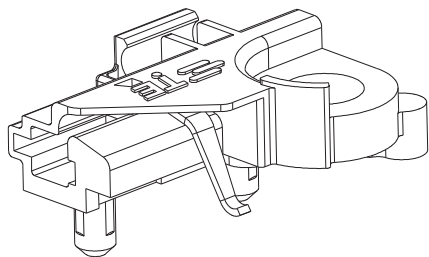
The TE Solderless LED Socket, type LK is a quick termination connector system for use with the Philips Lumileds LUXEON® K LED series. This socket allows the direct attachment of LEDs to a heat sink using a standard M3 screw. The TE Solderless LED Socket, type LK features a quick poke-in wire termination for 22AWG and 24 AWG wire. The connector design accommodates two wire routing options - straight or use of a wire dress hook. This low profile socket can be used for the all Philips Lumileds LUXEON® K models - 4, 8, 12, 16, and 24 up LEDs.

KEY FEATURES

- Universal socket for Philips Lumileds LUXEON® K LED series
- Driven current up to 1.5A at 75VDC
- Tool-less termination of 22 - 24 AWG solid wire
- Insertion feature to facilitate easy insertion of a stranded 22 - 24 AWG wire into the Solderless LED Socket
- Repeatable termination to the LED (5 times on LED)
- LED socket designed for 3mm creep and clearance (for non isolated applications)
- Locator posts on housing to aid in positioning connector on heat sink
- Wire snap feature for wire routing

APPLICATIONS

- Retrofit Bulbs
- Downlights



MECHANICAL

- -40 to 125° C operating temperature
- Length 14.3 mm x width 11.5 mm x height 4.5 mm (excluding screw)
- Applicable wire: 22 - 24AWG solid wire
- Mating cycles: 5 times on LED
- Accomodates 4, 8, 12, 16, 24 up LED sizes (2 or 4 per LED array)
- For use with M3 x 6mm (min) screw (not included)
- Strip length of the wires needs to be between 6-7 mm

ELECTRICAL

- Current rating: 1.5A max.
- Voltage rating: 75VDC max.
- Dielectric Withstand Voltage: 3kVDC
- UL, CSA and IEC approbation

MATERIALS

- Terminals: LED contact interface is gold over nickel plating
- Housing: UL94VO rated

PRODUCT OFFERING

- **2173470-1:** Solderless LED Socket, Type LK

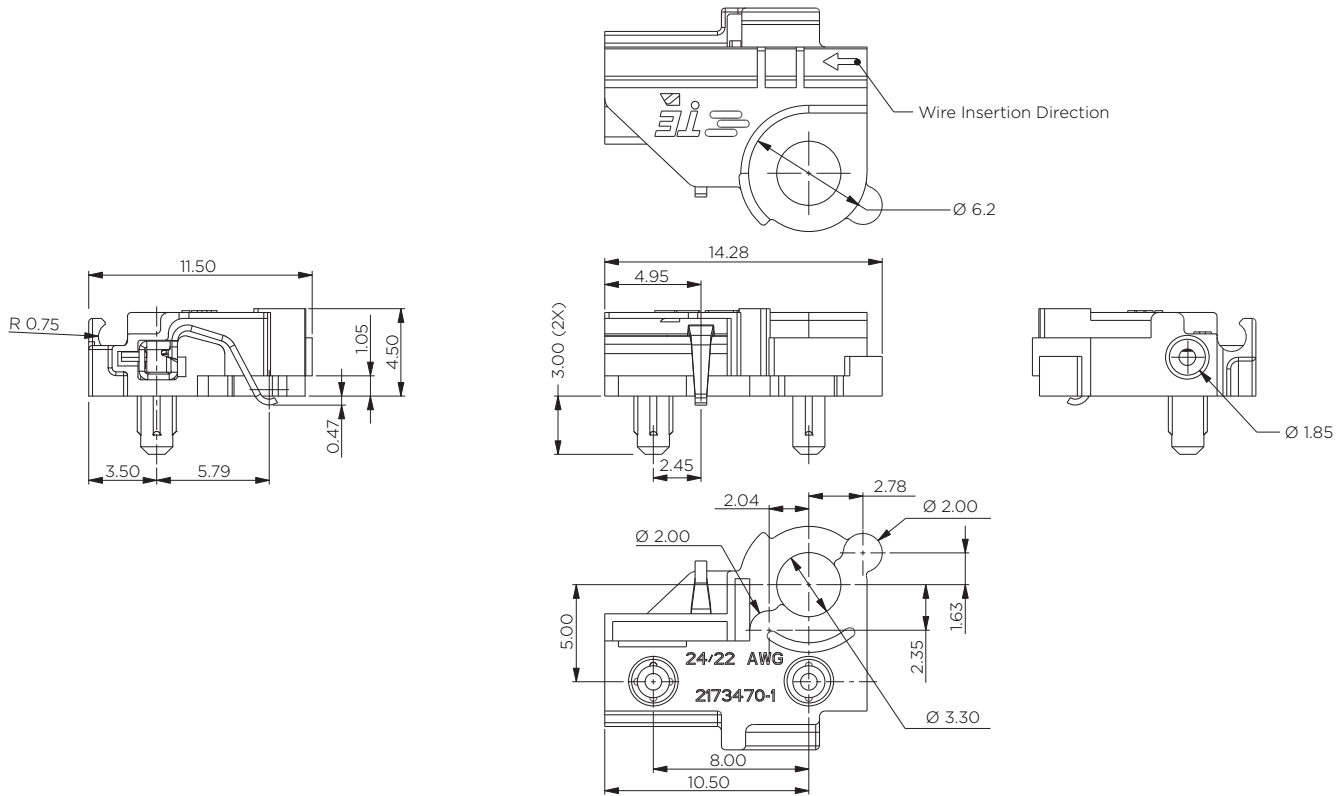
APPLICATIONS AND SPECIFICATIONS

- Application specification #: **114-32038**
- Product Specification #: **108-133004**
- Drawing #: **2173470**

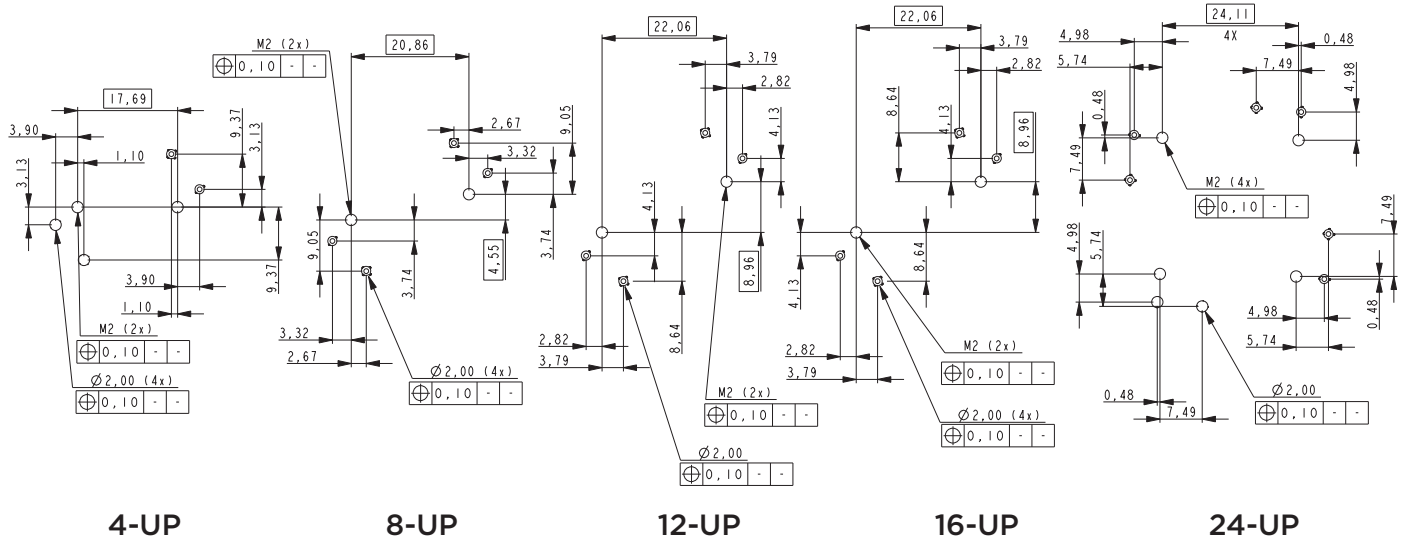


INTELLIGENT BUILDINGS

PRODUCT DIMENSIONS



RECOMMENDED DRILLING HOLE PATTERNS



Dimensions are shown for reference purposes only. Specifications subject to change. Customer drawing should be used for all design activity.



INTELLIGENT BUILDINGS