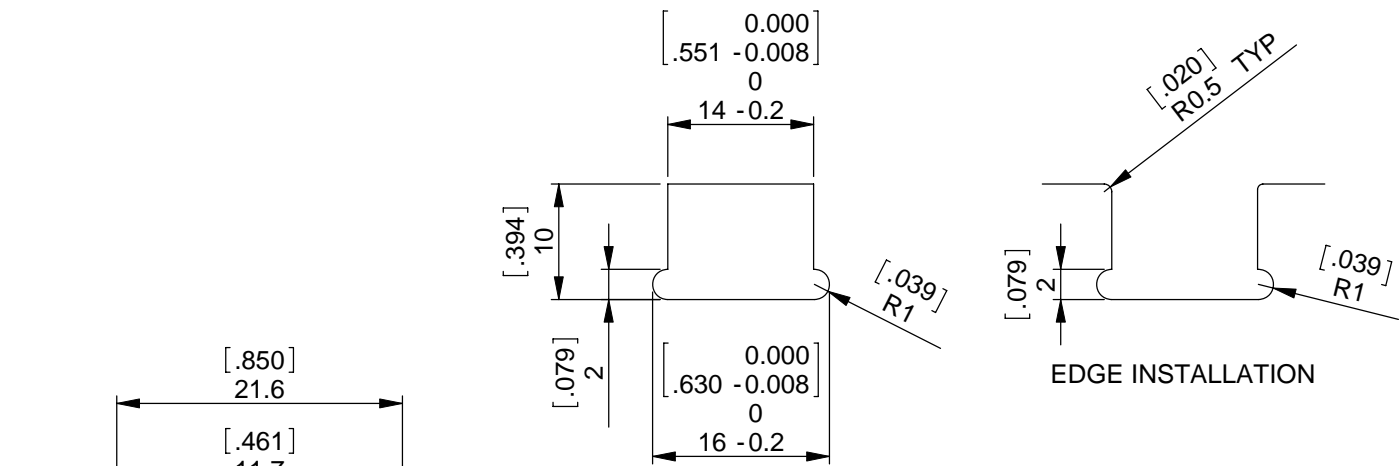


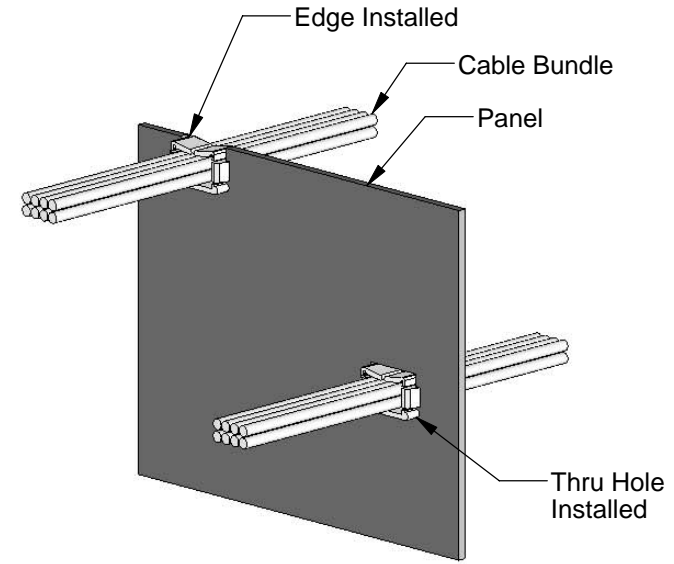
REV.	MODIFICATION.	DATE	DRN
A	NEW DRAWING	17/10/06	NJB
01	PRODUCTION RELEASE	15/01/07	NJB
02	CO2010665	01/06/09	SF



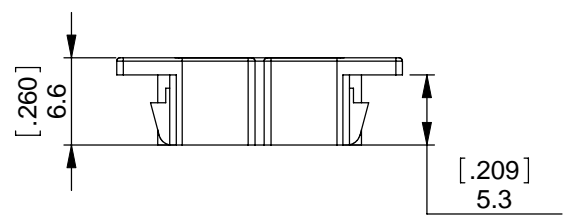
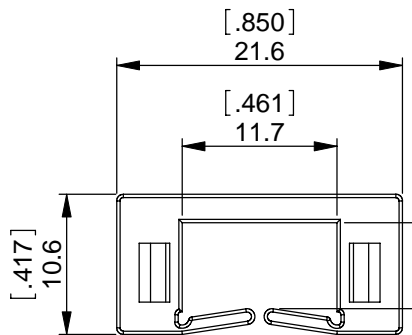
THRU HOLE INSTALLATION

EDGE INSTALLATION

**RECOMMENDED INSTALLATION**  
**PANEL THICKNESS RANGE: 0.8[.032] TO 2.0[.078]**



**APPLICATION DETAIL**



ALTERNATE UNITS FOR REFERNCE ONLY

PART NUMBER	MATERIAL	COLOUR
EWSJS-1-19	NYLON 6/6 FR UL94 V0 (RMS-19)	BLACK
EWSJS-1-01	NYLON 6/6 UL94 V2 (RMS-01)	NATURAL

INFORMATION CONTAINED IN THIS DOCUMENT IS CONFIDENTIAL TO RICHCO INTERNATIONAL Co. Ltd. AND MAY NOT BE DISCLOSED OR REPRODUCED IN WHOLE OR PART WITHOUT THEIR WRITTEN CONSENT.

**RICHCO, INC.**  
 WWW.RICHCO-INC.COM

GENERAL TOLERANCES ±0.25 [0.010] UNLESS OTHERWISE STATED  
 1 DECIMAL PLACE ±  
 2 DECIMAL PLACES ±  
 ANGULAR ±1°

THIRD ANGLE

MATERIAL: See Table		COLOUR: See Table	
DESCRIPTION: EDGE WIRE SADDLE		PART No: See Table	
DRG No: 07-005	NPR No: 2006-294	SHEET SIZE A4	
DRN NJB	DATE 17/10/06	CHKD TC	DATE 15/01/07
SCALE NTS	SHEET No 1 OF 1		