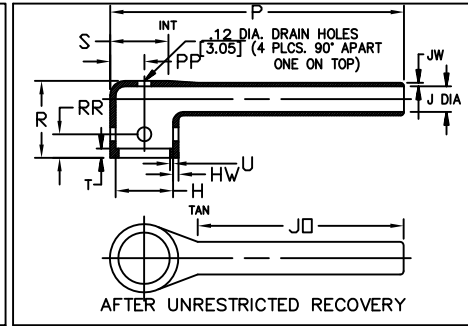
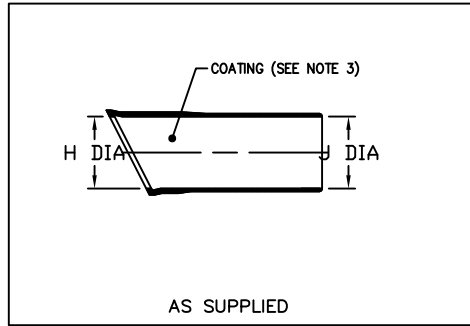


NOTES

- All dimensions are in $\frac{\text{inches}}{[\text{millimeters}]}$
- Dimensions appearing in table are as follows:
a - As Supplied
b - After Unrestricted Recovery
- Coating is optional. As supplied dimensions appearing in table are for uncoated parts. When coating is added, entry diameters will be reduced by .06 max.



DIMENSIONING AND TOLERANCING PER ASME Y14.5M (ISO STANDARDS)

REVISIONS

| LTR | DESCRIPTION | DATE |
|-----|---------------------------|------------|
| B | REVISED PER ECO-12-007619 | 04/20/2012 |

ORDERING INFORMATION

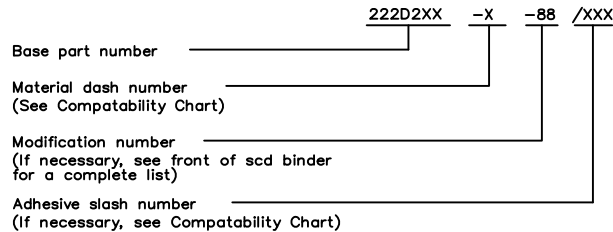


TABLE OF DIMENSIONS

| PART NUMBER | H | | J | | | P | R | S | T | U | JO | PP | RR | HW | JW | |
|--------------|----------------|----------------|----------------|-------------------------|---------------|-----------------|-----------------|----------------|---------------|----------------|-----------------|----------------|---------------|---------------|----------------|----------------|
| | Min | Max | Min | Min | Max | | | | | | | | | | | |
| | a | b | a | a | b | ±10% | Ref | Ref | Ref | Ref | ±10% | ±10% | ±10% | ±20% | ±20% | |
| | a | b | a | a | b | a | b | b | b | b | a | b | b | b | b | |
| 222D211-X-88 | .88 [22,4] | .45 [11,4] | .88 [22,4] | -3,-4, -25 [14,0] | .55 [6,4] | .25 [6,4] | 4.14 [105,2] | .73 [18,5] | .47 [11,9] | .12 [3,05] | .04 [1,02] | 3.45 [87,6] | .27 [6,9] | .47 [11,9] | .06 [1,52] | .045 [1,14] |
| 222D221-X-88 | 1.01 [25,7] | .59 [15,0] | 1.01 [25,7] | .63 [16,0] | .29 [7,4] | 4.88 [124,0] | .78 [19,8] | .60 [15,2] | .12 [3,05] | .04 [1,02] | 3.90 [99,1] | .35 [8,4] | .47 [11,9] | .06 [1,52] | .045 [1,14] | |
| 222D232-X-88 | 1.16 [29,5] | .74 [18,8] | 1.16 [29,5] | .72 [18,3] | .33 [8,4] | 5.76 [146,3] | .82 [20,8] | .75 [19,1] | .12 [3,05] | .04 [1,02] | 4.50 [114,3] | .41 [10,4] | .47 [11,9] | .07 [1,78] | .045 [1,14] | |
| 222D242-X-88 | 1.34 [34,0] | .90 [22,9] | 1.34 [34,0] | .84 [21,3] | .38 [9,7] | 6.78 [172,2] | .86 [21,8] | .90 [22,9] | .12 [3,05] | .04 [1,02] | 5.22 [132,6] | .48 [12,2] | .47 [11,9] | .07 [1,78] | .045 [1,14] | |
| 222D253-X-88 | 1.47 [37,3] | 1.16 [29,5] | 1.47 [37,3] | .91 [23,1] | .41 [10,4] | 7.29 [185,2] | .96 [24,4] | 1.15 [29,2] | .12 [3,05] | .065 [1,65] | 5.66 [143,8] | .61 [15,5] | .47 [11,9] | .08 [2,03] | .045 [1,14] | |
| 222D263-X-88 | 1.72 [43,7] | 1.34 [34,0] | 1.72 [43,7] | 1.07 [27,2] | .48 [12,2] | 8.41 [213,6] | 1.08 [27,4] | 1.32 [33,5] | .12 [3,05] | .065 [1,65] | 6.66 [169,2] | .72 [18,3] | .47 [11,9] | .08 [2,03] | .045 [1,14] | |
| 222D274-X-88 | 1.97 [50,0] | 1.62 [41,1] | 1.97 [50,0] | 1.24 [31,5] | .56 [14,2] | 8.84 [224,5] | 1.16 [29,5] | 1.59 [40,4] | .12 [3,05] | .065 [1,65] | 6.82 [173,2] | .83 [21,1] | .47 [11,9] | .09 [2,29] | .055 [1,40] | |
| 222D285-X-88 | 2.47 [62,7] | 1.85 [47,0] | 2.47 [62,7] | 1.54 [39,1] | .69 [17,5] | 8.95 [227,3] | 1.31 [33,3] | 1.81 [46,0] | .12 [3,05] | .08 [2,03] | 6.62 [168,1] | .95 [24,1] | .63 [16,0] | .10 [2,54] | .055 [1,40] | |
| 222D296-X-88 | 2.73 [69,3] | 2.35 [59,7] | 2.73 [69,3] | 1.70 [43,2] | .77 [19,6] | 9.19 [233,4] | 1.38 [35,1] | 2.28 [57,9] | .12 [3,05] | .08 [2,03] | 6.19 [157,2] | 1.18 [30,0] | .63 [16,0] | .10 [2,54] | .055 [1,40] | |
| 222D299-X-88 | 3.22 [81,8] | 2.64 [67,1] | 3.22 [81,8] | 2.01 [51,1] | .90 [22,9] | 9.33 [237,0] | 1.75 [44,5] | 2.55 [64,8] | .12 [3,05] | .08 [2,03] | 5.95 [151,1] | 1.31 [33,3] | .63 [16,0] | .10 [2,54] | .055 [1,40] | |

If this document is printed it becomes uncontrolled. Check for the latest revision

Raychem Molded Parts

CUSTOMER DRAWING

| MATERIAL DASH NO. | MATERIAL DESCRIPTION | RT SPEC | COATING SLASH NO. | COATING S. NO. | COATING DESCRIPTION |
|-------------------|--------------------------------------|---------|-------------------|----------------------|---------------------|
| -3 | Polyolefin, Semi-rigid | RT-301 | /42;/86;/180 | S-1017;S-1048;S-1030 | Adhesive |
| -4 | Polyolefin, Flexible | RT-1304 | /42;/86;/180 | S-1017;S-1048;S-1030 | Adhesive |
| -5 | Elastomer, Flexible | RT-501 | N/A | | |
| -6 | Silicone | RT-602 | N/A | | |
| -8 | Polyolefin, Space | RT-1308 | N/A | | |
| -12 | *VITON, Flexible | RT-1312 | N/A | | |
| -25 | Elastomer, Fluid Resistant | RT-1325 | /42;/86 | S-1017;S-1048 | Adhesive |
| -100 | Polyolefin, Semi-flexible ZEROHAL | RT-1323 | /184 | S-1030 | Adhesive |

*VITON is a Registered Trademark of Dupont

THIS DRAWING AND THE INFORMATION SET FORTH HEREON ARE THE PROPERTY OF TYCO ELECTRONICS CORPORATION, AND ARE TO BE HELD IN TRUST AND CONFIDENCE. PUBLICATION, DUPLICATION, DISCLOSURE OR USE FOR ANY PURPOSE NOT EXPRESSLY AUTHORIZED IN WRITING BY TYCO ELECTRONICS CORPORATION IS PROHIBITED.

| | | | |
|---|----------------------------------|----------------------------------|--------------------------|
| UNLESS OTHERWISE SPECIFIED DIMENSIONS ARE METRIC AND INCHES ARE IN BRACKETS. DECIMAL TOLERANCES XXX ± 0.13 (.005) XX ± 0.25 (.01) X ± 0.50 (.10) ANGLE TOLERANCE .X ± 1 DEG. | DRAWN M Mazariegos 4/10/12 | APPROVED D.Hurrell 4/17/11 | TE Connectivity |
| | RPN | TITLE BOOT, 90°, WITH LIPS | |
| CAD FILE: 222D2XX-X-88_CD | THIRD ANGLE PROJECTION | SIZE B | CODE IDENT. NO. 06090 |
| TYCO ELECTRONICS RESERVES THE RIGHT TO AMEND THIS DRAWING AT ANY TIME. USERS SHOULD EVALUATE THE SUITABILITY OF THE PRODUCT FOR THEIR APPLICATION. © 2012 Tyco Electronics Corporation. All rights reserved. | DWG. NO. 222D2XX-X-88 | SHEET 1 OF 1 | |