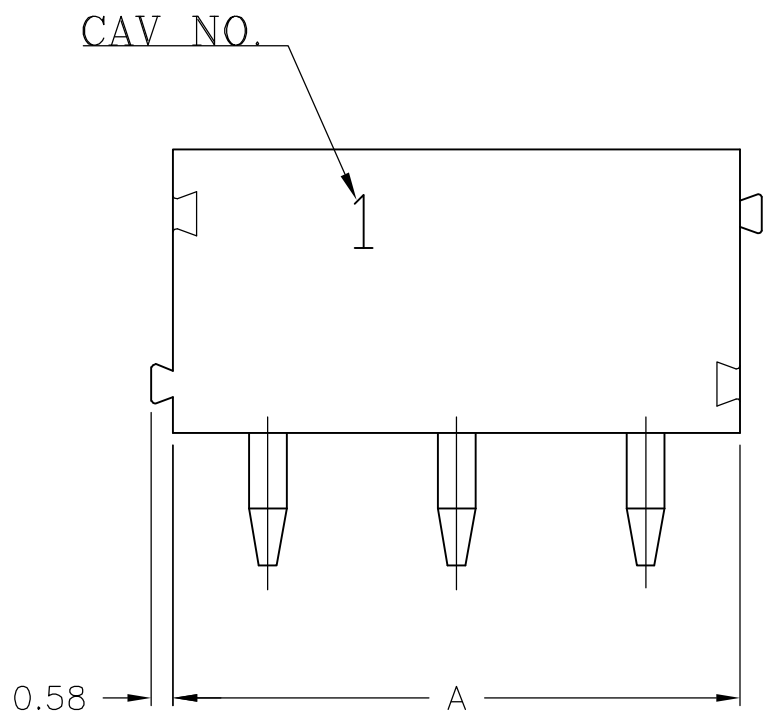
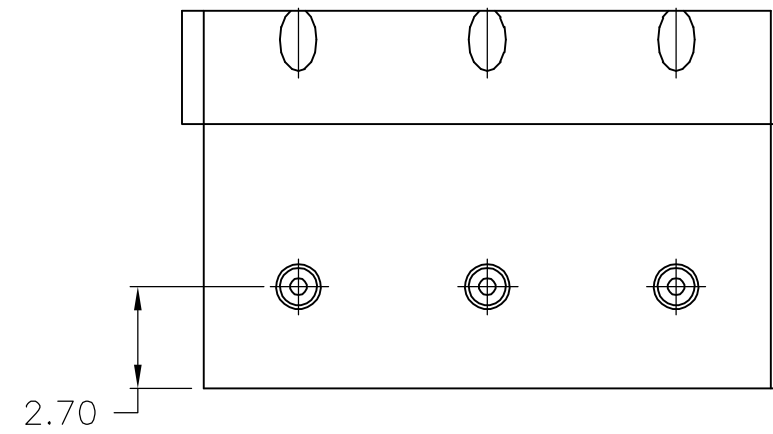
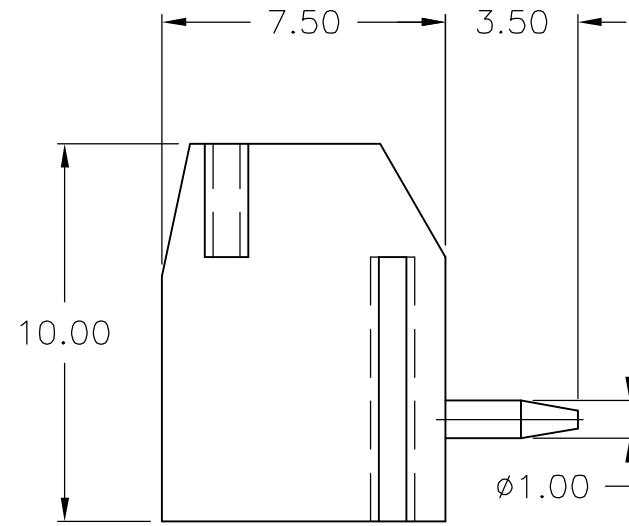
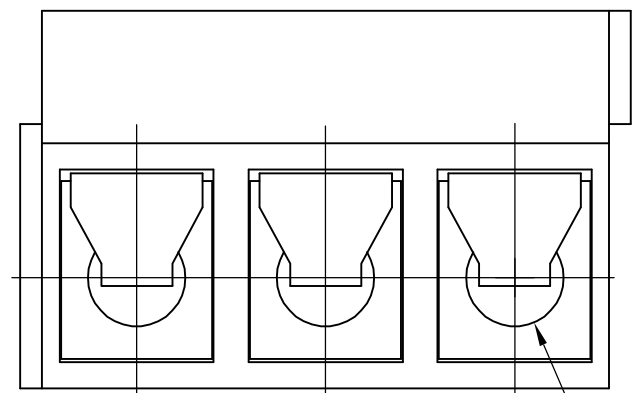
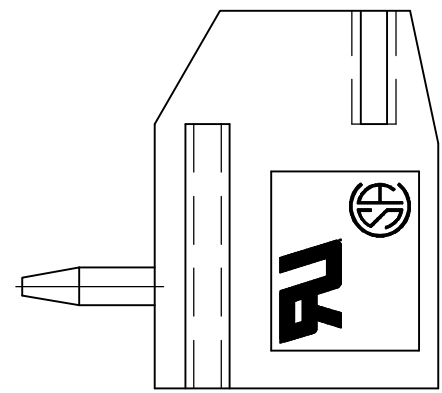
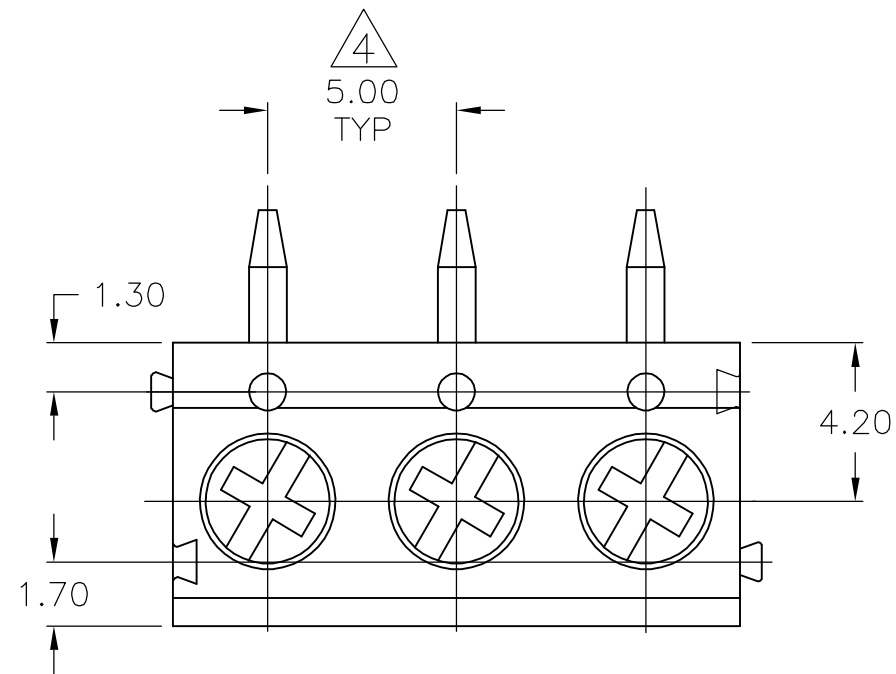


THIS DRAWING IS UNPUBLISHED. RELEASED FOR PUBLICATION
 © COPYRIGHT BY TYCO ELECTRONICS CORPORATION. ALL RIGHTS RESERVED.

Loc		DIST		REVISIONS			
P	LTR	DESCRIPTION		DATE	DWN	APVD	
01		REVISED PER ECO-06-16790		7/13/06	SS	CR	

1. ALL DIMENSIONS ARE IN mm'S.
 2. RECOMMENDED PCB HOLES DIAMETER: $\phi 1.20\text{mm}$ TO $\phi 1.40$.
 3. BUCHANAN LOGO TO APPEAR ON HOUSING LOCATION OPTIONAL WHERE SPACE PERMITS.
- \triangle NON CUMULATIVE



1776267-3 AS SHOWN

120.00	24	2-1776267-4
115.00	23	2-1776267-3
110.00	22	2-1776267-2
105.00	21	2-1776267-1
100.00	20	2-1776267-0
95.00	19	1-1776267-9
90.00	18	1-1776267-8
85.00	17	1-1776267-7
80.00	16	1-1776267-6
75.00	15	1-1776267-5
70.00	14	1-1776267-4
65.00	13	1-1776267-3
60.00	12	1-1776267-2
55.00	11	1-1776267-1
50.00	10	1-1776267-0
45.00	9	1776267-9
40.00	8	1776267-8
35.00	7	1776267-7
30.00	6	1776267-6
25.00	5	1776267-5
20.00	4	1776267-4
15.00	3	1776267-3
10.00	2	1776267-2
DIM. A	NO. OF POS.	PART NUMBER

THIS DRAWING IS A CONTROLLED DOCUMENT.		DWN	S SCHLEGEL	5/6/05	Tyco Electronics Corporation Harrisburg, Pa 17105-3608
DIMENSIONS: mm		CHK	C RICHARD	5/6/05	
TOLERANCES UNLESS OTHERWISE SPECIFIED:		APVD	C RICHARD	5/6/05	
0 PLC ± - 1 PLC ± 0.3 2 PLC ± 0.25 3 PLC ± - 4 PLC ± - ANGLES ± - FINISH -		PRODUCT SPEC	-	NAME	
MATERIAL	-	WEIGHT	-	SIZE	A2
CUSTOMER DRAWING		SCALE	4:1	SHEET	1 OF 2
		REV	01		

THIS DRAWING IS UNPUBLISHED. RELEASED FOR PUBLICATION
 © COPYRIGHT BY TYCO ELECTRONICS CORPORATION. ALL RIGHTS RESERVED.

LOC	DIST	REVISIONS			
P	LTR	DESCRIPTION	DATE	DWN	APVD
FT	0	SEE SHEET 1	-	-	-

1. Application and Features:

- 1-1. Standard sizes are 2 and 3 way-blocks, but every number of contact can be combined, by simply plugging them together and can be ordered as required**
- 1-2. With wire guard for wire protection (for that the screw doesn't press directly on the wire)

2-3. Mechanical:

- 2-3-1. Torque: 4 Kg.cm (Max).
- 2-3-2. Operating temperature: -55°C to +105°C.
- 2-3-3. Solderability: 95% coverage (min).


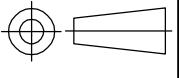
2. Technical Data:

2-1. Material:

- 2-1-1. HOUSING: NYLON 6.6, UL 94 V-0 (Green).
- 2-1-2. Metal Housing: Brass(Cu Zn)
Cu,Tin plated.
- 2-1-3. Wire guard: Stainless steel.
- 2-1-4. Screw: Steel galvanized and chromitized, M2.6

2-2. Electrical:

- 2-2-1. Current rating: 10 Amps/way max.
- 2-2-2. Contact resistance: 20mΩ (Max).
- 2-2-3. Insulation resistance: 5000MΩ /1000V.
- 2-2-4. Withstanding Voltage: 1500VAC (1min).
test time =60sec/1pcs
- 2-2-5. Operation Voltage: 300 VAC.
- 2-2-6. Wire Range: 14-22 AWG.

THIS DRAWING IS A CONTROLLED DOCUMENT.		DWN	S SCHLEGEL	5/6/05	 Tyco Electronics Corporation Harrisburg, Pa 17105-3608
DIMENSIONS: mm		CHK	C RICHARD	5/6/05	
		APVD	C RICHARD	5/6/05	
TOLERANCES UNLESS OTHERWISE SPECIFIED: 0 PLC ± - 1 PLC ± 0.3 2 PLC ± 0.25 3 PLC ± - 4 PLC ± - ANGLES ± - FINISH -		PRODUCT SPEC	NAME		
MATERIAL	-	WEIGHT	-	SIZE	A2
CUSTOMER DRAWING		SCALE	4:1	CAGE CODE	00779
		DRAWING NO	C=1776267		RESTRICTED TO
		SHEET	2	OF	2
		REV	01		

1776267