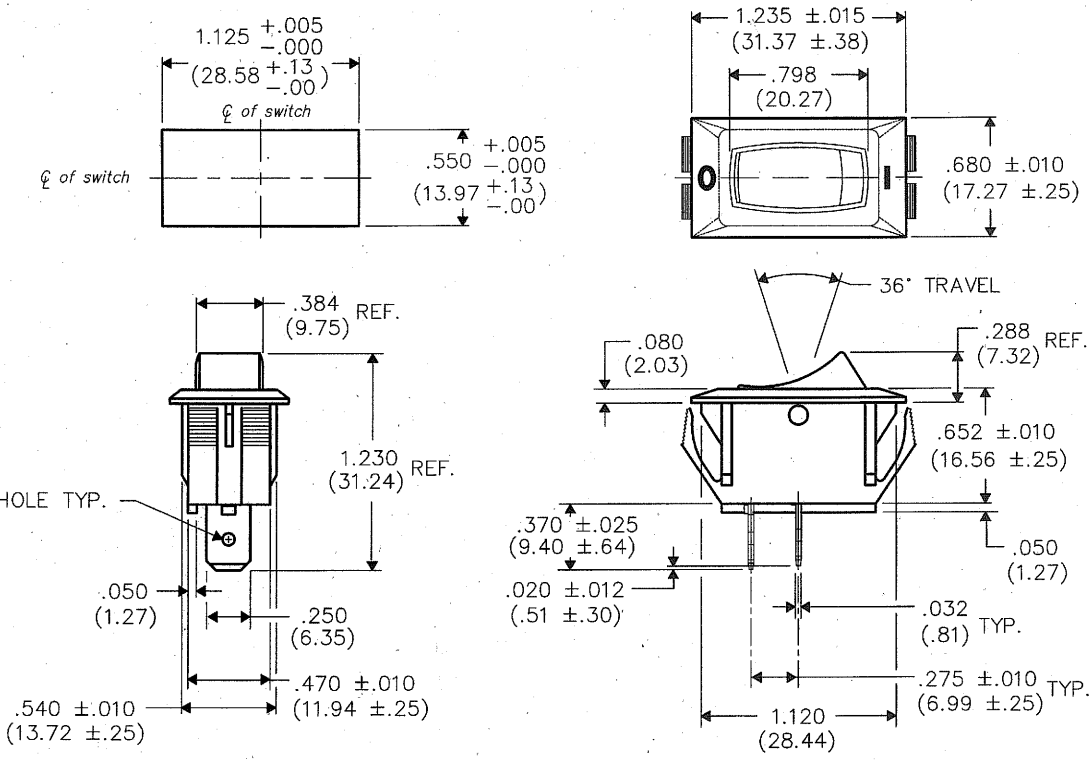


E
D
C
B
A

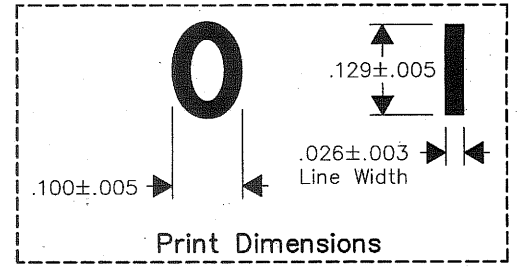
THIS INFORMATION IS CONFIDENTIAL AND PROPRIETARY TO CW INDUSTRIES INCORPORATED AND ITS AFFILIATES. IT MAY NOT BE DISCLOSED TO ANYONE OTHER THAN CW INDUSTRIES PERSONNEL, WITHOUT WRITTEN AUTHORIZATION FROM CW INDUSTRIES INCORPORATED, SOUTHAMPTON, PENNSYLVANIA USA.

DIMENSIONS IN INCHES (MILLIMETERS)
DO NOT SCALE DRAWING
Dwg. No. GRS-2011-2128

PANEL PIERCING



Button Color= Black
 Housing Color= Black
 Printing Color= White



B-FORMAT 2002	REVISIONS	0	2	3	4	5	6	7	8	9	10
		RELEASED DCW 3-01-2011 CP-311 MAR 01 2011									

PDF FILE MADE	CW INDUSTRIES Southampton, Pa. 18966	Title: S.P.S.T. ROCKER SWITCH ASSEMBLY NON-POLARIZED 1.125" x .550" PANEL
	TOLERANCES UNLESS OTHERWISE SPECIFIED: 2 Place Decimal $\pm .010$ METRIC 3 Place Decimal $\pm .005$ 1 Place Dec. $\pm .25$ mm Angles $\pm 1^\circ$ 2 Place Dec. $\pm .13$ mm	Division: SWITCH
	Made for: CW IND.	Dwg. No. GRS-2011-2128
	Drawn by: DGW 3-01-2011 Checked by: G. Gold 3-1-11 Approval: J. Herman 3/1/11	

MASTER