



WIH-AT-FA

PROJECT INFORMATION

Project Name _____

Catalog No. _____

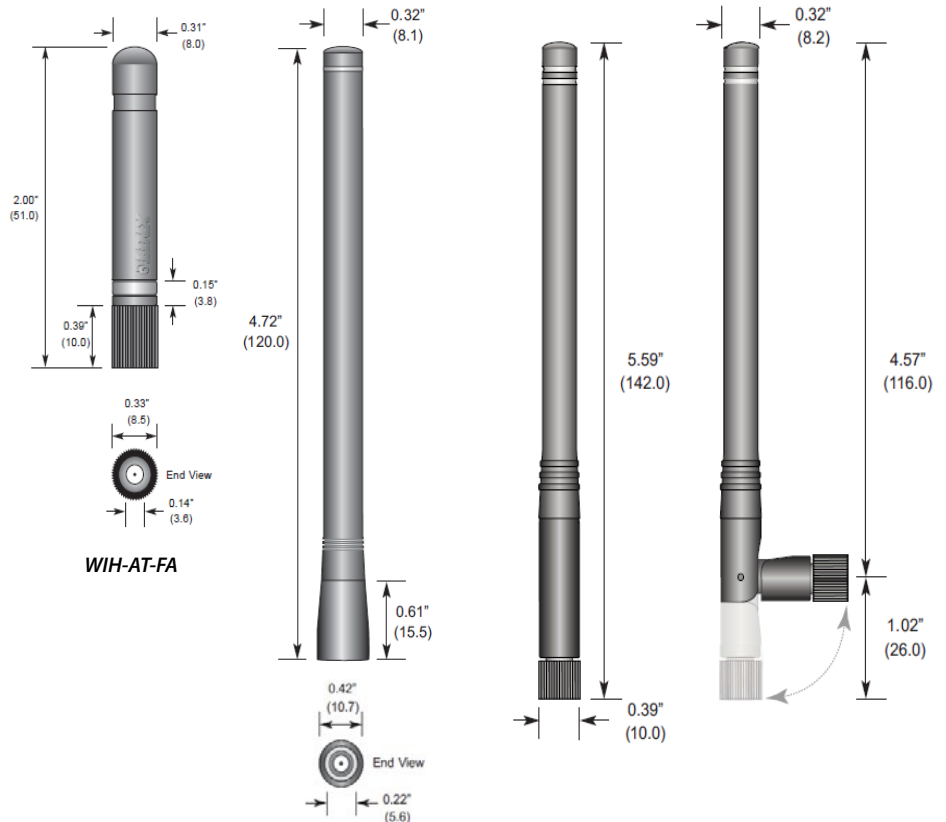
Date _____

Hubbell Controls' *wiHUBB* Antennas are designed to be used with the *wiHUBB* In-Fixture Module and *wiHUBB* Smart Pack. The *wiHUBB* Articulating Antenna and the *wiHUBB* Fixed Antenna-HW are 1/2-wave center-fed dipole antennas. The Articulating Antenna's base allows the antenna to tilt 90 degrees and rotate 360 degrees.

The Articulating Antenna and Fixed Antenna-HW's internal counterpoise eliminates external ground plane dependence and maximizes performance. The *wiHUBB* Fixed Antenna is a 1/4-wave center-fed monopole antenna that utilizes a helical element to greatly reduce the physical length of the antenna housing.

PRODUCT FEATURES

- Multiple antenna options available
- Excellent performance
- Omni-directional pattern
- Fully weatherized
- Rugged and damage-resistant
- Five-year limited warranty



WIH-AT-FA-HW

WIH-AT-AA

General Specifications

Antenna Type	Dipole – No ground plane required: WIH-AT-AA, WIH-AT-FA-HW Monopole – Requires an external proximity ground plane for proper operation: WIH-AT-FA. NOTE: 4"x4" ground plane centered around the antenna base recommended.
Center Frequency	916MHz
Wavelength	½-wave: WIH-AT-AA, WIH-AT-FA-HW ¼-wave: WIH-AT-FA
Voltage Standing Wave Ratio (VSWR)	<2.0 typical at center: WIH-AT-AA <1.9 typical at center: WIH-AT-FA-HW, WIH-AT-FA
Impedance	50 ohms
Connector	RP-SMA
Size	WIH-AT-AA: 5.59"H x 0.32"W with 90° tilt and 360° rotation WIH-AT-FA: 2.00"H x 0.31"W WIH-AT-FA-HW: 4.72"H x 0.32"W
Color	Black
Warranty	Five-year limited

Ordering Information

Antennas

WIH-AT	
MODEL	
WIH-AT	
AA	Articulating Antenna, Dipole – No Ground Plane Required, 5.59" H with 90° Bend
FA	Fixed Antenna, Monopole – Requires Ground Plane, 2.00" H, with 24" cable & mounting hardware
FA-36	Fixed Antenna, Monopole – Requires Ground Plane, 2.00" H, with 36" cable & mounting hardware
FA-48	Fixed Antenna, Monopole – Requires Ground Plane, 2.00" H, with 48" cable & mounting hardware
FA-HW	Fixed Antenna, Dipole – No Ground Plane Required, 4.72" H

Antenna Cables

WIH-AT	
MODEL	
WIH-AT	
TYPE	
CAB24IN	Antenna Cable, 24" cable (Includes mounting hardware)
CAB36IN	Antenna Cable, 36" cable (Includes mounting hardware)
CAB48IN	Antenna Cable, 48" cable (Includes mounting hardware)



HUBBELL
Control Solutions