

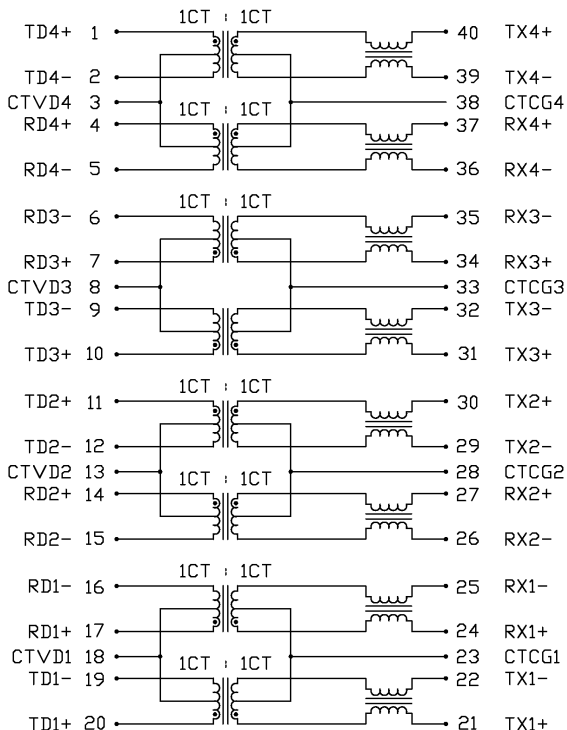
THE INFORMATION CONTAINED HEREIN IS CONSIDERED "PROPRIETARY" TO BEL FUSE INC. AND SHALL NOT BE COPIED, REPRODUCED OR DISCLOSED WITHOUT THE WRITTEN APPROVAL OF BEL FUSE INC.

RoHS  
2002/95/EC



**SCHEMATIC**

**ELECTRICAL CHARACTERISTICS @ 25°C**



URNS RATIO

$$T_x = R_x$$

1CT : 1CT

POLARITY :

4°&37°, 7°&34°, 14°&27°, 17°&24°  
1°&40°, 10°&31°, 11°&30°, 20°&21°

IN PHASE

CL

@-40° TO +80°C

350μH MIN. @ 100kHz, 100mV  
WITH 8mA D.C. BIAS

INSERTION LOSS

1.0 dB MAX. @ 1MHz TO 80MHz

RETURN LOSS

MEASURED UNDER A  
100 Ω ENVIRONMENT

18 dB MIN. @ 0.1MHz - 30MHz  
18-20 LOG(f/30MHz) dB MIN. @ 30MHz - 60MHz  
12 dB MIN. @ 60MHz - 80MHz

COMMON TO DIFFERENTIAL  
MODE REJECTION

40 dB MIN. @ 0.1MHz TO 100MHz

COMMON TO COMMON  
MODE REJECTION

35 dB MIN. @ 0.1MHz TO 100MHz  
20 dB MIN. @ 100MHz TO 500MHz

CROSSTALK

32 dB MIN. @ 0.1MHz TO 100MHz

HIPOT

PER HAND-WORK-03

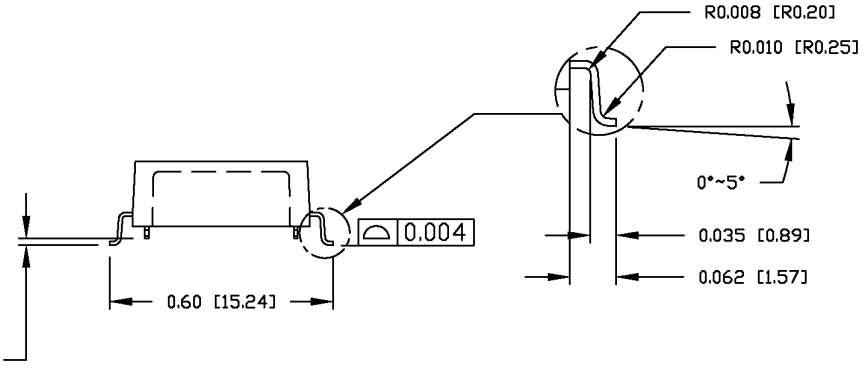
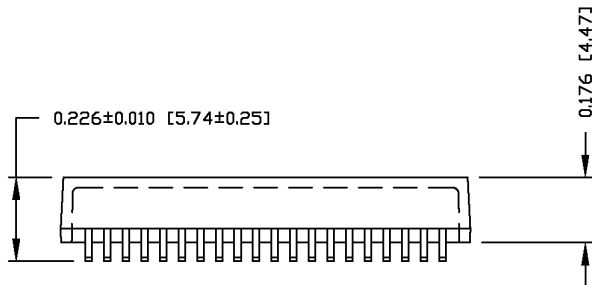
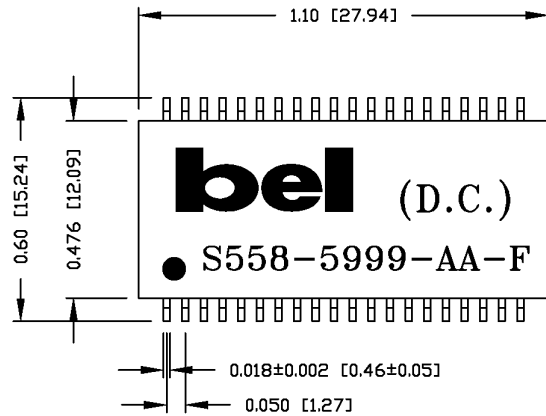
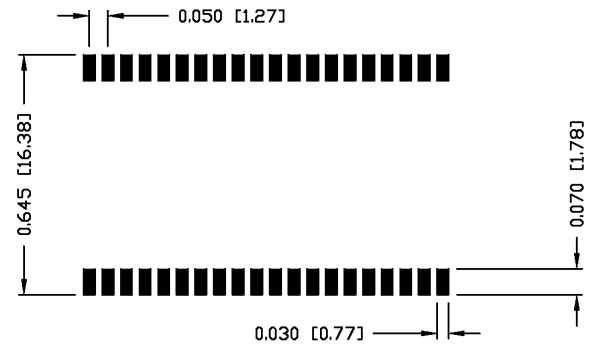
ORIGINATED BY	DATE	TITLE	PART NO. / DRAWING NO.	STANDARD DIM.	[ ] METRIC DIM. AS REFERENCE
HO	12-12-05	10/100BT MAGNETICS MODULE	X5585999AA-F	TOL. IN INCH	UNIT : INCH [mm]
DRAWN BY	DATE		FILE NAME	.X	SCALE : N/A
DQ Chen	12-12-05	S558-5999-AA-F	X5585999AAF.A.DWG	.XX	SIZE : A4
				.XXX	PAGE : 2



THE INFORMATION CONTAINED HEREIN IS CONSIDERED "PROPRIETARY" TO BEL FUSE INC. AND SHALL NOT BE COPIED, REPRODUCED OR DISCLOSED WITHOUT THE WRITTEN APPROVAL OF BEL FUSE INC.



SUGGESTED PCB PAD LAYOUT



NOTES:

- STANDARD MARKING REFER TO DOC. HAND-WORK-04.
- PACKAGE CODE: "RRS001".

ORIGINATED BY	DATE	TITLE	PART NO. / DRAWING NO.	STANDARD DIM. TOL. IN INCH	[ ] METRIC DIM. AS REFERENCE	<p>COMPONENTS FOR A CONNECTED PLANET</p>	
HQ	12-12-05	MECHANICAL DRAWING S558-5999-AA-F	X5585999AA-F	.X	UNIT : INCH [mm]		REV. : A
DRAWN BY	DATE		FILE NAME	.XX ±0.01	SCALE : N/A		SIZE : A4
DQ Chen	12-12-05	X5585999AAFA.DWG	.XXX ±0.005	⊕	PAGE : 3		