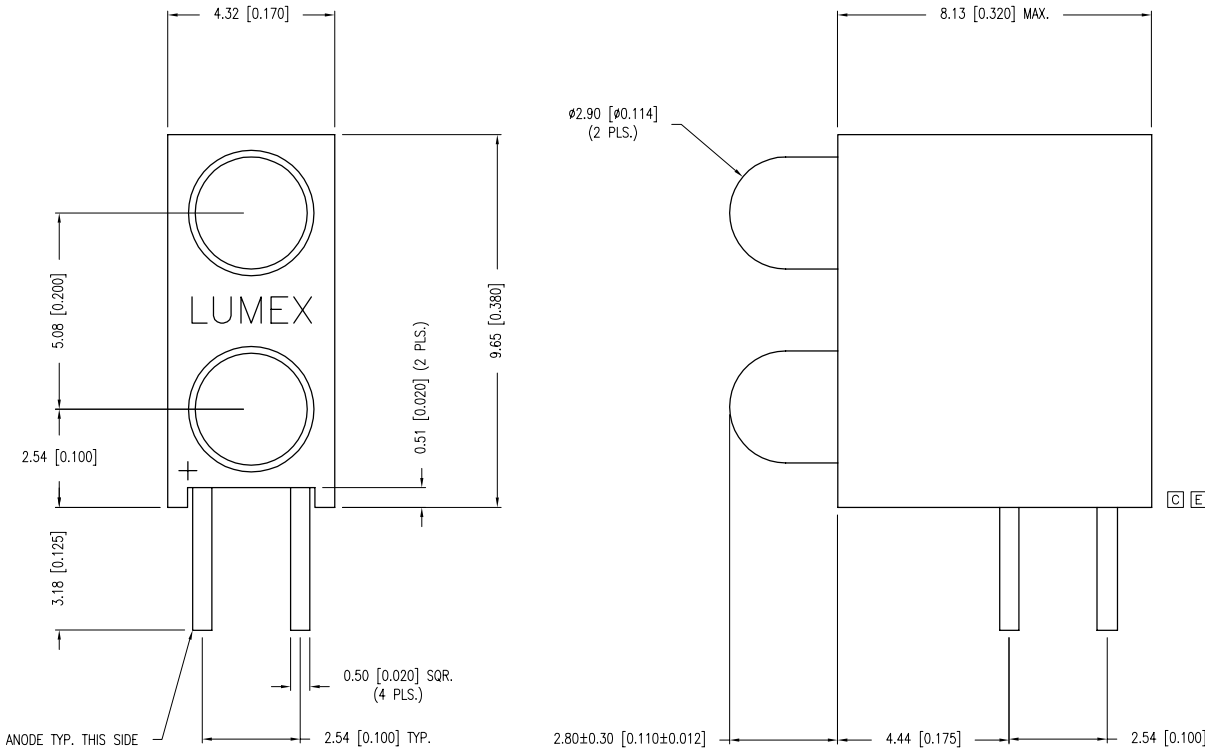


PART NUMBER	SSF-LXH240GYD	REV.	H
DATE	E.C.N. NUMBER AND REVISION COMMENTS		REV.
08.09.93	CHG'D LEAD LENGTHS.		A
08.27.93	CHG'D LEAD LENGTHS.		B
08.19.94	CHG'D HOLDER BOTTOM & SAFE OP. SPECS.		C
11.29.94	UPDATED SPECS.		D
02.06.95	CHG'D HOLDER BOTTOM		E
10.09.95	E.C.N. #10100.		F
02.12.96	E.C.N. #10104.		G
06.14.11	E.C.N. #10BRDR & REDRAWN/#11729.		H



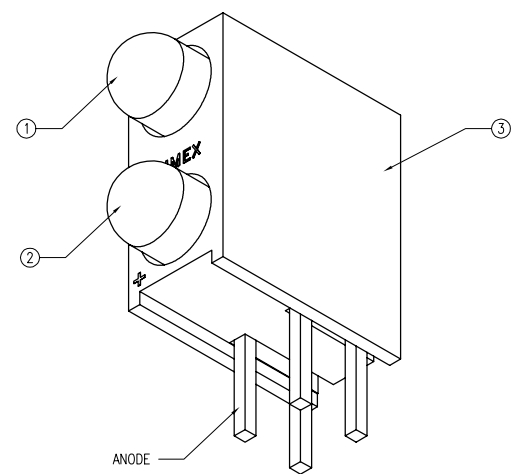
ELECTRO-OPTICAL CHARACTERISTICS  $T_A=25^\circ\text{C}$   $I_f=20\text{mA}$

PARAMETER	MIN	TYP	MAX	UNITS	TEST COND
PEAK WAVELENGTH (G/Y)		565/590		nm	
FORWARD VOLTAGE (G/Y)		2.2/2.1	2.5	$V_f$	
REVERSE VOLTAGE	5.0			$V_r$	$I_f=100\mu\text{A}$
AXIAL INTENSITY (G/Y)		30/15		mcd	$I_f=10\text{mA}$
VIEWING ANGLE		40		$2x$ theta	
EMITTED COLOR:	GREEN/YELLOW				
EPOXY LENS FINISH:	COLOR DIFFUSED				

ⓓ ⓐ LIMITS OF SAFE OPERATION AT 25°C

PARAMETER	MAX	UNITS
PEAK FORWARD CURRENT*	140	mA
STEADY CURRENT (G/Y)	25/30	mA
POWER DISSIPATION	62.5/75	mW
DERATE FROM 25°C	-1.6	mW/°C
OPERATING TEMP.	-40 TO +85	°C
STORAGE TEMP.	-40 TO +85	°C
SOLDERING TEMP.	+260	°C
2.0mm FROM BODY		3 SEC. MAX

\*  $t < 10\mu\text{s}$



- BILL OF MATERIALS:
- SSL-LX3044GD LED.
  - SSL-LX3044YD LED.
  - SSH-LXH240 HOLDER. MATERIAL: BLACK NYLON 94V-0.

\*UNLESS OTHERWISE SPECIFIED TOLERANCES PER DECIMAL PRECISION ARE: X=±1 (±0.039), X.X=±0.5 (±0.020), X.XX=±0.25 (±0.010), X.XXX=±0.127 (±0.005). LEAD SIZE=±0.05 (±0.002), LEAD LENGTH=±0.75 (±0.030). MIN= <sup>+DECIMAL PRECISION</sup> <sub>-0.00</sub> MAX.= <sup>+0.00</sup> <sub>-DECIMAL PRECISION</sub> UNCONTROLLED DOCUMENT

**LUMEX**  
 Creating LED and LCD Solutions Together™  
 290 E. HELEN ROAD  
 PALATINE, IL 60067-6976  
 PHONE: +1.847.359.2790  
 FAX: +1.847.359.6538  
 WEB: WWW.LUMEX.COM

T-3mm LED, RIGHT ANGLE FAULT INDICATOR, GREEN/YELLOW DIFFUSED.  
 \*\*THE SPECIFICATIONS MAY CHANGE AT ANY TIME WITHOUT NOTICE DUE TO NEW MATERIALS OR PRODUCT IMPROVEMENT.\*\*  
 CONFIDENTIAL INFORMATION  
 THE INFORMATION CONTAINED IN THIS DOCUMENT IS THE PROPERTY OF LUMEX INC. EXCEPT AS SPECIFICALLY AUTHORIZED IN WRITING BY LUMEX INC., THE HOLDER OF THIS DOCUMENT SHALL KEEP ALL INFORMATION CONTAINED HEREIN CONFIDENTIAL AND SHALL PROTECT SAME IN WHOLE OR IN PART FROM DISCLOSURE AND DISSEMINATION TO ALL THIRD PARTIES.

DATE: 06.14.11	DRAWN BY: AB
PAGE: 1 OF 1	CHKD BY: KF
SCALE: NTS	APRVD BY: BC
UNIT: mm [INCH]	Ⓟ