



PRODUCT DATASHEET

Leila series

last update 3/11/2016

DETAILS

Product Number	FCN11103_LE1-O-90
Family	Leila
Type	Pack
Color	white
Diameter	21,6 mm
Height	15,1 mm
Style	round
Optic Material	PMMA
Holder Material	
Fastening	glue
Status	production ready
ROHS Compliant	Yes
Date Updated	3/11/2016

OPTICAL PROPERTIES

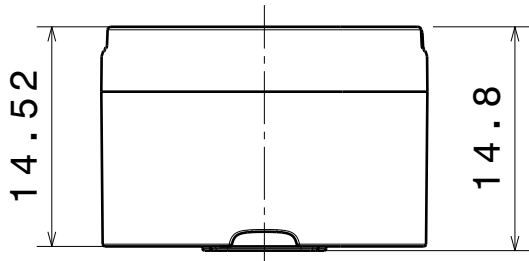
LED	Viewing Angle	Light Beam	Effi- ciency	cd/lm	Connector
LZ1 (00xW00)	sim: 40+20	O-90	-	-	-



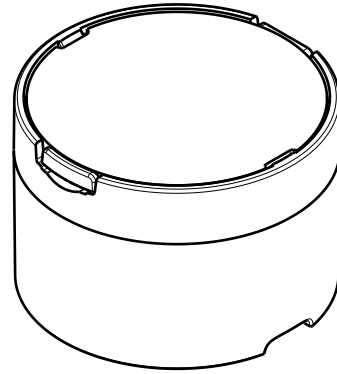
D C B A

4

4



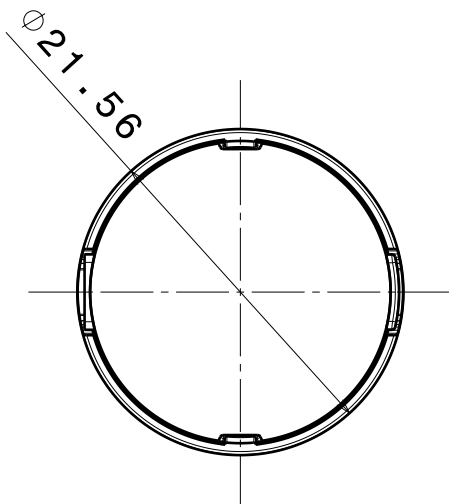
Front view



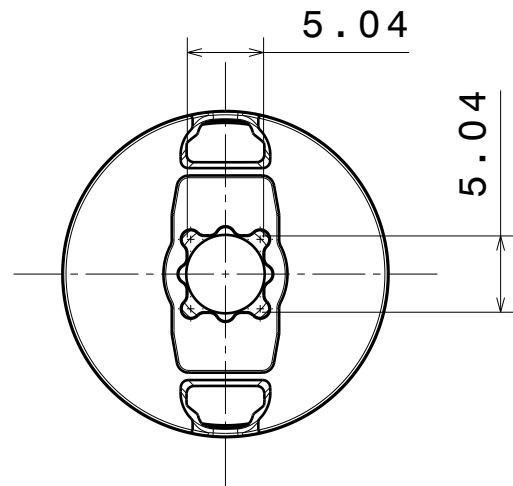
Isometric view
Scale: 2:1

3

3



Top view



Bottom view

2

2

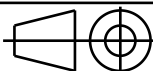
INDEX	PART NO	DESCRIPTION	MATERIAL	COLOUR
1	-	Leila-LH1 lens	PMMA	
2	C10440	LE-LH1	PC	white

Tolerances if not otherwise shown
According to DIN ISO 2768-1
Linear measures:
Up to 30mm class M, otherwise class C.
According to DIN ISO 2768-2
Form and position: class L



Ledil Oy
Salorankatu 10
FIN 24240 SALO
Finland

THIRD ANGLE PROJECTION:



DRAWING TITLE

Leila LE1 series w/o tape

This drawing is the property
of LEDiL Oy. It may not be
reproduced, copied or
communicated without a written
agreement with LEDiL Oy.

SIZE PART NUMBER

A4

-

SCALE 2:1 WEIGHT

-

SHEET 1/1

1

1

D

A

NOTE: The typical divergence will be changed by different color, chip size and chip position tolerance. The typical total divergence is the full angle measured where the luminous intensity is half of the peak value.