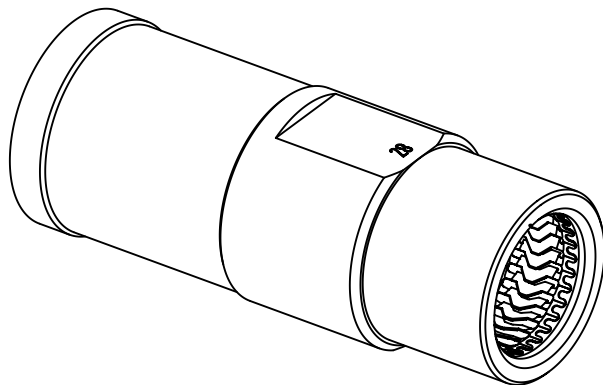


assembly notes see catalog
 crimp zone acc. to DIN EN 46235
 indicator 28
 for stranded fine wire acc. to VDE 0295 class 5 / IEC 60228 class 5
 wire gauge: 240mm²



	All Dimensions in mm Original Size DIN A4		Scale 1:1	Free size tol.		Ref.
						Sub.
	All rights reserved		Created by FINKEV	Inspected by MOOR	Standardisation SCHMIDTM	Date 2013-05-16
	Department EL PD - DE					State Final Release
HARTING Electric GmbH & Co. KG D-32339 Espelkamp			Title Han TC650 crimp contact 240mm ² F			Doc-Key / ECM-Nr. 100172501/UGD/005/B 500000061852
			Type TB	Number 09 11 000 6267		Rev. B Page 1/1