

Customer Information Sheet

DRAWING No.: Z300-902

IF IN DOUBT - ASK

©

NOT TO SCALE

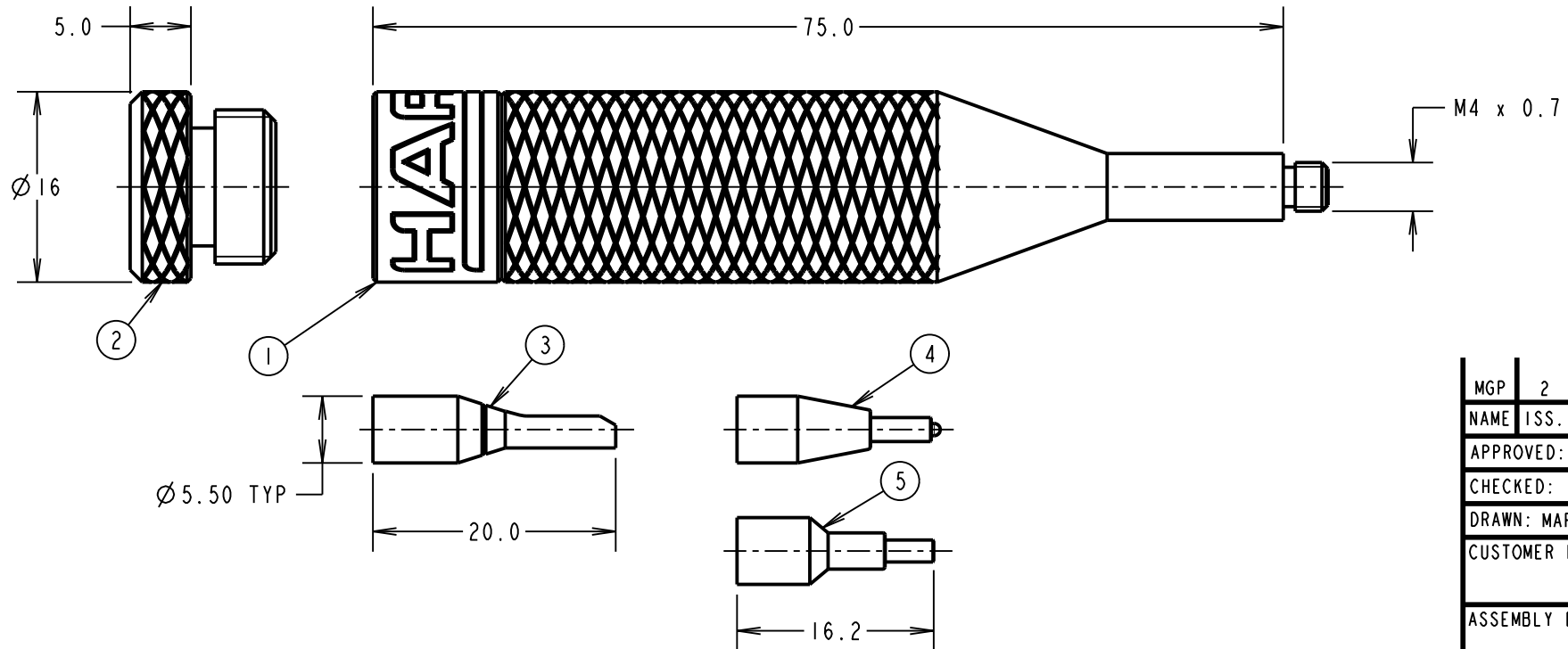
THIRD ANGLE PROJECTION

ALL DIMENSIONS IN mm

| No. | DESCRIPTION |
|-----|--------------------------------------------------|
| 1 | HANDLE BODY |
| 2 | CAP FOR HANDLE |
| 3 | INSERTION TIP $\varnothing 1.85$ MAX. INSULATION |
| 4 | REMOVAL TIP FEMALE CONTACT |
| 5 | REMOVAL TIP MALE CONTACT |

NOTES:

1. SEE INSTRUCTION SHEET IS-40 FOR INSERTION AND REMOVAL PROCEDURE.



| | | | |
|-----------------------|------|----------|--------|
| MGP | 2 | 03.10.14 | 12610 |
| NAME | ISS. | DATE | C/NOTE |
| APPROVED: MGP | | | |
| CHECKED: SB | | | |
| DRAWN: MARK G PLESTED | | | |
| CUSTOMER REF.: | | | |
| ASSEMBLY DRG: | | | |

HARWIN

www.harwin.com
technical@harwin.com

THIS DRAWING AND ANY INFORMATION OR DESCRIPTIVE MATTER SET OUT HEREON ARE CONFIDENTIAL AND COPYRIGHT PROPERTY OF THE HARWIN GROUP AND MUST NOT BE DISCLOSED, LOANED, COPIED OR USED FOR MANUFACTURING, TENDERING OR FOR ANY OTHER PURPOSE WITHOUT THEIR WRITTEN PERMISSION.

TOLERANCES

X. = ± 1 mm
X.X = ± 0.50 mm
X.XX = ± 0.10 mm
X.XXX = ± 0.01 mm
ANGLES = $\pm 5^\circ$
UNLESS STATED

MATERIAL:

FINISH:

S/AREA:

mm²

TITLE:

M300 CRIMP CONTACT
INSERTION / REMOVAL TOOL KIT

DRAWING NUMBER:

Z300-902

SHT
2 OF 2