

36V, 2μA I_Q, 200mA Low Dropout Voltage Linear Regulator

General Description

The RT9069 is a low-dropout (LDO) voltage regulators with enable function offering the benefits of high input voltage, low-dropout voltage, low-power consumption, and miniaturized packaging.

The features of low quiescent current as low as 2μA and zero disable current is ideal for powering the battery equipment to a longer service life. The RT9069 is stable with the ceramic output capacitor over its wide input range from 3.5V to 36V and the entire range of output load current (0mA to 200mA).

Applications

- Portable, Battery Powered Equipments
- Extra Low Voltage Microcontrollers
- Notebook Computers

Marking Information

For marking information, contact our sales representative directly or through a Richtek distributor located in your area.

Note :

Richtek products are :

- ▶ RoHS compliant and compatible with the current requirements of IPC/JEDEC J-STD-020.
- ▶ Suitable for use in SnPb or Pb-free soldering processes.

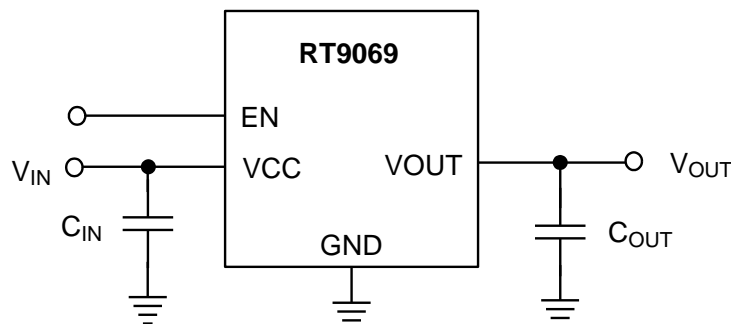
Features

- 2μA Ground Current at no Load
- ±2% Output Accuracy
- 200mA Output Current with EN
- Zero Disable Current
- Maximum Operating Input Voltage 36V
- Dropout Voltage: 0.33V at 10mA/ VIN 5V
- Support Fixed Output Voltage 2.5V, 3.3V, 5V, 9V, 12V
- Stable with Ceramic or Tantalum Capacitor
- Current Limit Protection
- Over-Temperature Protection
- RoHS Compliant and Halogen Free

Ordering Information

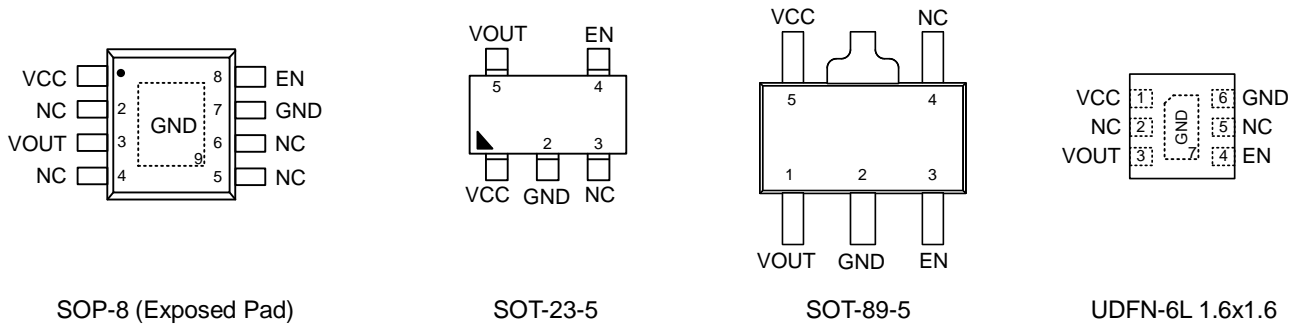
| | | |
|---------|---|--|
| RT9069- | □□□□ | |
| | Package Type | |
| | SP : SOP-8 (Exposed Pad-Option 1) | |
| | B : SOT-23-5 | |
| | X5 : SOT-89-5 | |
| | QU : UDFN-6L 1.6x1.6 (U-type) | |
| | Lead Plating System | |
| | G : Green (Halogen Free and Pb Free) | |
| | Output Voltage | |
| | 25 : 2.5V | |
| | 30 : 3V | |
| | 33 : 3.3V | |
| | 50 : 5V | |
| | 90 : 9V | |
| | C0 : 12V | |
| | Special Request: Any Voltage between 2.5V and 12V under specific business agreement | |

Simplified Application Circuit



Pin Configurations

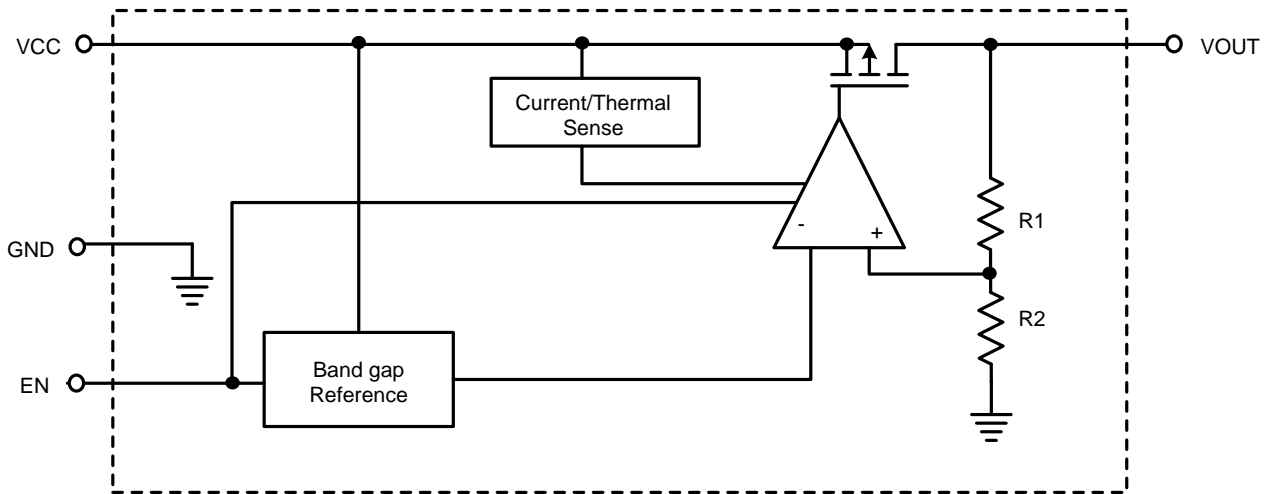
(TOP VIEW)



Functional Pin Description

| Pin No. | | | | Pin Name | Pin Function |
|------------------------|----------|----------|-----------------------|----------|---|
| SOP-8 (Exposed Pad) | SOT-23-5 | SOT-89-5 | UDFN-6L 1.6x1.6 | | |
| 1 | 1 | 5 | 1 | VCC | Supply Voltage Input. |
| 2, 4, 5, 6 | 3 | 4 | 2, 5 | NC | No Internal Connection. |
| 3 | 5 | 1 | 3 | VOUT | Output of the Regulator. |
| 7, 9 (Exposed Pad) | 2 | 2 | 6, 7 (Exposed Pad) | GND | Ground. The exposed pad must be soldered to a large PCB and connected to GND for maximum thermal dissipation. |
| 8 | 4 | 3 | 4 | EN | Enable Control Input. |

Function Block Diagram



Operation

Basic Operation

The RT9069 is a high input voltage linear regulator designed especially for low external component systems. The input voltage range is from 3.5V to 36V.

Output Transistor

The RT9069 builds in a P-MOSFET output transistor which provides a low switch-on resistance for low dropout voltage applications.

Error Amplifier

The Error Amplifier compares the internal reference voltage with the output feedback voltage from the internal divider, and controls the Gate voltage of P-MOSFET to support good line regulation and load regulation at output voltage.

Enable

The RT9069 delivers the output power when it is set to enable state. When it works in disable state, there is no output power and the operation quiescent current is zero.

Current Limit Protection

The RT9069 provides current limit function to prevent the device from damages during over-load or shorted-circuit conditions. This current is detected by an internal sensing transistor.

Over-Temperature Protection

The over-temperature protection function turns off the P-MOSFET when the junction temperature exceeds 150°C (typ.) and the output current exceeds 4mA. Once the junction temperature cools down by approximately 20°C, the regulator automatically resumes operation.

Absolute Maximum Ratings (Note 1)

- VCC, EN to GND ----- -0.3V to 40V
- VOUT to VCC ----- -40V to 0.3V
- VOUT to GND
 - RT9069-90/RT9069-C0 ----- -0.3V to 15V
 - RT9069-25/RT9069-30/RT9069-33/RT9069-50 ----- -0.3V to 6V
- Power Dissipation, P_D @ $T_A = 25^\circ\text{C}$
 - SOP-8 (Exposed Pad) ----- 3.26W
 - SOT-23-5 ----- 0.45W
 - SOT-89-5 ----- 0.87W
 - UDFN-6L 1.6x1.6 ----- 2.15W
- Package Thermal Resistance (Note 2)
 - SOP-8 (Exposed Pad), θ_{JA} ----- 30.6°C/W
 - SOP-8 (Exposed Pad), θ_{JC} ----- 3.4°C/W
 - SOT-23-5, θ_{JA} ----- 218.1°C/W
 - SOT-89-5, θ_{JA} ----- 113.9°C/W
 - UDFN-6L 1.6x1.6, θ_{JA} ----- 46.5°C/W
- Lead Temperature (Soldering, 10 sec.) ----- 260°C
- Junction Temperature ----- 150°C
- Storage Temperature Range ----- -65°C to 150°C
- ESD Susceptibility (Note 3)
 - HBM (Human Body Model) ----- 2kV

Recommended Operating Conditions (Note 4)

- Supply Input Voltage ----- 3.5V to 36V
- Junction Temperature Range ----- -40°C to 125°C
- Ambient Temperature Range ----- -40°C to 85°C

Electrical Characteristics

($V_{CC} = 5V$, $C_{IN} = 1\mu F$, $T_A = 25^\circ\text{C}$, for each LDO unless otherwise specified)

| Parameter | Symbol | Test Conditions | Min | Typ | Max | Unit |
|-------------------------|------------------|--|-----|-----|------|---------------|
| Supply Voltage | V_{CC} | | 3.5 | -- | 36 | V |
| Output Voltage Range | V_{OUT} | | 2.5 | -- | 12 | V |
| DC Output Accuracy | ΔV_{OUT} | $I_{LOAD} = 10\text{mA}$ | -2 | -- | +2 | % |
| Dropout Voltage | V_{DROP} | $I_{LOAD} = 10\text{mA}$, $V_{CC} > 5V$ | -- | 0.2 | 0.36 | V |
| VCC Consumption Current | I_Q | $I_{LOAD} = 0\text{mA}$, $V_{OUT} \leq 5.5V$ | -- | 2 | 3.5 | μA |
| | | $I_{LOAD} = 0\text{mA}$, $V_{OUT} > 5.5V$, $V_{CC} = 15V$ | -- | 3.5 | 5 | μA |

| Parameter | Symbol | Test Conditions | Min | Typ | Max | Unit |
|------------------------------|-------------------|--|-----|------|-----|-------------|
| Shutdown Current | | $V_{EN} = 0V$ | -- | 0.1 | -- | μA |
| Shutdown Leakage Current | | $V_{EN} = 0V, V_{OUT} = 0V$ | -- | 0.1 | -- | μA |
| EN Input Current | I_{EN} | $V_{EN} = 36V$ | -- | 0.1 | -- | μA |
| Line Regulation | ΔV_{LINE} | $I_{LOAD} = 1mA, V_{OUT+1} < V_{CC} < 36V$ | -- | 0.04 | 0.5 | % |
| Load Regulation | ΔV_{LOAD} | $0mA < I_{LOAD} < 100mA$ | -1 | -- | 1 | % |
| Output Current Limit | I_{LIM} | $V_{OUT} = 0.5 \times V_{OUT(normal)}$ | 200 | 350 | -- | mA |
| Enable Input Voltage | Logic-High | V_{IH} | -- | -- | 2 | V |
| | Logic-Low | V_{IL} | 0.6 | -- | -- | |
| Thermal Shutdown Temperature | T_{SD} | $I_{LOAD} = 30mA$ | -- | 150 | -- | $^{\circ}C$ |
| Thermal Shutdown Hysteresis | ΔT_{SD} | | -- | 20 | -- | $^{\circ}C$ |

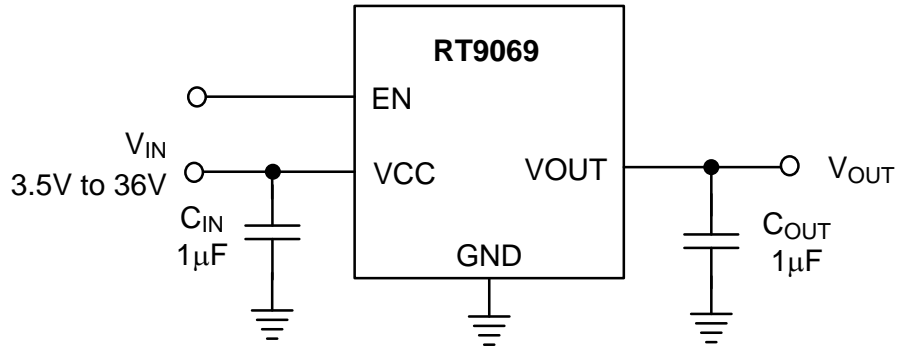
Note 1. Stresses beyond those listed “Absolute Maximum Ratings” may cause permanent damage to the device. These are stress ratings only, and functional operation of the device at these or any other conditions beyond those indicated in the operational sections of the specifications is not implied. Exposure to absolute maximum rating conditions may affect device reliability.

Note 2. θ_{JA} is measured at $T_A = 25^{\circ}C$ on a high effective thermal conductivity four-layer test board per JEDEC 51-7. θ_{JC} is measured at the exposed pad of the package.

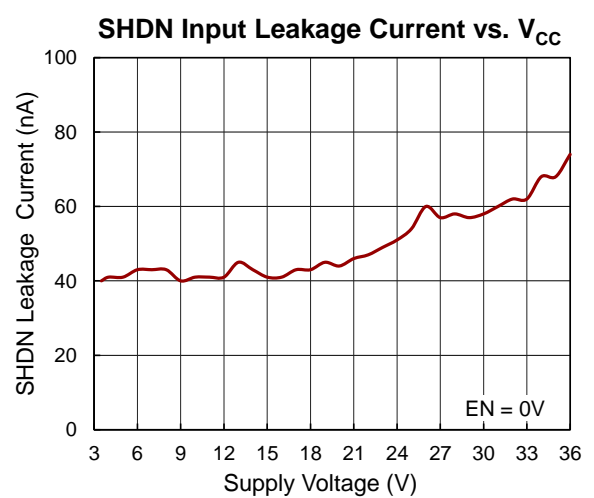
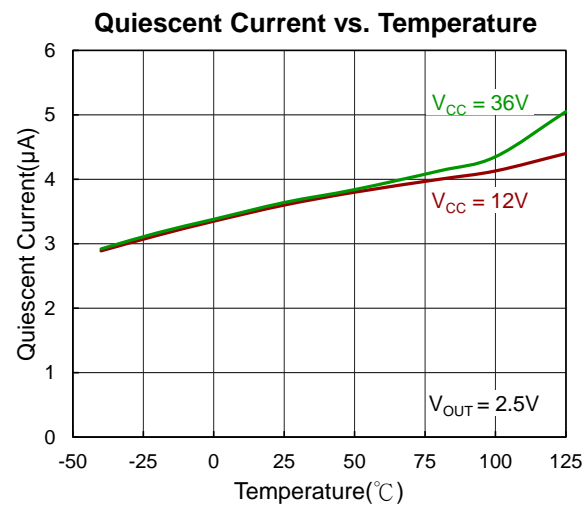
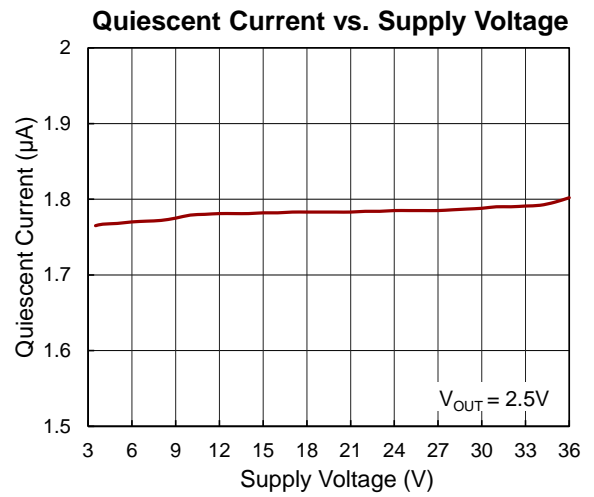
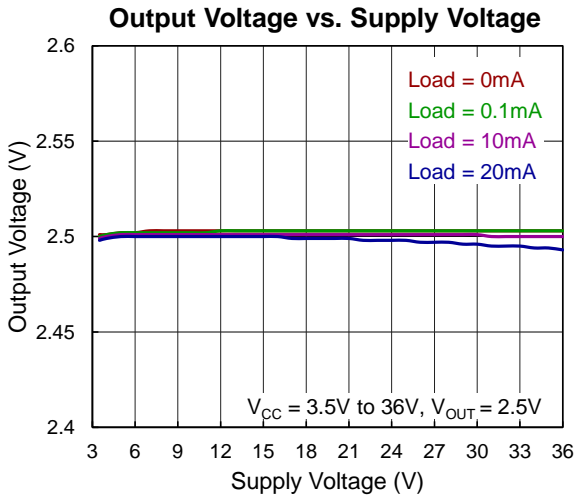
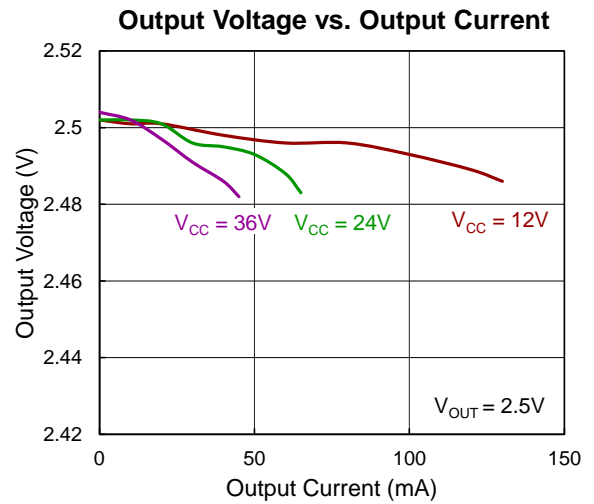
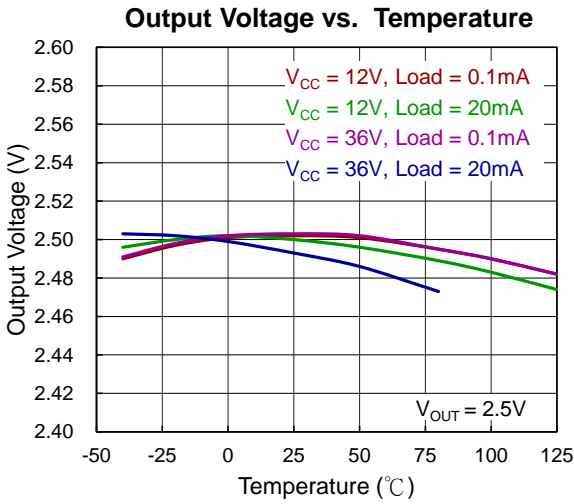
Note 3. Devices are ESD sensitive. Handling precaution is recommended.

Note 4. The device is not guaranteed to function outside its operating conditions.

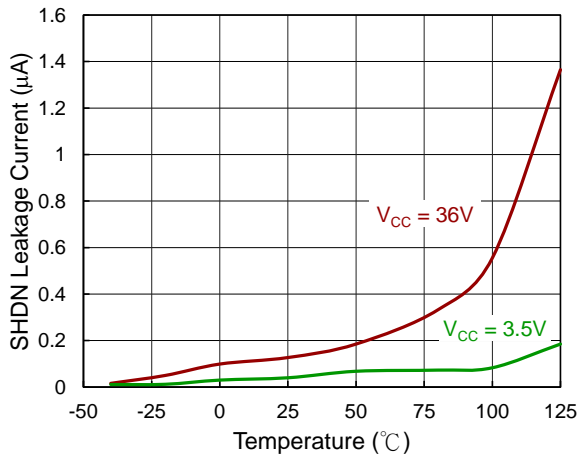
Typical Application Circuit



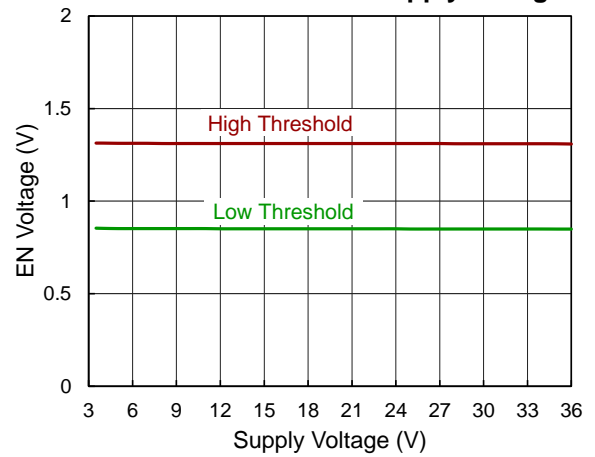
Typical Operating Characteristics



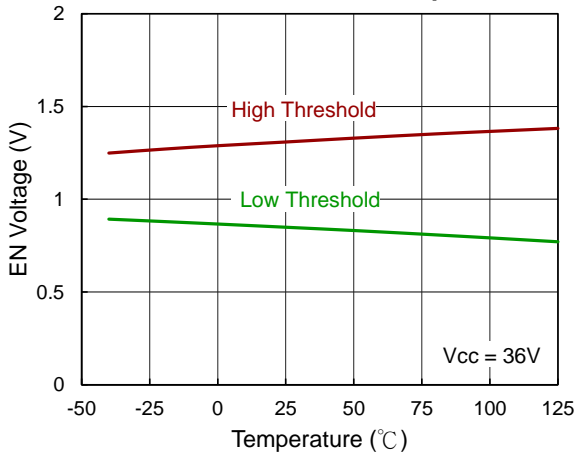
SHDN Leakage Input Current vs. Temp.



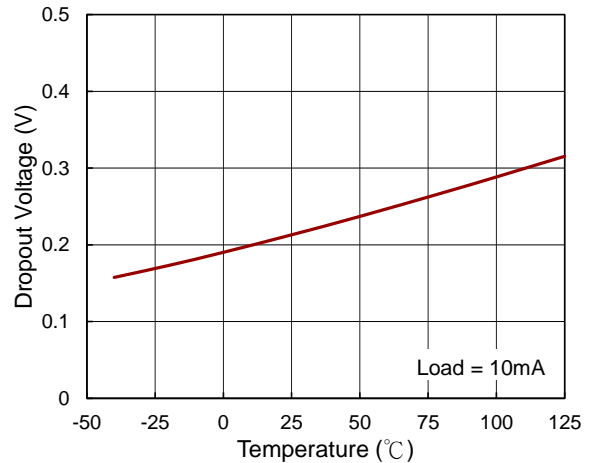
Enable Threshold vs. Supply Voltage



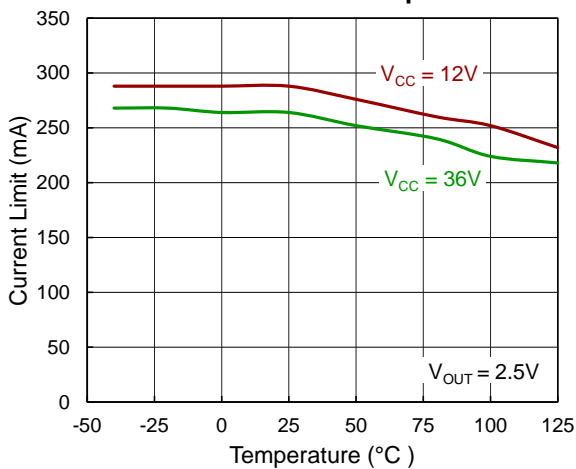
Enable Threshold vs. Temperature



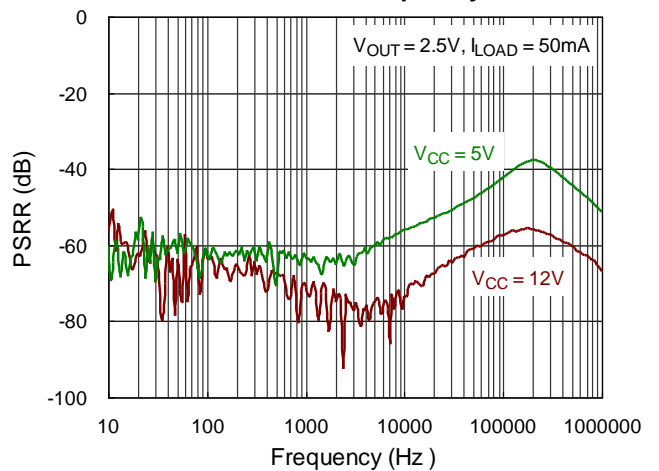
Dropout Voltage vs. Temperature

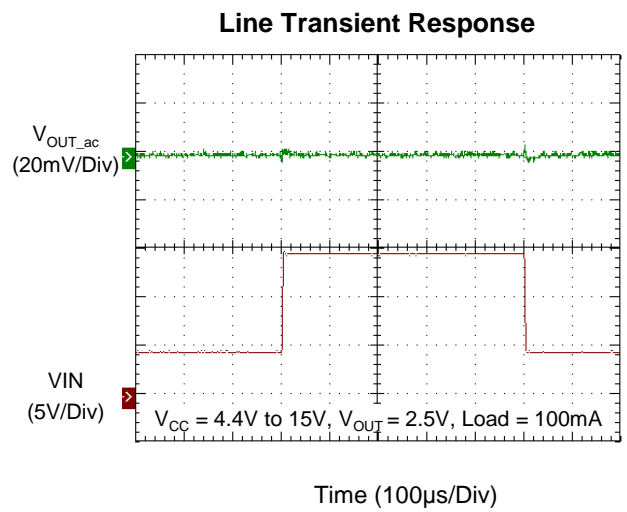
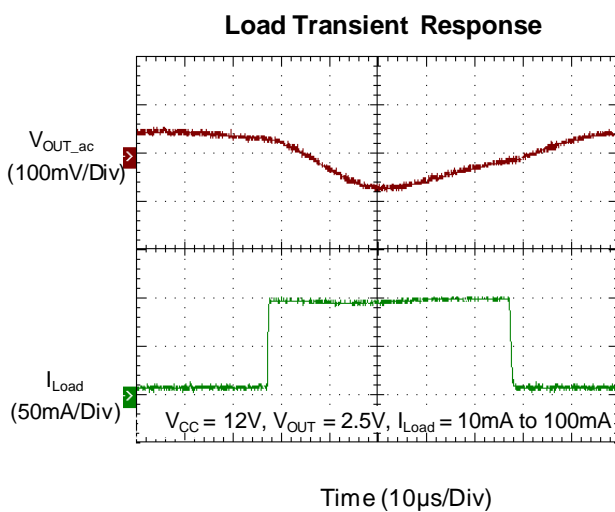
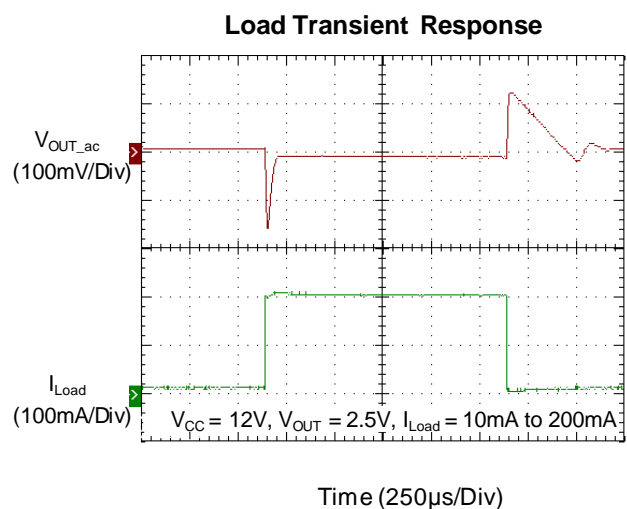
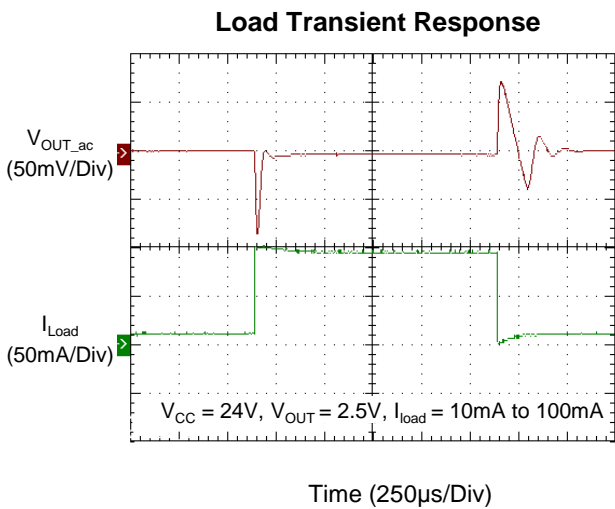
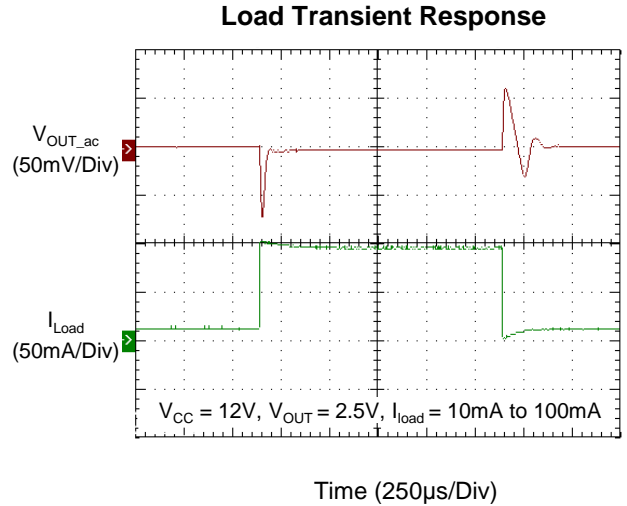
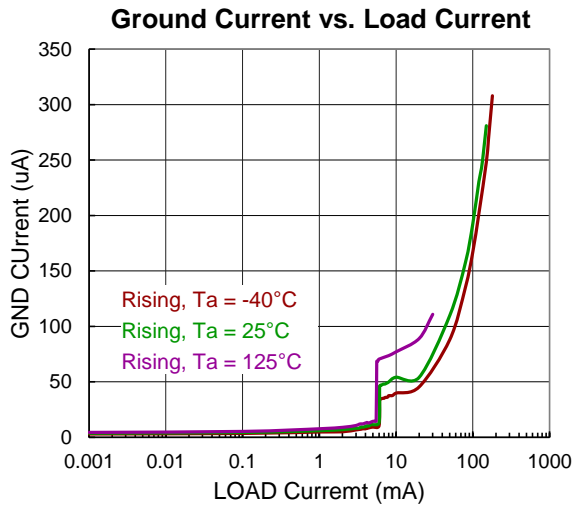


Current Limit vs. Temperature

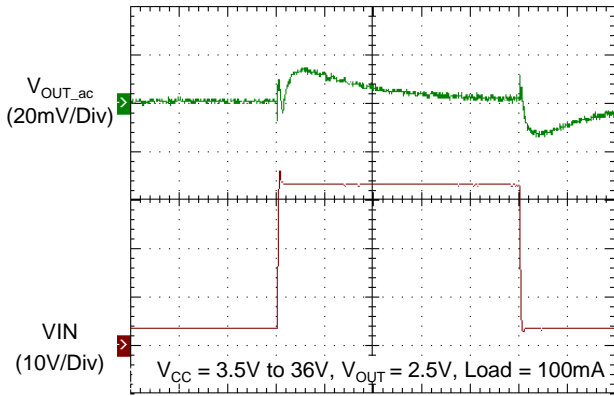


PSRR vs. Frequency



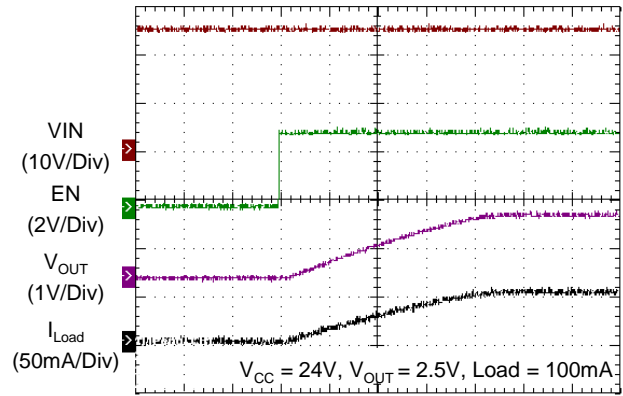


Line Transient Response



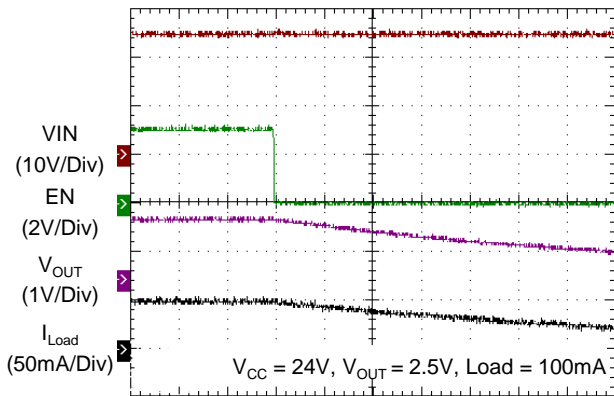
Time (100 μ s/Div)

Power On from EN



Time (25 μ s/Div)

Power Off from EN



Time (25 μ s/Div)

Application Information

Thermal Considerations

For continuous operation, do not exceed absolute maximum junction temperature. The maximum power dissipation depends on the thermal resistance of the IC package, PCB layout, rate of surrounding airflow, and difference between junction and ambient temperature. The maximum power dissipation can be calculated by the following formula :

$$P_{D(MAX)} = (T_{J(MAX)} - T_A) / \theta_{JA}$$

where $T_{J(MAX)}$ is the maximum junction temperature, T_A is the ambient temperature, and θ_{JA} is the junction to ambient thermal resistance.

For recommended operating condition specifications, the maximum junction temperature is 125°C. The junction to ambient thermal resistance, θ_{JA} , is layout dependent. For SOP-8 (Exposed Pad) packages, the thermal resistance, θ_{JA} , is 30.6°C/W on a standard JEDEC 51-7 four-layer thermal test board. For SOT-23-5 package, the thermal resistance, θ_{JA} , is 218.1°C/W on a standard JEDEC 51-7 four-layer thermal test board. For SOT-89-5 package, the thermal resistance, θ_{JA} , is 113.9°C/W on a standard JEDEC 51-7 four-layer thermal test board. For UDFN-6L 1.6x1.6 package, the thermal resistance, θ_{JA} , is 46.5°C/W on a standard JEDEC 51-7 four-layer thermal test board. The maximum power dissipation at $T_A = 25^\circ\text{C}$ can be calculated by the following formula :

$$P_{D(MAX)} = (125^\circ\text{C} - 25^\circ\text{C}) / (30.6^\circ\text{C/W}) = 3.2679\text{W for SOP-8 (Exposed Pad) package}$$

$$P_{D(MAX)} = (125^\circ\text{C} - 25^\circ\text{C}) / (218.1^\circ\text{C/W}) = 0.4585\text{W for SOT-23-5 package}$$

$$P_{D(MAX)} = (125^\circ\text{C} - 25^\circ\text{C}) / (113.9^\circ\text{C/W}) = 0.8779\text{W for SOT-89-5 package}$$

$$P_{D(MAX)} = (125^\circ\text{C} - 25^\circ\text{C}) / (46.5^\circ\text{C/W}) = 2.15\text{W for UDFN-6L 1.6x1.6 package}$$

The maximum power dissipation depends on the operating ambient temperature for fixed $T_{J(MAX)}$ and thermal resistance, θ_{JA} . The derating curve in Figure 1 allows the designer to see the effect of rising ambient temperature on the maximum power dissipation

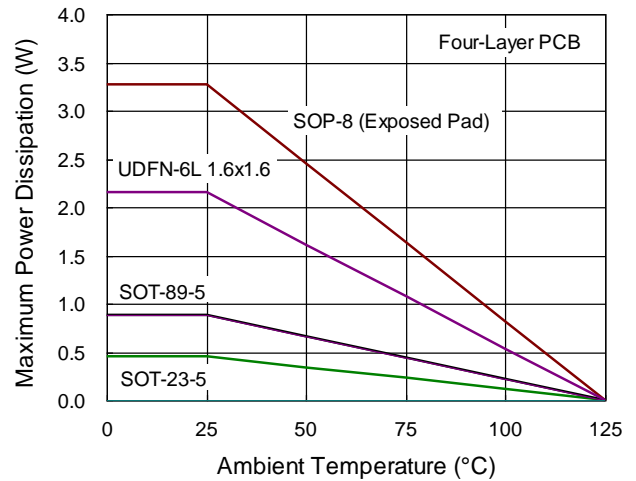
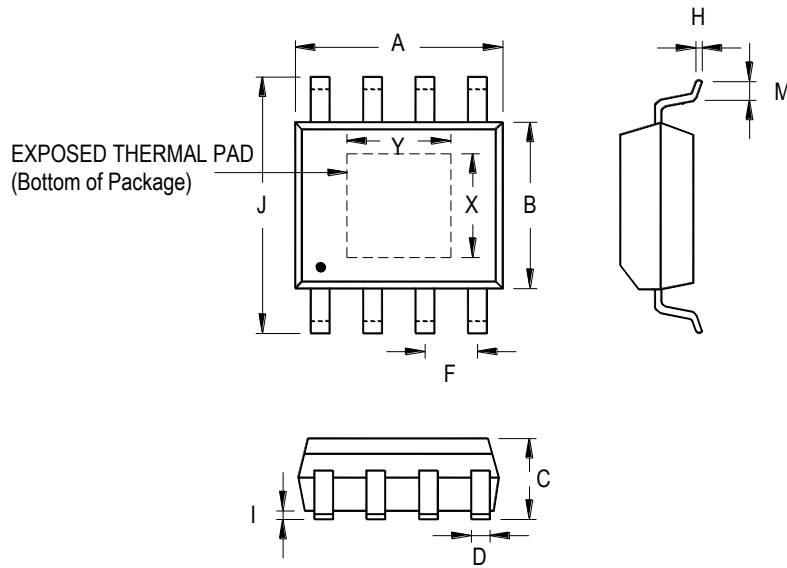


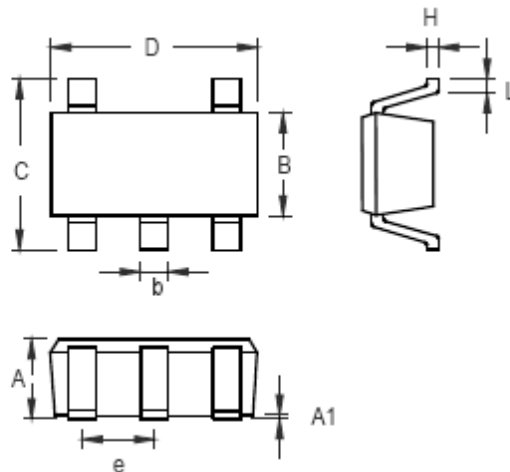
Figure 1. Derating Curve of Maximum Power Dissipation

Outline Dimension



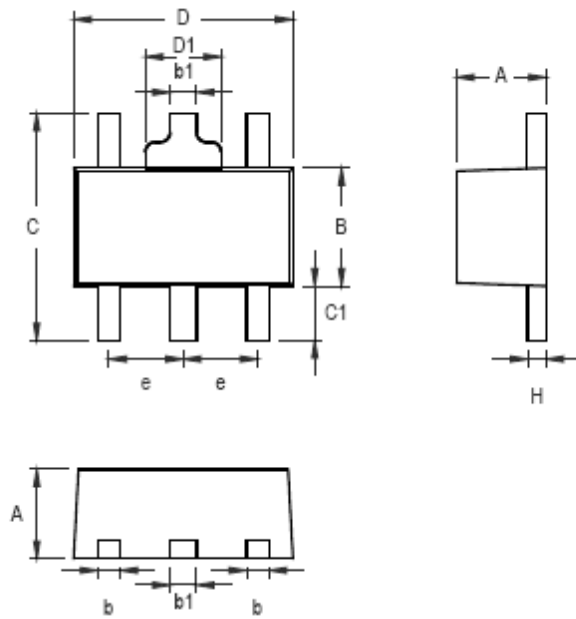
| Symbol | Dimensions In Millimeters | | Dimensions In Inches | |
|--------|---------------------------|-------|----------------------|-------|
| | Min | Max | Min | Max |
| A | 4.801 | 5.004 | 0.189 | 0.197 |
| B | 3.810 | 3.988 | 0.150 | 0.157 |
| C | 1.346 | 1.753 | 0.053 | 0.069 |
| D | 0.330 | 0.508 | 0.013 | 0.020 |
| F | 1.194 | 1.346 | 0.047 | 0.053 |
| H | 0.170 | 0.254 | 0.007 | 0.010 |
| I | 0.050 | 0.254 | 0.002 | 0.010 |
| J | 5.791 | 6.200 | 0.228 | 0.244 |
| M | 0.400 | 1.270 | 0.016 | 0.050 |

8-Lead SOP (Exposed Pad) Plastic Package



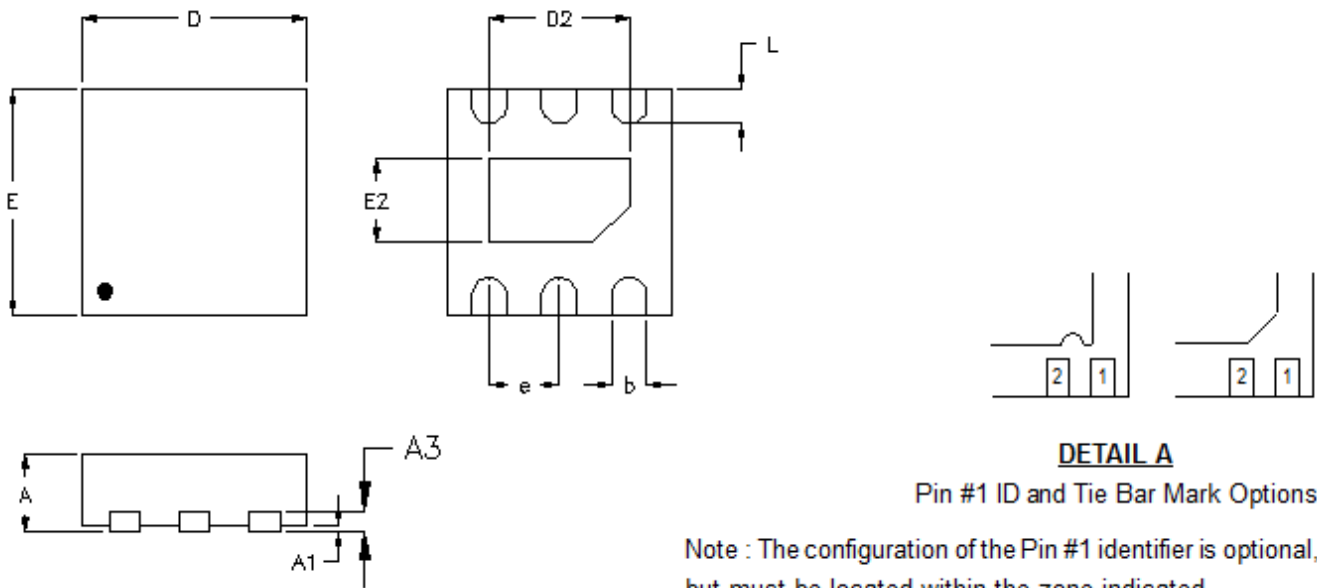
| Symbol | Dimensions In Millimeters | | Dimensions In Inches | |
|--------|---------------------------|-------|----------------------|-------|
| | Min | Max | Min | Max |
| A | 0.889 | 1.295 | 0.035 | 0.051 |
| A1 | 0.000 | 0.152 | 0.000 | 0.006 |
| B | 1.397 | 1.803 | 0.055 | 0.071 |
| b | 0.356 | 0.559 | 0.014 | 0.022 |
| C | 2.591 | 2.997 | 0.102 | 0.118 |
| D | 2.692 | 3.099 | 0.106 | 0.122 |
| e | 0.838 | 1.041 | 0.033 | 0.041 |
| H | 0.080 | 0.254 | 0.003 | 0.010 |
| L | 0.300 | 0.610 | 0.012 | 0.024 |

SOT-23-5 Surface Mount Package



| Symbol | Dimensions In Millimeters | | Dimensions In Inches | |
|--------|---------------------------|-------|----------------------|-------|
| | Min | Max | Min | Max |
| A | 1.400 | 1.600 | 0.055 | 0.063 |
| b | 0.360 | 0.508 | 0.014 | 0.020 |
| B | 2.400 | 2.600 | 0.094 | 0.102 |
| b1 | 0.406 | 0.533 | 0.016 | 0.021 |
| C | 3.937 | 4.250 | 0.155 | 0.167 |
| C1 | 0.800 | 1.194 | 0.031 | 0.047 |
| D | 4.400 | 4.600 | 0.173 | 0.181 |
| D1 | 1.397 | 1.700 | 0.055 | 0.067 |
| e | 1.400 | 1.600 | 0.055 | 0.063 |
| H | 0.356 | 0.430 | 0.014 | 0.017 |

5-Lead SOT-89 Surface Mount Package



| Symbol | Dimensions In Millimeters | | Dimensions In Inches | |
|--------|---------------------------|-------|----------------------|-------|
| | Min. | Max. | Min. | Max. |
| A | 0.500 | 0.600 | 0.020 | 0.024 |
| A1 | 0.000 | 0.050 | 0.000 | 0.002 |
| A3 | 0.100 | 0.175 | 0.004 | 0.007 |
| b | 0.200 | 0.300 | 0.008 | 0.012 |
| D | 1.500 | 1.700 | 0.059 | 0.067 |
| D2 | 0.950 | 1.050 | 0.037 | 0.041 |
| E | 1.500 | 1.700 | 0.059 | 0.067 |
| E2 | 0.550 | 0.650 | 0.022 | 0.026 |
| e | 0.500 | | 0.020 | |
| L | 0.200 | 0.300 | 0.008 | 0.012 |

U-Type 6L DFN 1.6x1.6 Package

Richtek Technology Corporation

14F, No. 8, Tai Yuen 1st Street, Chupei City
Hsinchu, Taiwan, R.O.C.
Tel: (8863)5526789

Richtek products are sold by description only. Richtek reserves the right to change the circuitry and/or specifications without notice at any time. Customers should obtain the latest relevant information and data sheets before placing orders and should verify that such information is current and complete. Richtek cannot assume responsibility for use of any circuitry other than circuitry entirely embodied in a Richtek product. Information furnished by Richtek is believed to be accurate and reliable. However, no responsibility is assumed by Richtek or its subsidiaries for its use; nor for any infringements of patents or other rights of third parties which may result from its use. No license is granted by implication or otherwise under any patent or patent rights of Richtek or its subsidiaries.

Copyright © 2014 Richtek Technology Corporation. All rights reserved. **RICHTEK** is a registered trademark of Richtek Technology Corporation.